



# s.195 NPT & flare

3/8" - 1"  
standard port gas cock



## Quality

- 24h 100% seal test guaranteed
- Dual sealing system allows valve to be operated in either direction making installation easier
- No metal-to-metal moving parts
- No maintenance ever required
- Handle clearly shows ball position
- Silicone-free lubricant on all seals
- Handle stops on body to avoid stresses at stem
- Chrome plated brass ball for longer life

## Body

- Hot forged sand blasted, unplated brass body and cap sealed with Loctite® or equivalent thread sealant
- Finest brass according to EN 12165 and EN 12164 specifications

## Stem

- Blowout-proof nickel plated brass stem
- Maintenance-free, double FPM O-rings at the stem for maximum safety

## Sealing

- Pure PTFE self-lubricating seats with flexible-lip design

## Threads

- NPT taper ANSI B.1.20.1 female by female threads

## Flow

- Standard port for compact design

## Handle

- Aluminum wedge handle enameled red
- **WARNING:** do not exceed reasonable temperature and/or electrical load
- Handle removable with valve in service



## Working pressure & temperature

- 450 PSI (30 bar) non-shock cold working pressure
- 250 PSI (17 bar) non-shock working pressure for LP-Gas
- -40°F to +350°F (-40°C / +170°C)
- **WARNING:** freezing of the fluid in the installation may severely damage the valve

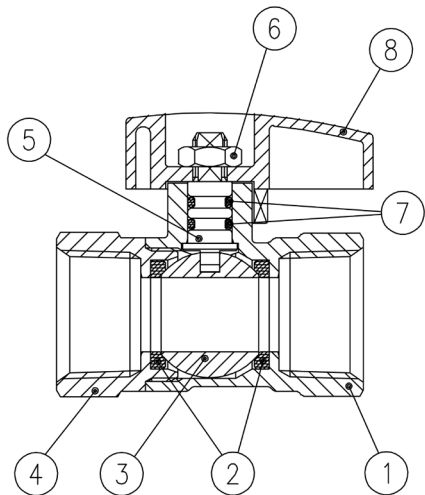
## Options

- Stem extension
- T-handle
- Stainless steel handle (1.4016 / AISI 430)
- 3/8" through 1" NPT female by NPT female (suffix 41)
- 3/8", 1/2" and 5/8" flare by flare (suffix 30)
- 1/2" NPT female by 1/2" flare (suffix 31)
- 1/2" NPT male by 1/2" flare (suffix 34)
- 1/2" NPT male by 3/8" flare (suffix 34)
- 1/2" NPT female by 3/8" flare (suffix 33)
- 1/2" flare by 3/8" flare (suffix 32)
- 1/8" NPT side tap for some versions/ sizes

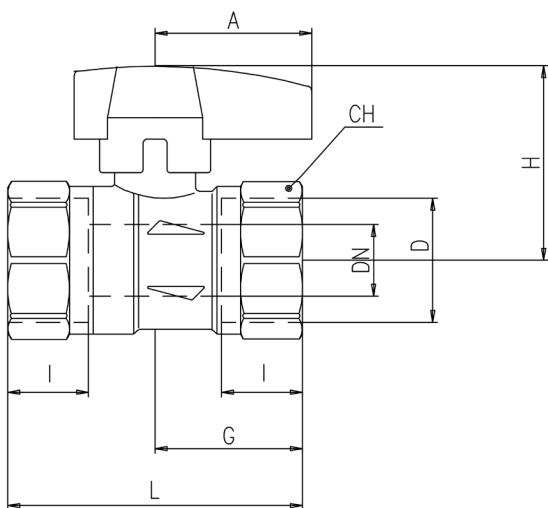
## Approved by or in compliance with

- Underwriters Laboratories (United States, Canada):
  - Guide YSDT: LP-Gas shut-off valve
  - Guide YRBX: Flammable liquid shut-off valve
  - Guide YRPV: Gas shut-off valve for use with natural and manufactured gases
  - Guide MHKZ: No. 6 oil at 250°F
- GOST-R (Russia)
- Canadian standards Association (United States, Canada)
- RoHS Complaint (Russia)
- Meeting WW-V-35C Federal U.S. Specification (United States)

**NOTE:** approvals apply to specific configurations/sizes only..



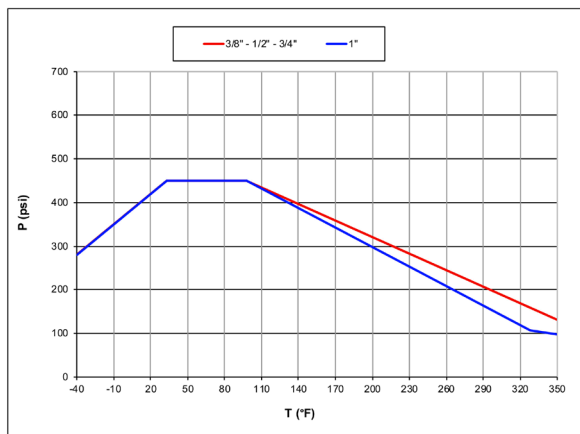
Part description	Q.ty	Material
1 Sand blasted unplated body	1	CW617N
2 Seat	2	PTFE
3 Chrome plated ball	1	CW617N
4 Sand blasted unplated end-cap	1	CW617N
5 Nickel plated stem O-ring design	1	CW617N
6 Geomet® nut	1	CB4FF (EN10263-2)
7 O-Ring	2	FPM
8 Red T-handle	1	EN AC- 46100



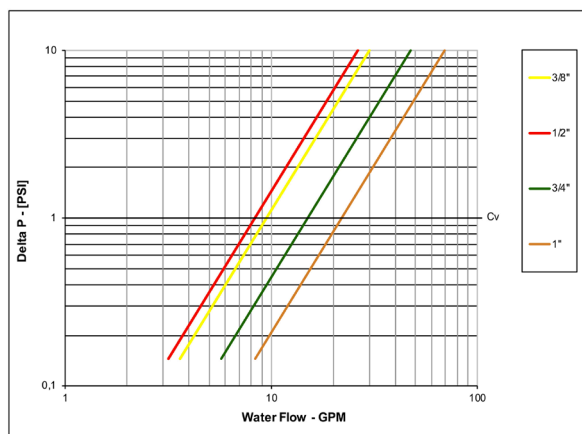
DN shows the nominal flow diameter.

Code	195C41	195D41	195E41	195F41
D (inch)	3/8	1/2	3/4	1
DN (inch)	0.393	0.453	0.590	0.787
I (inch)	0.472	0.610	0.669	0.827
L (inch)	1.772	2.126	2.441	2.835
G (inch)	0.886	1.043	1.220	1.417
A (inch)	1.299	1.299	1.299	1.299
H (inch)	1.437	1.535	1.614	1.752
CH (inch)	0.787	0.984	1.220	1.496
Cv (GPM)	9.5	8.3	15.0	22.0

**Pressure-temperature chart**



**Pressure drop chart**



**WARNING:** This product can expose you to chemicals including lead which is known to the state of California to cause cancer and birth defects or other reproductive harm. For more information go to [www.P65Warnings.ca.gov](http://www.P65Warnings.ca.gov)

XCE195 - 4314

RuB, Inc. - [www.rubinc.com](http://www.rubinc.com)