



# s.130 NPT stainless steel

1/4" - 4"  
1000 PSI



## Quality

- Dual sealing system allows valve to be operated in either direction making installation easier
- Handle clearly shows ball position
- Silicone-free lubricant on all seals
- Test standard API 598
- NACE compliance MR-01-75
- Handle stops on body to avoid stresses at stem

## Body

- CF8M stainless steel body and cap

## Stem

- Blowout-proof stainless steel stem

## Sealing

- Glass filled PTFE seats

## Threads

- NPT taper ANSI B.1.20.1 female by female threads

## Flow

- 100% full port for maximum flow

## Handle

- Plastic coated stainless steel lockable handle. Handle coating offers both thermal and electrical protection
- **WARNING:** do not exceed reasonable temperature and/or electrical load

## Working pressure & temperature

- 1000 PSI non-shock cold working pressure
- 150 PSI WSP steam rating
- 2x 10<sup>-2</sup> torr vacuum rating
- \*150 psig non-shock working steam pressure. Not suitable for throttling steam.
- -50°F to +450°F
- **WARNING:** freezing of the fluid in the installation may severely damage the valve

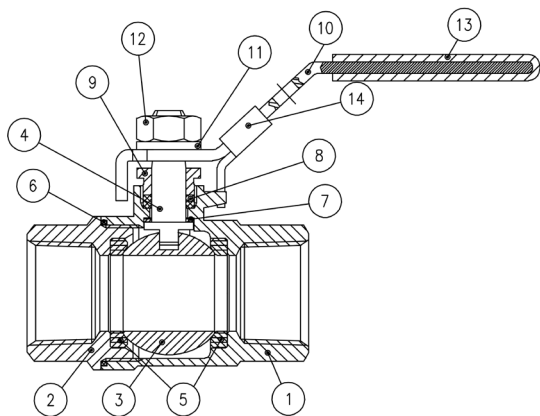
## Upon request

- Oval lockable handle up to 2"

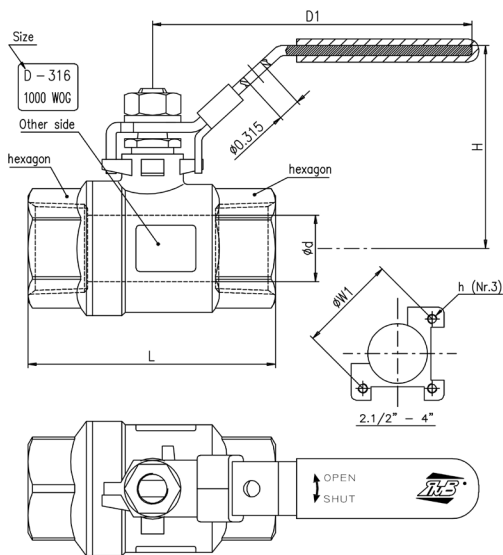
## Approved by or in compliance with

- GOST-R (Russia)

**NOTE:** approvals apply to specific configurations/sizes only.



	Part description	Q.ty	Material
1	Body	1	A351-CF8M
2	Cap	1	A351-CF8M
3	Ball	1	A351-CF8M
4	Stem	1	A276 Gr. 316
5	Seat	2	PTFE +15% G/F
6	Gasket	1	PTFE
7	Thrust washer	1	PTFE
8	Packing	1	PTFE
9	Gland	1	A194 Gr.8
10	Lockable handle	1	A240 SS304
11	Lock washer	1	A493 SS304
12	Handle nut	1	A194 Gr.8
13	Handle sleeve	1	Vinyl grip
14	Locking plate	1	A240 SS304

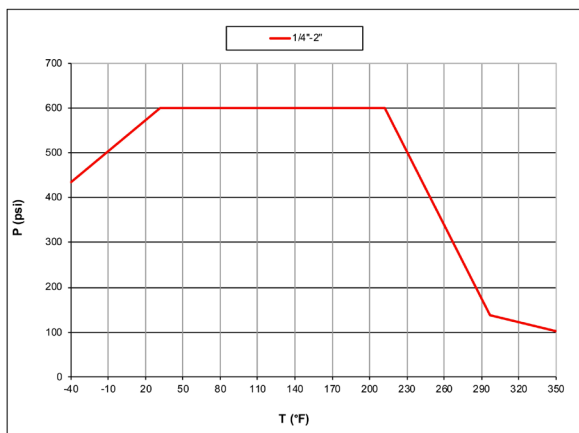


Code	130B41	130C41	130D41	130E41	130F41	130G41	130H41	130I41	130L41	130M41	130N41
D (Size)	1/4"	3/8"	1/2"	3/4"	1"	1 1/4"	1 1/2"	2"	2 1/2"	3"	4"
d (inch)	0.433	0.492	0.591	0.787	0.984	1.26	1.496	1.969	2.559	3.15	3.937
L (inch)	2.276	2.276	2.429	2.76	3.201	3.78	4.429	4.961	6.634	7.535	8.524
H (inch)	2.252	2.252	2.327	2.463	2.783	3	3.508	3.864	4.354	4.882	6.732
D1 (inch)	4.055	4.055	4.055	4.055	5	5	6.024	7.598	7.598	10.985	13.189
W1 (inch)	N/A	N/A	N/A	N/A	N/A	N/A	N/A	N/A	2.756	4.016	4.016
h	N/A	N/A	N/A	N/A	N/A	N/A	N/A	N/A	M8x1.25	M10x1.5	M10x1.5
Cv (GPM)	12	16	20	42	65	101	144	250	422	640	1000

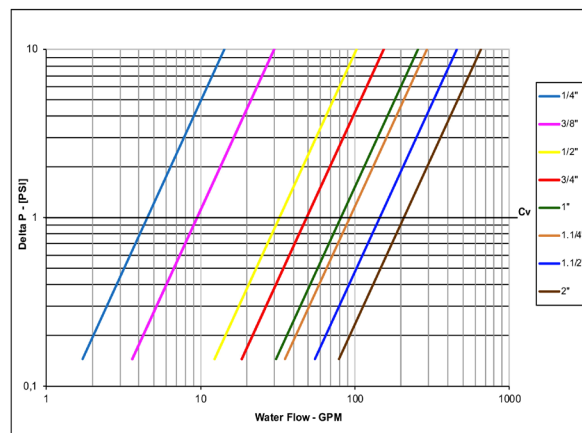
**Water flow ratings**

Size	1/4"	3/8"	1/2"	3/4"	1"	1 1/4"	1 1/2"	2"	2 1/2"	3"	4"
CV	12	16	20	42	65	101	144	250	422	640	1000

**Pressure-temperature chart**



**Pressure drop chart**



**WARNING:** This product can expose you to chemicals including lead which is known to the state of California to cause cancer and birth defects or other reproductive harm. For more information go to [www.P65Warnings.ca.gov](http://www.P65Warnings.ca.gov)

XCE130 - 4266