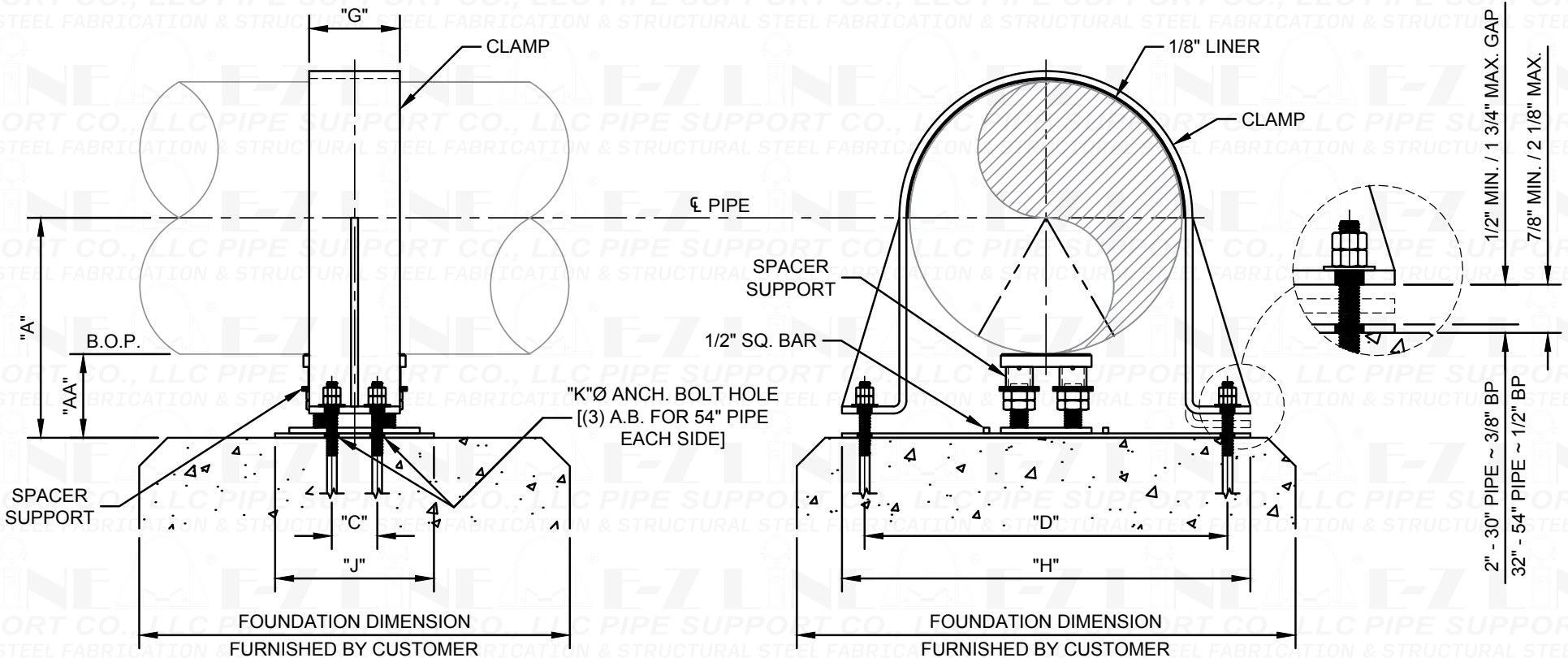


CSPB-01

PIPE CLAMP W/ SPACER & BASE PLATE ASSEMBLY



ELEVATION AT PIPE SUPPORT

SECTION THRU PIPE AT SUPPORT