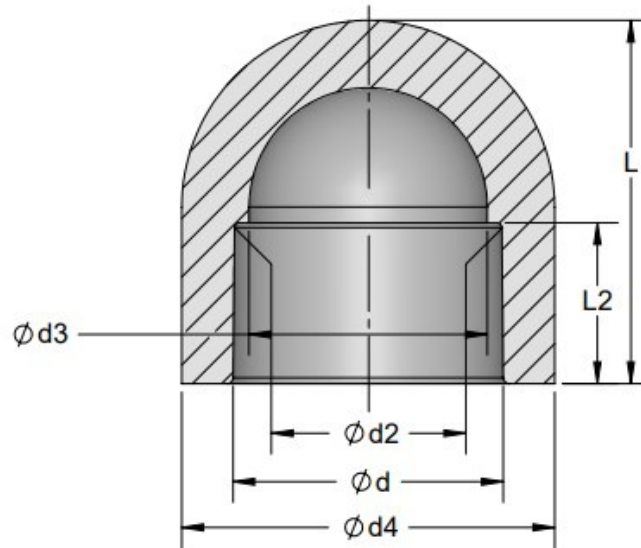


SOCKET FITTINGS END CAPS: PE2708, CTS

- Meets ASTM D2513
- Approval: ASTM D2683
- Certified to CSA B137.4
- Approval: IAPMO

| Main Size (inch) | GF Code | weight (lb) | d (inch) | d2 (inch) | d3 (inch) | d4 (inch) | L (inch) | L2 (inch) | Box Qty |
|---------------------|-------------|----------------|-------------|--------------|--------------|--------------|-------------|--------------|---------|
| 0.5 | 360 002 112 | 0.0 | 0.59 | 0.57 | 0.52 | 1.09 | 1.32 | 0.67 | 100 |
| 1 | 360 002 117 | 0.0 | 1.08 | 1.07 | 0.96 | 1.46 | 1.82 | 0.98 | 100 |



The technical data are not binding. They neither constitute expressly warranted characteristics nor guaranteed properties nor a guaranteed durability. They are subject to modification. Our General Terms of Sale apply.

Georg Fischer Piping Systems Ltd, Postfach, CH-8201 Schaffhausen/Switzerland Phone +41 -(0)52-631 1111 e-mail: info.ps@georgfischer.com Internet: <http://www.gfps.com>