



Built on Quality - Focused on Innovation

PRODUCT CATALOG

TABLE OF CONTENTS

Curb Boxes & Valve Boxes

Pages 1-37

1" and 1¼" CURB BOX 2-3

Eclipse Box 2-3

2½" CURB BOX 4-8

Cast Iron Curb Box 4

Plastic Curb Box 5

NEW Bison Curb Box 6

Combination Cast Iron & Plastic (CIP) Curb Box 7

Additional Rims & Lids 8

3" CURB BOX 9-12

Cast Iron Curb Box 9

Plastic Curb Box 10

Bottom Sections for 2" & 3" Plastic Curb Box 11-12

4¼" VALVE BOX 13-17

Cast Iron Valve Box 13-14

Plastic Valve Box 15

Additional Rims & Lids 16

Bottom Sections & Valve Supports 17

5¼" VALVE BOX 18-28

Reference Tables 18

Cast Iron 19-21

Cast Iron Valve Box 19

3-Piece Cast Iron Valve Box 20

Extensions & Lids 21

Plastic 22-26

Plastic Valve Box 22

Bottom Sections (4¼", 5¼", 7") 23

Additional Rims & Lids 24

NEW Bison Valve Box 25-26

Combination (CIP) Valve Box 27

Paving Risers 28

7" VALVE BOX 29-31

Reference Table 29

Cast Iron Valve Box 30

CIP Valve Box 31

10" AND LARGER VALVE BOX 32-35

10" & 12" Mark Series Valve Box 32

10" & 12" Cast Iron Valve Box 33

10" Plastic Valve Box 33

12" & 15" Plastic Valve Box 34

18" & 24" Plastic Valve Box 34

12" Square CIP Valve Box 35

CLEANOUT BOX 36

DRIP BOX 37

Printed September 2021



CURB BOXES & VALVE BOXES

*All measurements in tables are in **inches** or **pounds** unless indicated otherwise.*



1" AND 1¼" CURB BOX

Eclipse Boxes - I2BA or I2BB

Complete Eclipse box consists of a cast iron lid (Type A or Type B), plastic top, cast iron bottom (standard or with enlarged base), and rod assembly (rod, ring and pin). All eclipse boxes have a 12" range of extension.

LID OPTIONS:

- Type A — cast iron with pentagon brass plug or rope thread (1" and 1¼")
- Type B — cast iron with two 1/2" holes for operating with a straddle wrench (1" only)

BOTTOM OPTIONS:

- Enlarged base can be used with complete Eclipse box for curb stops up to 2" and increases box length by 6 inches.

ROD, RING & PIN ASSEMBLY:

- Steel pipe shaft is available in 1" or 1¼" and is adjustable and held in place by a brass ring
- The permanent steel rod is forged at the top end to receive a short cut-off wrench and welded to the cut-off key at the bottom
- Straight rod with centering ring or curved rod
- 1/2" Stainless steel rods available



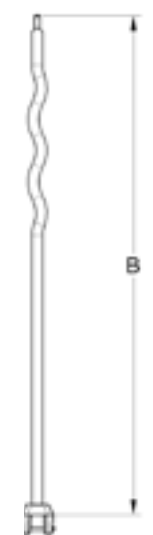
Type A
1" & 1¼"



Type B
1" Only



Straight Rod

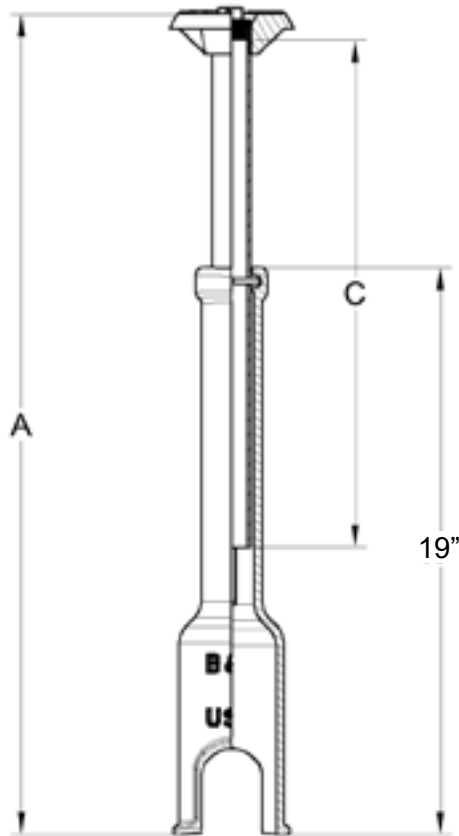


Curved Rod

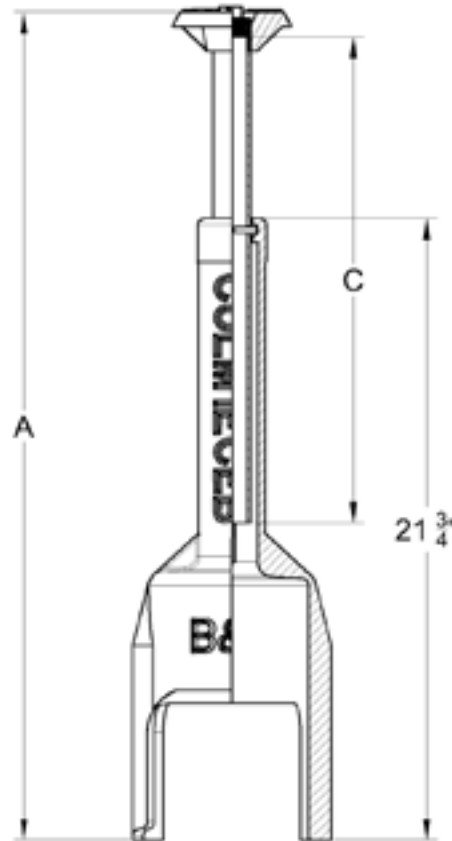
TO ORDER I2B - SPECIFY: Ext. Range, Lid type, Rod type, Lid Lettering

1" AND 1¼" CURB BOX

Eclipse Boxes - I2BA or I2BB



Standard Eclipse Box
(Fig No. E-100)



**Eclipse Box
with EB Enlarged Base (CULM1ECEB)**
(Fig No. E-100EB)

EXT. RANGE A (FT)	ROD LENGTH B	PIPE LENGTH C	WEIGHT
1.5-2.5	18	11	15.0
2.0-3.0	21	17	16.0
2.5-3.5	27	23	16.5
3.0-4.0	33	29	17.0
3.5-4.5	39	35	18.0
4.0-5.0	45	41	19.0
4.5-5.5	51	47	20.0
5.0-6.0	57	53	21.0
5.5-6.5	63	59	22.0
6.0-7.0	69	65	23.0
6.5-7.5	75	71	24.0
7.0-8.0	81	77	25.0



CUL2BEC14E
EC Enlarged Base



CUL2BB1SLEEVE
Curb Box Sleeve

TO ORDER I2B - SPECIFY: Ext. Range, Lid type, Rod type, Lid Lettering

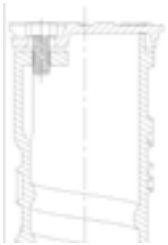
2½" CURB BOX

Cast Iron Curb Box - I2B9

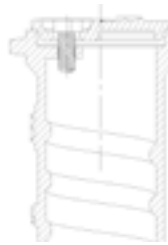
A complete curb box consists of lid with pentagon head bolt, top section and bottom section.

- Certain sizes available in slide type
- Stationary rod, ring, and pin available
- Top sections can be used in combination boxes with plastic or Bison bottom sections (pg 7)

Top Section/Lid Styles



2½" Old Style Top & Lid
E-style only

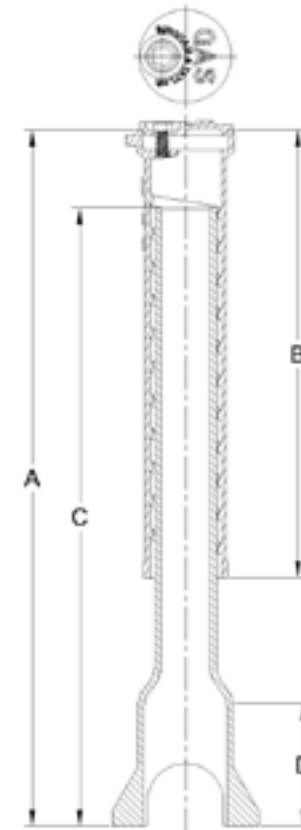


2½" New Style Top & Lid



2 ½" New Style Flush Fit Lid

PART SERIES	EXTENSION RANGE - A	TOP SECTION & LID			BOTTOM SECTION				TOTAL WEIGHT
		NO.	WT.	DIM. B	NO.	WT.	DIM. C	DIM. D	
I2B93D	33-46	D	16.1	20.0	93	15.8	28.0	6.5	31.9
I2B93E	33-50	E	19.6	23.5	93	15.8	28.0	6.5	35.4
I2B94D	40-56	D	16.1	20.0	94	22.3	38.0	6.5	38.4
I2B94E	40-60	E	19.6	23.5	94	22.3	38.0	6.5	41.9
I2B94F	40-64	F	26.1	28.0	94	22.3	38.0	6.5	48.4



I2B9 (Screw Type)
(Fig No. 4901)



CUL2E / GRE2E

Extensions

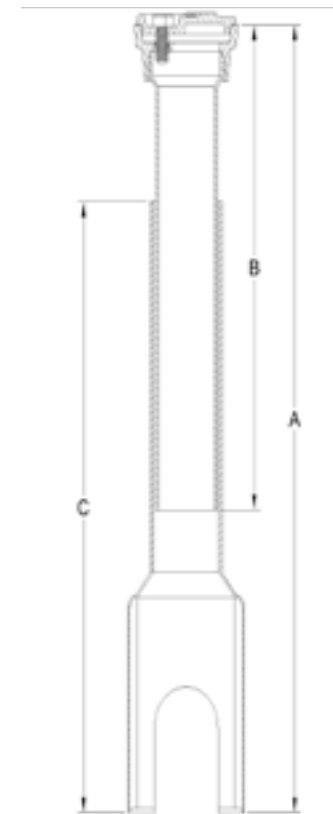
PART SERIES	INCREASES LENGTH A	INCREASES LENGTH B	TOTAL WEIGHT
CUL2E151	9.5	13	6
GRE2E152	16.5	20	8

TO ORDER I2B9 - SPECIFY: Part Series, Top/Lid Style, Lid Lettering

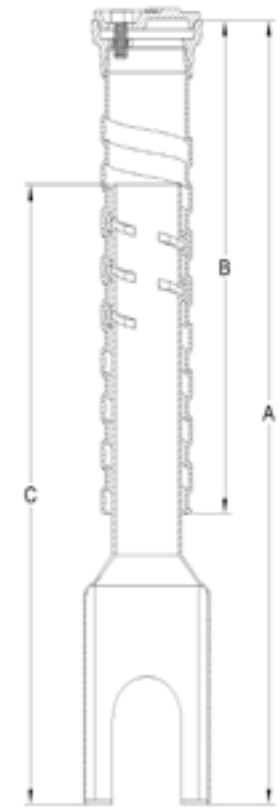
Plastic Curb Box - P2B

- Plastic top and bottom section are high impact resistant ABS plastic
- Cast iron lid and rim
- Available in round and square rim and lid shapes
- Standard pentagon head bolt
- Standard bell arched for 1¼" curb stop (Additional bells on pg 11-12)
- Lid lettering "Water", "Gas", or custom
- Bottom sections can be used in combination boxes with cast iron top section (pg 7)

PART SERIES SLIDE TYPE	PART SERIES SCREW TYPE	EXTENSION RANGE- A	LENGTH TOP- B	LENGTH BOTTOM- C
P200	P-89-A	20-26	10	18
P201	P-90-B	20-28	12	18
P202	P-91-C	24-32	16	18
P203	P-92-C	26-38	16	24
P204	P-92-D	26-42	20	24
P205	P-93-D	32-48	20	30
P206	P-93-E	32-54	26	30
P207	P-94-E	38-60	26	36
P208	P-95-E	44-66	26	42
P209	P-100-E	50-70	26	48
P210	P-100-F	56-76	26	54
P211	P-100-G	62-82	26	60



Slide Type
(Fig No. 200)



Screw Type
(Fig No. 250)



Round



Square

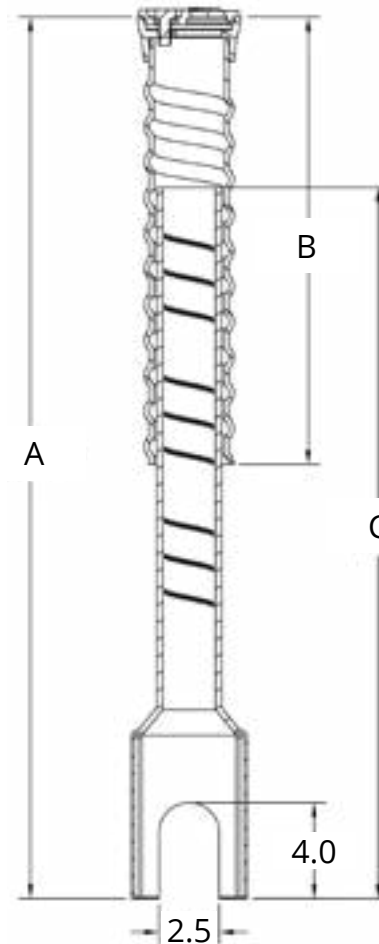
TO ORDER P2B - SPECIFY: Part Series, Adjustment Type (Slide or Screw), Lid/Rim shape, Lid Lettering

2½" CURB BOX

Bison Curb Box - P02ZH

- Heavy Duty ABS Plastic
- Screw type top and bottom sections
- Cast iron rim and lid suitable
- Cast iron rim permanently bonded to ABS top section
- Bottom sections have 001 bell style
- Can be used in combination with cast iron or plastic components
- Lid lettering options include "Water", "Gas", or custom

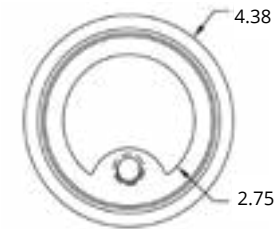
PART SERIES	EXT. RANGE - A	LENGTH TOP & RIM - B	LENGTH BOTTOM - C
P02ZH-2128	21-28	12	18
P02ZH-2534	25-34	12	24
P02ZH-2740	27-40	18	24
P02ZH-3146	31-46	18	30
P02ZH-3352	33-52	24	30
P02ZH-3958	39-58	30	30
P02ZH-3964	39-64	30	36
P02ZH-4976	49-76	30	48
P02ZH-5582	55-82	30	54



Bison Curb Box - P02ZH



Cast Iron Water Lid - I2LBWNS



Cast Iron Rim - CUL2RH200R

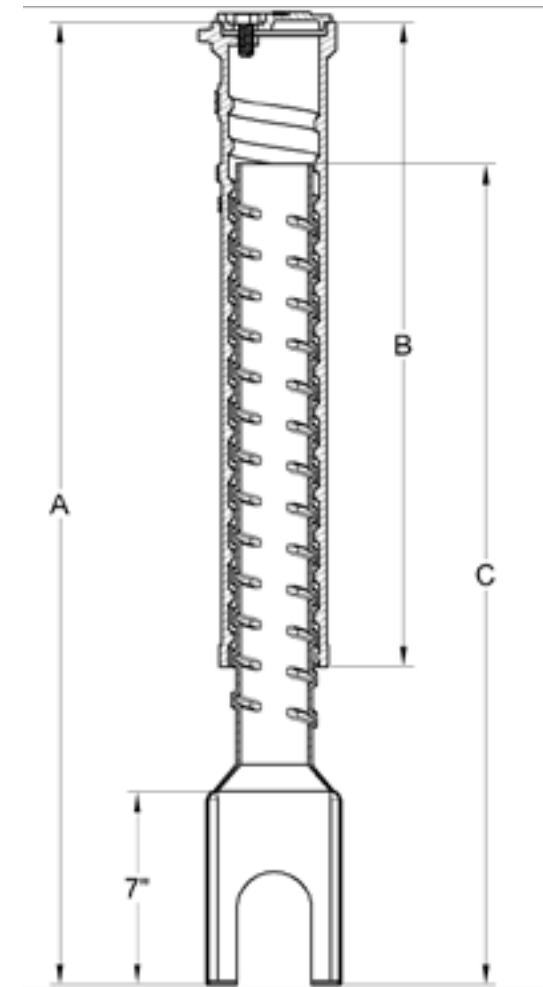
TO ORDER P02ZH - Specify: Part Series, Lid Lettering

2½" CURB BOX

Combination Cast Iron & Plastic (CIP) Box - CIP2

- Complete curb box consists of lid, pentagon head bolt, cast iron top section and plastic bottom section
- Combine any cast iron top section with any plastic or Bison bottom section
- Rim and Lid options (pg 8)

PART SERIES SCREW TYPE	EXTENSION RANGE - A	TOP SECTION & LID			BOTTOM SECTION			TOTAL WEIGHT
		NO.	WT.	DIM. B	NO.	WT.	DIM. C	
CIP 92-D	29-42	D	20.5	16.1	P-92	2.0	24	18.1
CIP 93-D	35-48	D	20.5	16.1	P-93	2.5	30	18.6
CIP 93-E	35-52	E	23.5	19.6	P-93	2.5	30	22.1
CIP 94-E	40-58	E	23.5	19.6	P-94	3.0	36	22.6
CIP 94-F	40-64	F	28.0	26.1	P-94	3.0	36	29.1
CIP 95-F	45-70	F	28.0	26.1	P-95	3.5	42	29.6
CIP 100-F	45-76	F	28.0	26.1	P-100	4.0	48	30.1



Combination Curb Box
(Fig No. 7000)

Plastic Curb Box Extensions

PART SERIES SLIDE TYPE	PART SERIES SCREW TYPE	EXTENDS BOX
P212	P151	10
P218	P152	16
P224	P153	22
P230	P154	28

Additional lengths available in 6" increments.



**Slide Type
Extension**



**Screw Type
Extension**

TO ORDER CIP2 - SPECIFY: Part Series, Bottom Material (Plastic or Bison), Rim & Lid Style, Lid Lettering

2½" CURB BOX

Additional Rims & Lids



NFG Lid
Drop-Turn
Locking Lid



NFG Rim
Drop-Turn
Locking Rim



200NFG LNG
Drop-Turn Long
Locking Rim



CNGF
Flush Lid



200CNG
Light Weight
Plastic Top Section



200CNGHVY
Heavy Duty Rim



200LGE
Heavy Weight Top
Section

Repair Lids

- Repair lids are designed for use when lids in the ground have been damaged and it is not desirable to break the ground to replace the lids
- These lids can be furnished as a substitute for our standard curb box lids



4901
Flush NSR New Style
Repair Lid



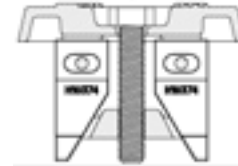
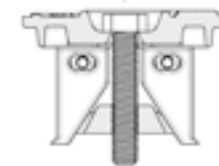
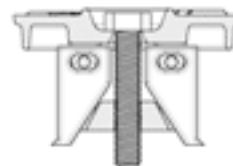
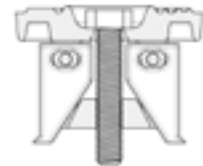
4901 NSR
New Style Repair Lid



4901 OSR
Old Style Repair Lid
(for use with
Centering Ring)



10374
Old Style Repair Lid



3" CURB BOX

3" Cast Iron Curb Box - I3B

- Curb box with 3" shaft for services up to 1½"
- Old style lid weighs 2.3 lbs.

PART SERIES	EXTENSION RANGE - A	TOP SECTION & LID			BOTTOM SECTION			TOTAL WEIGHT
		No.	Wt.	Dim. B	No.	Wt.	Dim. C	
I3B2	24-39	CUL3T9	18.0	19.6	CUL3B2	23.0	23.0	32.7

Repair Lids

- Repair lids are designed for use when lids in the ground have been damaged and it is not desirable to break the ground to replace the lids



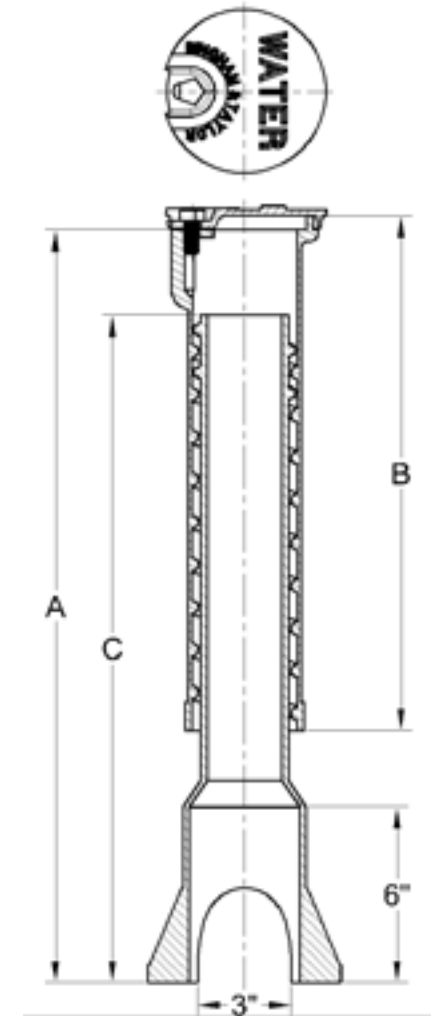
CUL3LWREPO
Old Style Repair Lid

Extensions

PART SERIES	INCREASES LENGTH A	INCREASES LENGTH B	TOTAL WEIGHT
CUL3E155	20.0	22.75	13.1



CUL3E



I3B
(Fig No. 4930)

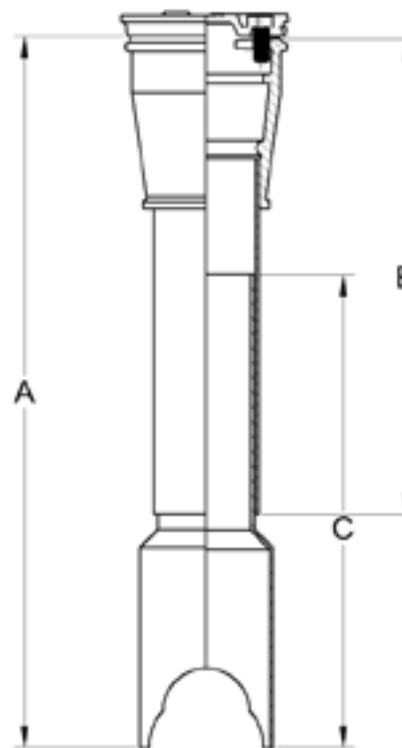
TO ORDER I3B - SPECIFY: Part Series, Adjustment (Screw or Slide), Lid Lettering

3" CURB BOX

3" Plastic Curb Box - P3B

- High-impact resistant ABS Plastic top section and bottom section
- Cast iron lid and rim (standard Buffalo design)
- Standard pentagon head bolt
- Additional rims and lids available
- Standard cast iron rim (306) offers 6" depth
- Available in slide adjustment only
- Standard bell arched for 1¼" curb stop (additional bells on pg 11-12)
- Lid lettering with "Water", "Gas", or custom

PART SERIES	EXTENSION RANGE- A	LENGTH TOP- B	LENGTH BOTTOM- C
P301	24-28	12	18
P302	32-39	12	26
P303	42-48	16	36
P304	52-58	16	46



P3B
(Fig No. 300)



P3E

Optional Rims & Lids



306
Standard Rim & Lid

334
Drop-In Rim & Lid

334 DT
Drop Turn Locking
Rim & Lid

GREPO
Repair Lid

Extensions

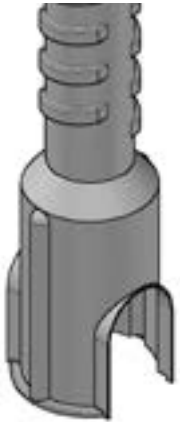
PART SERIES	EXTENDS BOX	OVERALL LENGTH
P3E314	12	14
P3E320	18	20
P3E326	24	26
P3E332	30	32

Additional lengths available in 6" increments

TO ORDER P3B - SPECIFY: Part Series, Rim & Lid Style, Bell Style, Lid Lettering

2½" & 3" ADDITIONAL BOTTOM SECTIONS

001



Fits:

½" - 1¼" poly & steel valves
Standard Arch

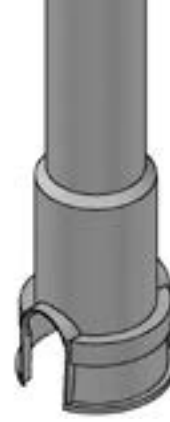
004



Fits:

Perfection ¾" - 1¼" Plug Valve
Dresser ¾" 175 G.T.O.

005



Fits:

Innertite Posilok 1¼" 125 G.T.O.
Mueller 125 1" Gas
Kerotest 1" - 1¼" Plastic Valve
Kerotest 2" Plug Valve
Lyll 1¼" P.E. Ball Valve
Nordstrom ¾" - 1¼" Plug Valve

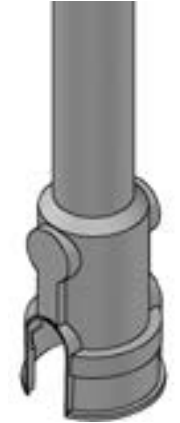
006



Fits:

Dresser 1¼" 175 G.T.O.
Handley 1" - 1¼" Plug Valve
Kerotest 1¼" Plastic Valve
Kerotest 2" Plug Valve
Lyll 2" Plastic Valve
Nordstrom 1¼" - 1¼" Plug Valve

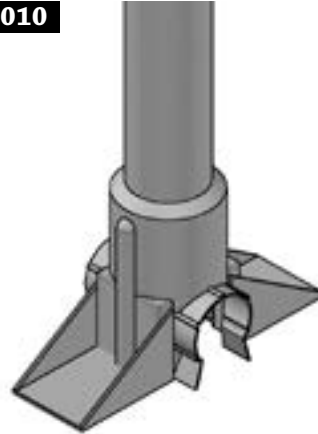
008



Fits:

Dresser ¾" - 1" 175 G.T.O.
Innertite 1" G.T.O.
Innertite 1¼" Posilock 12560
Lyll ½" - 1" Ball Valve
Mueller 1" 125 "GAS"
Nordstrom ¾" - 1¼" Plug Valve

010



Fits:

Innertite 1" 125 GO
Innertite 1¼" 125 GO
Kerotest ¾" - 1¼" Plastic Valve
Lyll 1¼" Ball Valve
Mueller 1" 125 GO
Perfection 1¼" Plastic Valve
Lyll 2" Ball Valve

011



Fits: CNG Bottom Bell

Bell ½" - 1¼" Poly & Steel Valves

013



Fits: Minneapolis Pattern

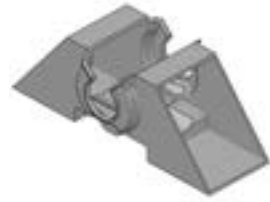
Screw on top of operation nut
for ½" - 1¼" Brass Valves

2½" & 3" ADDITIONAL BOTTOM SECTIONS

014



For use with Bingham &
Taylor Valve Support



BTVS014N
Fits: Nordstrom & Kerotest
½" - 1¼" Plastic Valves

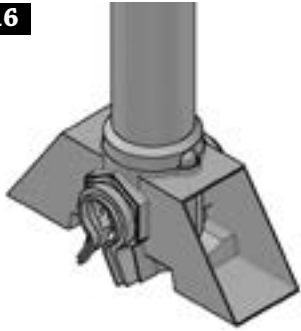


BTVS014P
Fits: Perfection
½" - 1¼" Plastic Valves



BTVC23014B
Fits: Broen
½" - 1¼" Plastic Valves

016



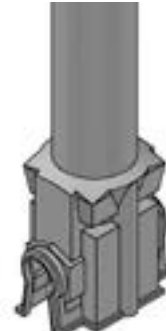
Fits: ½" - 1¼" Poly Valves

017



Fits: ½" - 1¼"
Poly Valves

021



Fits: ½" - 1¼"
Poly Valves

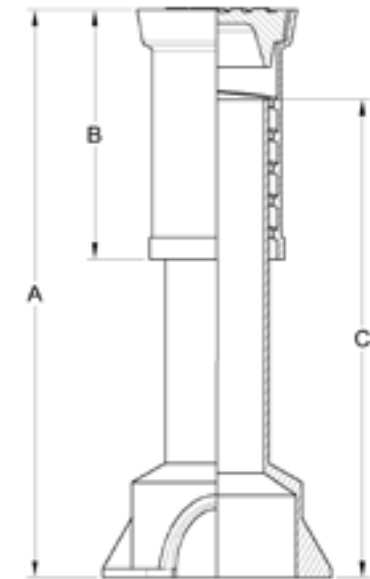
022



**Heavy Duty Standard Arched
Pattern**
Fits: ½" - 1¼"
Poly and Steel Valves

4¹/₄" Cast Iron Valve Box - I4B

- Designed for use both in the roadway and behind the curb for valves up to 3 inches
- Standard lids are lettered WATER or GAS Special lettering available
- Locking lids available
- Available with standard arched or closed bottom covering the operating nut of small valves
- Available with square head top section and risers



I4B
(Fig No. 4903)

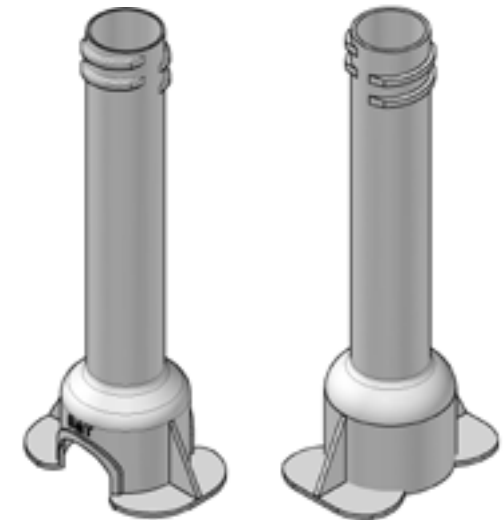
PART SERIES SCREW	PART SERIES SLIDE	EXTENSION RANGE - A	TOP SECTION & LID			BOTTOM SECTION			TOTAL WEIGHT
			PART NO.	WT.	DIM. B	PART NO.	WT.	DIM. C	
140-Q	140-SQ	18-24	Q	25.4	12.0	140	16.0	14.75	41.4
141-Q	141-SQ	22-28	Q	25.4	12.0	141	23.0	18.00	48.4
142-Q	142-SQ	24-30	Q	25.4	12.0	142	29.0	22.50	54.4
142-R	142-SR	27-39	R	41.0	20.5	142	29.0	22.50	70.0
143-R	143-SR	34-38	R	41.0	20.5	143	33.0	30.50	74.0
144-R	144-SR	39-54	R	41.0	20.5	144	35.0	36.25	76.0
144-RR	144-RRS	39-60	RR	45.0	26.0	144	35.0	36.25	80.0



CUL4L-GRD
Standard Round



CUL4L-SQ
Square



Arched Bottom

Closed Bottom

TO ORDER I4B- SPECIFY: Part Series, Bottom Style, Lid Shape, Bell Style, Lid Lettering

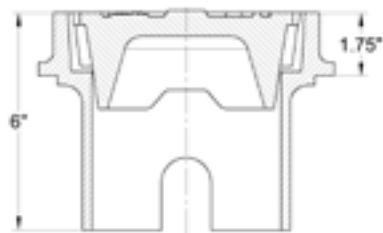
4 $\frac{1}{4}$ " VALVE BOX

Paving Risers for Cast Iron - CUL4A

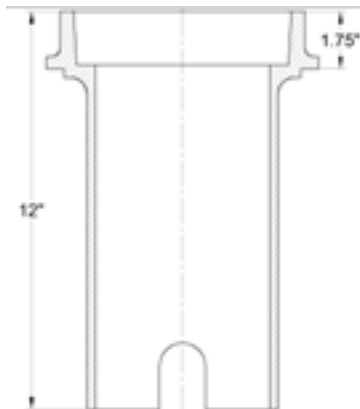
- Used when repaving requires additional height to existing box
- Uses existing lid or special non-tip lid with longer skirt

Three Models:

- CUL4A1/4 - 1 $\frac{3}{4}$ " Raise only
- CUL4A12 - 1 $\frac{3}{4}$ " - Up to 8" Raise
- CUL4A1 - 1" Fixed Raise - stackable



CUL4A1/4



CUL4A12



CUL4A1

Valve Box Extension for Cast Iron - CUL4E49

- Extends boxes up to 18 inches
- Weight: 20 lbs



CUL4E49

4¹/₄" Plastic Valve Box - P4B

- ABS Plastic top and bottom section
- Cast iron rim bonded to ABS Plastic top section
- Standard and Heavy Duty rims available (pg 16)
- For use with curb stops with 2" square operating nut
- Slide adjustment only
- Standard bell (402) arched and flanged
- Multiple bell designs available to fit assorted valves (pg 17)

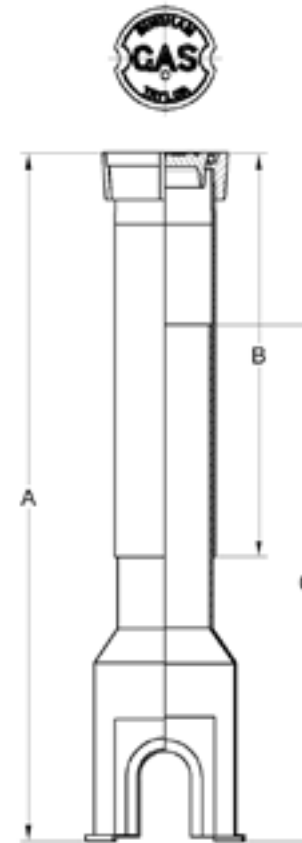
PART SERIES	EXTENSION RANGE- A	LENGTH TOP- B	LENGTH BOTTOM- C
P4B-1224	26-34	12	24
P4B-1824	26-40	18	24
P4B-2424	40-46	24	24
P4B-2730	32-54	27	30

Extensions

PART SERIES	EXTENDS LENGTH	OVERALL LENGTH
P04E-15	11	15
P04E-18	14	18
P04E-24	20	24
P04E-30	26	30
P04E-36	32	36



P04E
Extension



P4B
Standard 4" Valve Box
(Fig No. 445)

TO ORDER P4B - SPECIFY: Part Series, Rim Style (pg 16), Bell Style (pg 17), Lid Lettering

4¹/₄" VALVE BOX

Standard Rims & Lids



445
Drop-In Rim & Lid



445DT
Drop-Turn Locking Rim & Lid



445BUG
Drop-Turn Rim & Lid



448
Flanged Rim & Lid



450
Square Rim & Lid

Heavy Duty Rims & Lids



HL
Locking Rim & Lid



4000RW
Rural Water Lid



460
6" Stay Put Rim & Lid



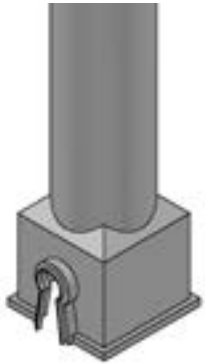
P10
10" Stay Put Rim & Lid



HHD
Heavy Duty 4" Locking
Rim & Lid

4 1/4" VALVE BOX

Bottom Sections & Valve Supports for Plastic Valve Box



020 Bell
Bell Bottom



BTVS020P
Support for 1/2" - 1 1/4"
Perfection Valves

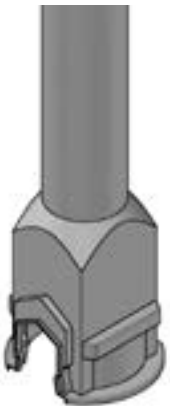


022 Bell
Bell Bottom



BTVS022M
Support for 1"-2"
Mueller Valves

Bottom Sections



401 Bell
Fits: Kerotest 1/2" - 1 1/4" Plastic Valve
Nordstrom 1/2" - 1 1/4" Plastic Valve



402 Bell
Fits: 2" & 3" Plastic Valves



434 Bell
Fits: Perfection 1/2" - 1 1/4" Plastic Valve
Kerotest 1/2" - 1 1/4" Plastic Valve
Nordstrom 1/2" - 1 1/4" Plastic Valve

5 $\frac{1}{4}$ " VALVE BOX

5 $\frac{1}{4}$ " Reference Table

For Determining Length Needed for Standard 5 $\frac{1}{4}$ " Valve Box

SIZE OF VALVE	3"	4"	5"	6"	8"	10"
Inches from bottom lower section to bottom trench - E	10	12	14	16	21	25

To determine length box to order on page 19 (Dim. C), use depth of trench (Dim. D) and deduct inches shown in table above (Dim. E).

EXAMPLE: For 6" valve in 5 foot trench.

Depth of trench	60"
For 6" valve deduct	- 16"
Min. length box	<u>44"</u>

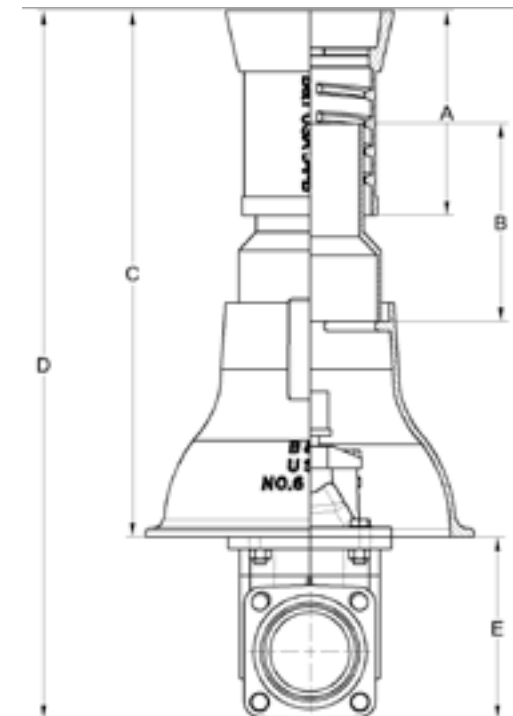
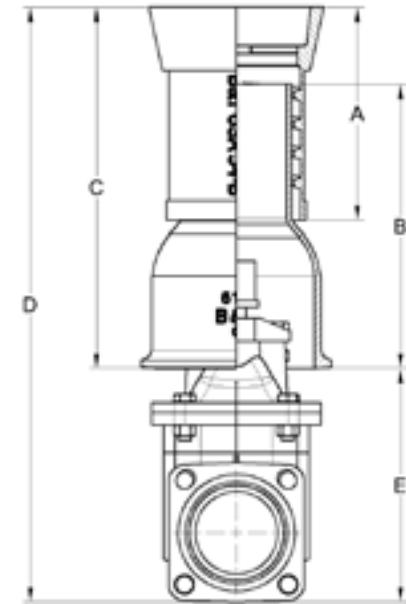
See Page 19 — Order No. 21 for Screw Type or 5564-S for Slide Type (39"-48")

5 $\frac{1}{4}$ " 3-Piece Cast Iron Reference Table

For Determining Length Needed for 3-Piece Valve Box

SIZE OF VALVE	BOTTOM BASE TO BOTTOM TRENCH (DIM. E)	NO. BASE USED	DEPTH OF TRENCH (DIM. D)									
			36"	42"	48"	54"	60"	66"	72"	78"	84"	
3	8	6	AA	A	B	C	CC	D	D	E	F*	
4	12.5	6		AA	A	B	C	CC	D	E	E	
6	15	6		AA	A	B	C	C	CC	D	E	
8	19	6			AA	A	B	C	CC	D	E	
10	24	6				A	A	B	C	CC	D	
12	31	6 or 160					AA	A	B	C	CC	
14	36.5	6 or 160						A	A	B	C	
16	41.25	6 or 160							A	A	B	

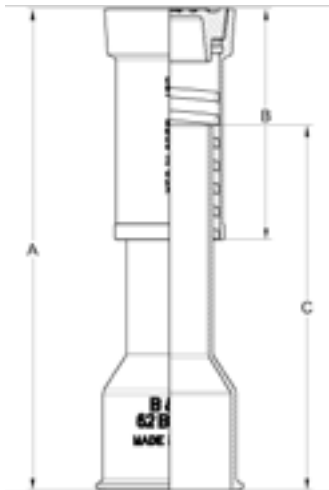
* The longest cast iron box we manufacture is the "E" valve box. In order to furnish "F" and longer boxes, we will add extension sections to the "E".



5¼" VALVE BOX

5¼" Cast Iron Valve Box - I5B

- Designed to cover the stuffing box only
- Locking lids available
- Lid marked GAS or WATER or special lettering
- Standard round lid weight 13 lbs
- Top sections can be used in combination boxes (pg 27)
- Square screw type top available 15" and 26" length



(Fig No. 4905)

Screw Type

PART SERIES	EXTENSION RANGE - A	TOP SECTION & LID			BOTTOM SECTION			BELL HEIGHT F	TOTAL WEIGHT
		NO.	WT.	DIM. B	NO.	WT.	DIM. C		
I5B-18	18-24	54	22.0	10.5	61	23.0	14.5	6.5	45.0
I5B-20	27-36	55	30.0	15.5	62	33.5	24.0	6.5	63.5
I5B-21	39-48	55	30.0	15.5	64	46.0	36.0	8.5	76.0
I5B-22	39-60	56	62.0	26.0	64	46.0	36.0	8.5	100.0

Longer Boxes made by adding Extensions to Size No. 22

Slide Type Top Section Flange Options



No Flange

Flange 3" From Top

Bottom Flange



Flange 6" From Top

Double Flange

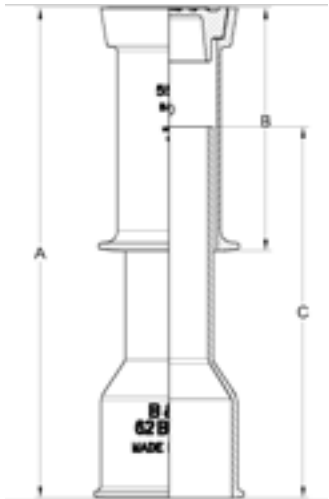


Square Top

Slide Type

PART SERIES	EXTENSION RANGE - A	TOP SECTION & LID			BOTTOM SECTION			BELL HEIGHT F	TOTAL WEIGHT
		NO.	WT.	DIM. B	NO.	WT.	DIM. C		
I5B-5461-S	18-24	54-S	22	10.5	61-S	24	15.0	6.5	46
I5B-5561-S	23-29	55-S	30	15.5	61-S	24	15.0	6.5	54
I5B-5562-S	27-36	55-S	30	15.5	62-S	32	24.0	6.5	62
I5B-5564-S	39-48	55-S	30	15.5	64-S	46	36.0	8.5	76
I5B-5662-S	38-48	56-S	54	26.0	62-S	33	24.0	6.5	87
I5B-5664-S	39-60	56-S	54	26.0	64-S	46	36.0	8.5	100

Longer Boxes made by adding Extensions to Size No. 5664-S



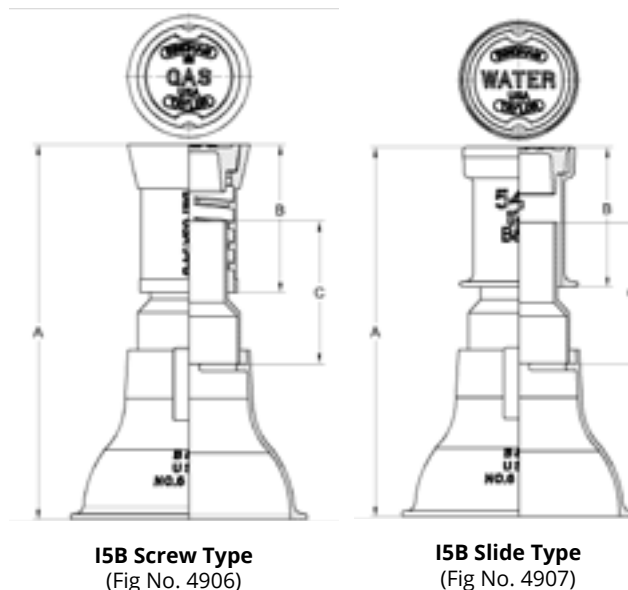
(Fig No. 4908)

TO ORDER I5B - SPECIFY: Part Series, Rim Shape, Top Flange Style, Lid Lettering

5 1/4" VALVE BOX

3-Piece Cast Iron Valve Box - I5B

- Valve boxes are designed to cover the valve completely.
- Top section screws or slides over the middle section to provide adjustment. Middle section locks into the base section.
- No. 6 base is the standard base used to determine lengths shown in table on pg 18.
- See pg 28 for paving risers to raise valve boxes
- Locking lids available
- Lids marked GAS or WATER, or special lettering
- Standard Round Lid weight 13 lbs
- Square screw type top available in 15" and 26" length



I5B Screw Type
(Fig No. 4906)

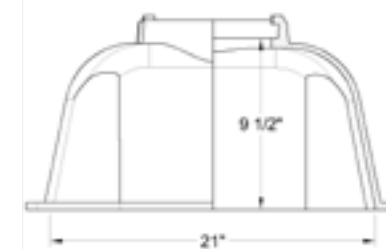
I5B Slide Type
(Fig No. 4907)

Optional Bases



No. 6 Round Base - CUL5BA6

- For Valves 8" and smaller
- Weight — 45 lbs



No. 160 Oval Base - CUL5BA160

- For valves 16" and smaller
- Overall length of valve box in table will be 1 1/2" less
- Weight — 70 lbs

PART SERIES	EXTENSION RANGE - A	TOP SECTION & LID			MIDDLE SECTION			NO. 6 BASE WT.	TOTAL WEIGHT
		NO.	WT.	DIM. B	NO.	WT.	DIM. C		
I5B-AA	26-30	54	22.0	10.5	60	14.0	10.5	45.0	81.0
I5B-A	28-40	55	30.0	15.5	61	23.0	16.0	45.0	98.0
I5B-B	36-48	55	30.0	15.5	62	31.5	24.0	45.0	106.5
I5B-C	42-54	55	30.0	15.5	63	36.5	27.0	45.0	111.5
I5B-CC	48-60	55	30.0	15.5	64	46.0	36.0	45.0	121.0
I5B-D	42-66	56	34.0	26.0	63	36.5	27.0	45.0	135.5
I5B-E	48-72	56	54.0	26.0	64	46.0	36.0	45.0	145.0

TO ORDER I5B- SPECIFY: Part Series, Adjustment Type (Slide or Screw), Base Type, Top/Lid Shape, Lid Lettering

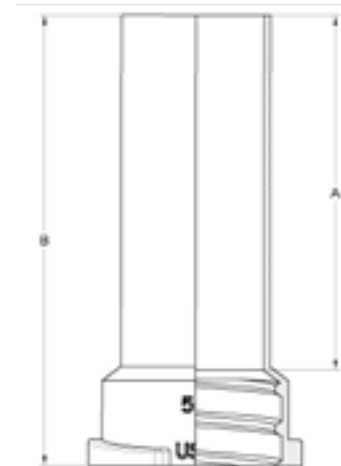
Extensions for Cast Iron



I5E

SCREW EXTENSION

PART SERIES	INCREASES LENGTH- A	OVERALL LENGTH- B	WEIGHT
I5E-57	9.0	13.0	20.0
I5E-58	14.0	17.0	23.0
I5E-59	20.0	24.0	31.5
I5E-60	22.4	27.0	36.5
I5E-61	30.0	36.0	46.0



I5E

SLIDE EXTENSION

PART SERIES	INCREASES LENGTH- A	OVERALL LENGTH- B	WEIGHT
I5E-63E	9.0	13.0	20.0
I5E-64E	14.0	17.0	23.0
I5E-65E	20.0	24.0	31.5
I5E-66E	22.4	27.0	36.5
I5E-67E	30.0	36.0	46.0

Lids For Cast Iron

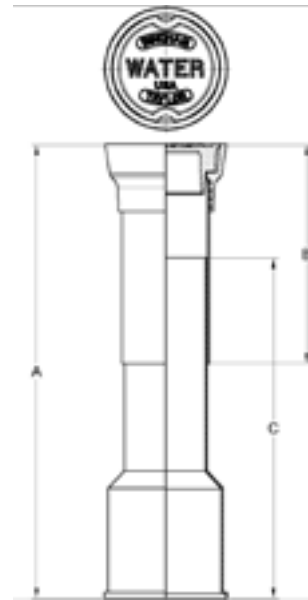
PART SERIES	SKIRT SIZE	WEIGHT
GRE5L-RD	1 1/2	13
GRE5L-LSK	2 1/2	14.5
GRE5L-SK4	4	25
I5LB-UL	-	16
GRE5L-HVTSK4	4	22
CUL5L-SQ	1 1/2	14
CUL5L-HVLSK4-SQ	4	25
CUL5L-L	-	13
CUL5L-RDAMI	1 1/2	13



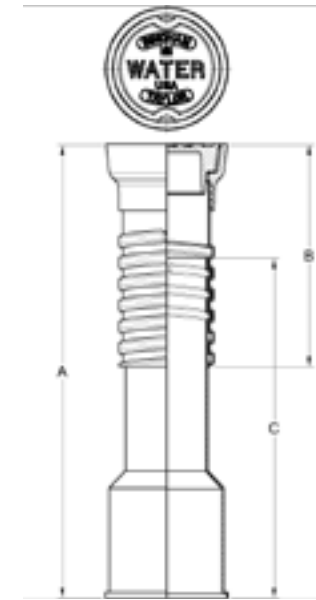
5 1/4" VALVE BOX

5 1/4" Plastic Valve Boxes - P5B

- ABS Plastic top and bottom sections
- Cast iron lid and rim
- Cast iron rim permanently bonded to ABS Plastic top section
- Screw or slide adjustment
- Available in various bell designs to fit assorted valves
- Lid lettering options "Gas" or "Water", or custom
- Paving risers available, 1"-6"
- Bottom sections can be used in combination boxes (pg 27)



P5B Slide Type
(Fig No. P-500-S)



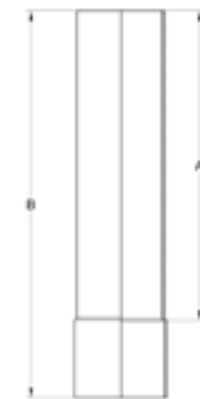
P5B Screw Type
(Fig No. P-500-B)

PART SERIES SLIDE TYPE	PART SERIES SCREW TYPE	EXTENSION RANGE- A	LENGTH TOP- B	LENGTH BOTTOM- C
P5B-5461-S	P5B-18	22-24	9	18
P5B-5562-S	P5B-20	28-36	15	24
P5B-5564-S	P5B-21	40-48	15	36
P5B-5662-S	P5B-21-A	36-48	27	24
P5B-5663-S	P5B-22-A	34-54	27	30
P5B-5664-S	P5B-22	42-56	27	36
P5B-5666-S	P5B-23	52-72	27	48
P5B-5766-S	P5B-24	52-85	39*	48

*Not available in screw type

Extensions

PART SERIES SLIDE TYPE	PART SERIES SCREW TYPE	EXTENDS BOX- A	OVERALL LENGTH- B
-	P5E-56	8	12
P5E-63E	P5E-57	12	16
P5E-64E	P5E-58	20	24
P5E-65E	P5E-59	26	30
P5E-66E	P5E-60	32	36



Slide Extension - P5E

TO ORDER P5B - SPECIFY: Part Series, Rim Style, Bottom Bell Style (pg. 23), Lid Lettering

5 1/4" VALVE BOX

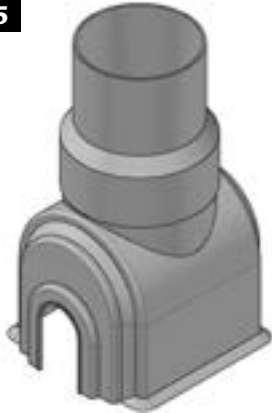
Bottom Bells For 4 1/4", 5 1/4", 7" Plastic Valve Box

101



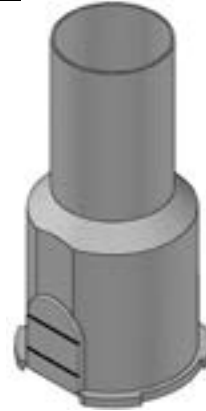
Fits: Standard Bottom Fits Over Bonnet up to 10" Valves

105



Fits: 2", 4" and 6" Reduced Port Plastic Valves and 2" & 4" Full Port Plastic Valves
Kerotest & Nordstrom Valve

106



Fits: 2" & 3" Plastic Valves

107



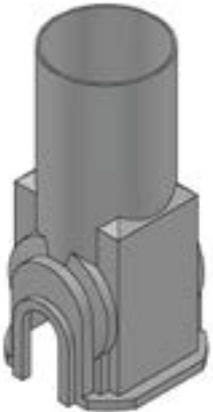
Fits: Full Port 8" Plastic Valves & Steel Valves

108



Fits: 6" Full Port and 8" Reduced Port Valves

104



For use with Valve Supports

Valve Supports - P05V



VTVS1
Kerotest & Nordstrom Valve Support for 1/2" to 1 1/4" Ball Valves



VPVS1
Perfection Support for 1/2" to 1 1/4" Valves



VPVS3
Perfection 2" Valve Support



VL000
2" Lyall Valve Support



VN230
Kerotest & Nordstrom Valve Support for 2" & 3" Valves



VPVS2
Nordstrom 4" Valve Support

Note: Recommended to use Valve Box Stabilizer with 101, 106, and 107 bells.

5¼" VALVE BOX

Cast Iron Rims & Lids for 5¼" Plastic Valve Boxes



LID-RD / RIM-500R
Drop-In Lid & Rim



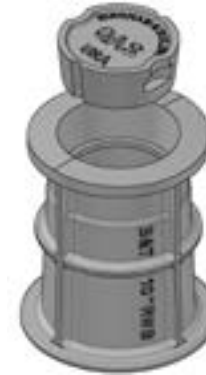
LSK
Drop-In Lid with 2½" Skirt



HVLSK4
Drop-In Lid with 4" Skirt



LID-558 / RIM-558
Lid & Double Flange Rim
(1" std rim or 2¾" long skirt)



LID-558 / RIM-559
Lid & Triple Flange Rim



LID-HGL / RIM-HL
Locking Lid & Rim with
Tab Bolt



LID-SQ / RIM-500SQ
Square Lid & Rim



LID-SQ / RIM-500SQFL
Flanged Square Lid & Rim



SQ
Square Drop-In Lid with 1½"
Skirt



HVLSK4-SQ
Square Drop-In Lid with 4"
Skirt



6000RW
6" Rural Water Lid



LID-RD / RIM-PI
Bottom Flange PI Rim



LID-GPSE / RIM-PI2
Full Flange PI 2 Rim



LID-GP500 / RIM-PIAGL
Partial Flange PI 3 Rim



I5LB-UL
Universal Locking Lid



2194
Top Hat Rim

Bison Valve Boxes - P05ZH

- Thick-Walled ABS Plastic
- Used with cast iron lid and rim (PI Rim, PI3 Rim, or P500 Rim)
- Available in Screw or Slide Adjustment
- Standard 101 bell, 106 bell or 107 bell available
- Standard Assemblies come with water lid. Other lid lettering options available.
- Can be used with cast iron paving risers 1"-6"
- Bottom sections can be used in combination boxes (pg 27)

Rim Options



P500 Rim - GRE5R500R
No Flange



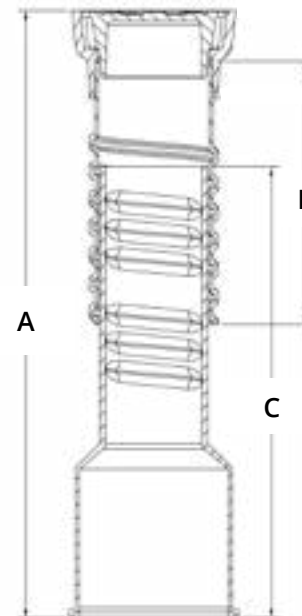
PI Rim - CUL5API
Full Flange



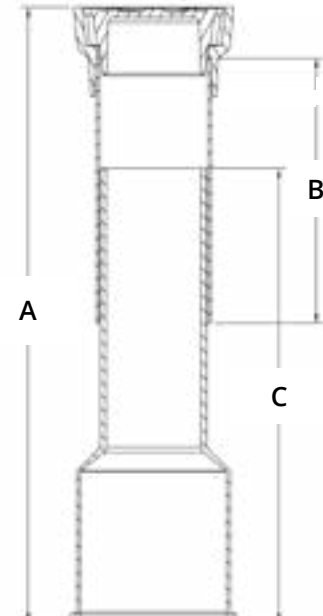
PI3 Rim - CUL5APIAGL
Partial Flange

Standard Assemblies with 101 Bell

PART SERIES	EXTENSION RANGE- A	LENGTH TOP-B	LENGTH BOTTOM- C
P05ZH-2228	22-28	10	18
P05ZH-2738	27-38	14	24
P05ZH-3950	39-50	14	36
P05ZH-3648	36-48	24	24
P05ZH-3960	39-60	24	36
P05ZH-5172	51-72	24	48



P05ZH Screw Type



P05ZH Slide Type

TO ORDER P05ZH- SPECIFY: Part Series, Bell Type, Adjustment (Slide or Screw), Rim Style, Lid Lettering

5¼" VALVE BOX

Bison Valve Boxes - P05ZH

Assemblies with 106 Bell

EXTENSION RANGE- A	LENGTH TOP-B	LENGTH BOTTOM- C
25-30	10	20
29-40	14	26
35-46	14	32
39-56	24	32
41-62	24	38

Extensions

PART SERIES	ADJUSTMENT	HEIGHT
P05EHC	Screw	24
		30
P05EHS	Slide	24
		30



P05EHC
Screw Type Extension

Assemblies with 107 Bell

EXTENSION RANGE- A	LENGTH TOP-B	LENGTH BOTTOM- C
28-34	10	24
33-44	14	30
39-50	14	36
42-60	24	36
45-66	24	42

Bell Options



106 Bell - P05BH106



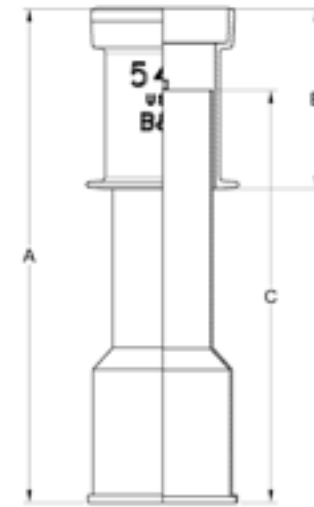
107 Bell - P05BH107

TO ORDER P05ZH- SPECIFY: Part Series, Bell Type, Adjustment (Slide or Screw), Rim Style, Lid Lettering

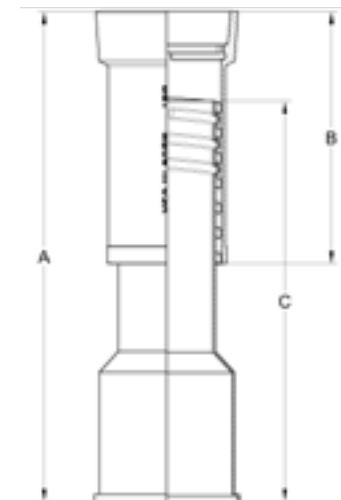
Combination (CIP) Valve Box - CIP5

- Complete box consists of lid, cast iron top section and plastic or Bison bottom section
- Slide Type has flange at bottom of top section. Specify if not wanted.

PART SERIES		EXTENSION RANGE - A	TOP SECTION & LID			BOTTOM SECTION			TOTAL WEIGHT
SLIDE	SCREW		NO.	WT.	DIM. B	NO.	WT.	DIM. C	
CIP-5461-S	CIP5B-18	18-24	54	35	10.5	P-61	1.5	18	36.5
CIP-5561-S	CIP5B-19	21-26	55	42	15.5	P-61	1.5	18	43.5
CIP-5562-S	CIP5B-20	27-36	55	42	15.5	P-62	2.0	24	44.0
CIP-5563-S	CIP5B-20A	32-42	55	42	15.5	P-63	2.5	30	44.5
CIP-5564-S	CIP5B-21	39-48	55	42	15.5	P-64	3.0	36	45.0
CIP-5664-S	CIP5B-22	39-60	56	62	26.0	P-64	3.0	36	65.0
CIP-5666-S	CIP5B-23	51-72	56	62	26.0	P-66	4.0	48	66.0
CIP-5668-S	CIP5B-24	63-84	56	62	26.0	P-68	7.0	60	69.0



CIP5 Slide Type
(Fig No. 8250)



CIP5 Screw Type
(Fig No. 8000)

TO ORDER CIP5- SPECIFY: Part Series, Bottom Material (Plastic or Bison), Lid Lettering

5 1/4" VALVE BOX

Paving Risers



CUL5A / GRE5A
Standard Riser

HIEGHT	WEIGHT
1	6.0
1 1/2	9.0
2	11.0
2 1/2	14.0
3	15.3
4	17.7
6	35.0

- For use in raising 5 1/4" valve boxes
- 1", 1 1/2" and 2" risers available with flange



CUL5A-SQ
Square Riser

HIEGHT	WEIGHT
1	13
2 1/4	14

- For use in raising 5 1/4" square valve boxes
- 1" riser requires special lid



CUL5A-RH
Rite Hite Riser Slide Type



CUL5A-RH
Rite Hite Riser Screw Type

HIEGHT	WEIGHT
Slide 8	15
Slide 12	22
Screw 12	25

- When repaving, used when existing valve box is set too high or too low
- Adjustable from 2 1/2" to 12"



CUL5L558
Special Lid for
1" Riser



I5RC1558
1" Riser



I5RC23/8558
2 3/8" Riser

HIEGHT	WEIGHT
1	5.5
2 3/8	7.0

- 1" and 2 3/8" riser
- 1" riser requires special lid

7" Cast Iron Valve Box - Reference Table

Table for Determining Length of Box Needed - see pg 18 for diagram

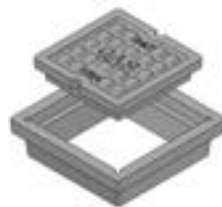
SIZE OF VALVE	BOTTOM BASE TO BOTTOM TRENCH (DIM. E)	NO. BASE USED	DEPTH OF TRENCH								
			36	42	48	54	60	66	72	78	84
3	8	6	I	I	J	K	L	L	L*	L*	L*
4	13 1/2	6	II	I	J	J	K	L	L	L*	L*
6	15	6	II	II	I	J	K	L	L	L*	L*
8	19	6		II	I	I	J	K	L	L	L*
10	24	6			II	I	J	J	K	L	L
12	31	160				II	I	I	J	K	L
14	36 1/2	160					II	I	I	J	K
16	41 1/4	160						II	I	I	J

*Longer Boxes made by adding Extensions to Size L

Risers



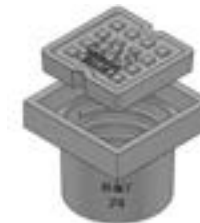
CUL7A-7
Round Riser 2 1/4" Raise Only



CUL7A-1SQ
Square Riser 1"



CUL7A-2SQ
Square Riser 2 1/4" w/ Flange



CUL7T-74SQ
Square Head Top Section

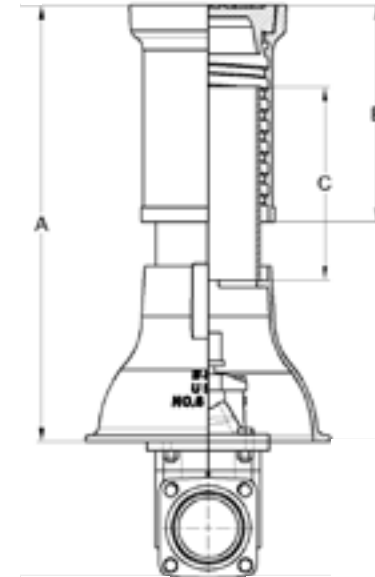
7" VALVE BOX

7" 3-Piece Cast Iron Valve Box - I7B

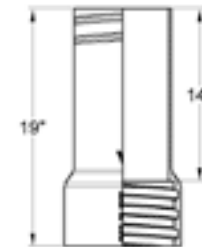
- The top section screws over the middle section to provide adjustment
- The middle section locks into base section
- No. 6 base is standard to determine lengths, No. 160 base also available (pg 20)
- Locking lids are available
- Paving risers are available
- No. 74 square top available

PART SERIES	EXTENSION RANGE - A	TOP SECTION & LID			MIDDLE SECTION			NO. 6 BASE WT.	TOTAL WEIGHT
		NO.	WT.	DIM. B	NO.	WT.	DIM. C		
I7B-II	21-27	74	58.5	10	80	14.0	8	45.0	117.5
I7B-I	27-39	75	81.5	15	81	24.5	14	45.0	151.0
I7B-J	33-45	75	81.5	15	82	30.0	20	45.0	156.5
I7B-K	39-51	75	81.5	15	83	41.0	26	45.0	167.5
I7B-L	39-60	76	111.0	26	83	41.0	26	45.0	197.0

Longer Boxes made by adding Extensions to Size L



I7B (Screw Type Only)
(Fig No. 5001)

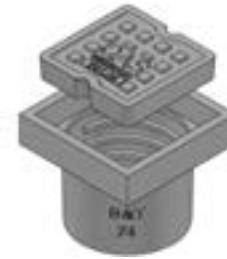


CUL7E-71
Cast Iron Extension

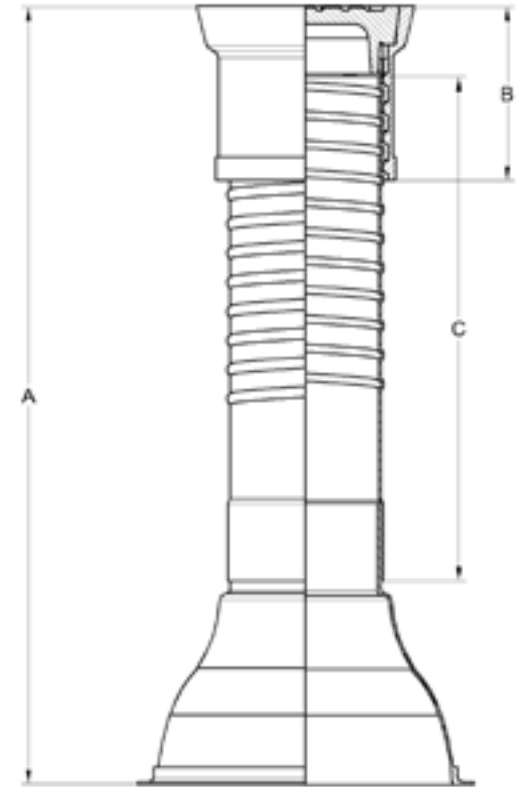
TO ORDER I7B - SPECIFY: Part Series, Base Style, Lid Lettering

2 or 3-Piece Combination (CIP) Box - CIP7B

- Uses standard cast iron top section, lid, plastic middle section and base
- For 2-piece box, base is bonded to middle shaft
- Use table on page 29 to determine length of box to use
- Bases available: 105, 107, and 108 (pg 23)
- Locking lids and paving risers available
- Round or square top and lid "Water" or "Gas"
- Square head box must use 10" top section only



CUL7T-74SQ
Square Head Top Section & Lid



CIP7B
Screw Type
(Fig No. 9000)

PART SERIES	EXTENSION RANGE - A	TOP SECTION & LID			MIDDLE SECTION			NO. P-6 BASE		TOTAL WEIGHT
		NO.	WT.	DIM. B	NO.	WT.	DIM. C	HEIGHT	WEIGHT	
CIP7B-II	21-27	74	58.5	10	P-80	2	10	10	2.5	63.0
CIP7B-I	27-39	75	81.5	15	P-81	3	16			86.0
CIP7B-J	33-45	75	81.5	15	P-82	4	20			88.0
CIP7B-K	39-51	75	81.5	15	P-83	5	26			89.0
CIP7B-L	39-60	76	111.0	26	P-83	5	26			118.5
CIP7B-M	60-72	76	111.0	26	P-84	7	36			120.5
CIP7B-N	72-84	76	111.0	26	P-85	9	48			122.5



P7E
Plastic Extension

Extensions

PART SERIES	EXTENDS BOX	OVERALL LENGTH
P7E-712	8	12
P7E-718	14	18
P7E-72	20	24

TO ORDER I7B - SPECIFY: Part Series, Base Style, Lid Lettering

10" AND LARGER VALVE BOX

10" & 12" Mark Series Rims

- Heavy Duty rim suitable for roadway use
- 100% cast iron
- Large diameter fits over 8" PVC
- Customized lettering and powder coating available
- Meets 20,000 lb proof load

PART SERIES	RIM	FLANGE	INSIDE DIAMETER	HEIGHT	WEIGHT
CUL10R-HVY	Mark V Round	No Flange	10	11.5	32
CUL10R-HVYF	Mark V Round	Flange	10	11.5	44
GRE10R-TF	Mark V Triangle	Flange	10	11.0	56
CUL12R-HVYF	Mark VII Round	Flange	10.25	11.5	50



HVY
Mark V Round
No Flange



HVYF
Mark V Round
With Flange



TF
Mark V Triangle
With Flange



HVYF
Mark VII Round
With Flange

10" & 12" Mark Series Lids

PART SERIES	LID	DESCRIPTION	DIAMETER	WEIGHT
CUL10L-HVY	Mark V Round	2.5" Skirt	9.8	15
CUL10L-HVY4	Mark V Round	4" Skirt	9.8	21
CUL10L-HVYL	Mark V Round	Locking Bar	9.8	18
CUL10L-T	Mark V Triangle	Standard Lid	n/a	21
CUL10L-TL	Mark V Triangle	Locking Lid	n/a	25
CUL12L-HVY	Mark VII Round	2.5" Skirt	11.1	16
CUL12L-HVY4	Mark VII Round	4" Skirt	11.1	26



HVY
Standard Round 2½" Skirt



HVY4
Round 4" Skirt



HVYL
Round Locking Bar Lid



T
Triangle Standard



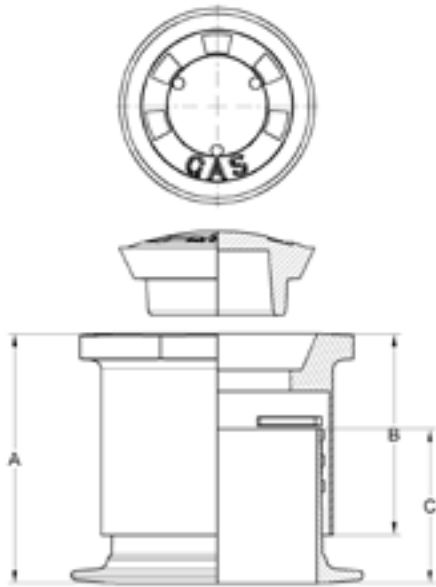
TL
Triangle Locking Lid

TO ORDER - SPECIFY: Rim Part Series, Lid Part Series, Lid Lettering

10" AND LARGER VALVE BOX

10" Cast Iron Valve Box #199 - I8B199 10" Plastic Valve Box #199 - P10Z

- Roadway box with round convex lid
- Convex lid is extra heavy and designed to prevent lid from dislodging in extreme traffic conditions
- Threads are drop turn for height adjustment
- Paving risers available



I8B199

EXTENSION RANGE - A	TOP SECTION & LID		BOTTOM SECTION		TOTAL WEIGHT
	WT.	DIM. B	WT.	DIM. C	
13-17	168	12	40	9	208

- Designed for use over valve that requires direct maintenance at the outer flanges
- The 10" I.D. allows tools to be operated directly from the surface
- Letters on lid as required, WATER or GAS
- Heavy duty frame and lid
- Length adjustment as required
- Screw or sliding adjustment available

TYPE	EXT. RANGE	TOP	BOTTOM
Screw	25-38	20	18
Screw	40-50	20	30
Slide	25-38	20	18
Slide	40-62	26	36
Slide	51-96	48	48



P10Z

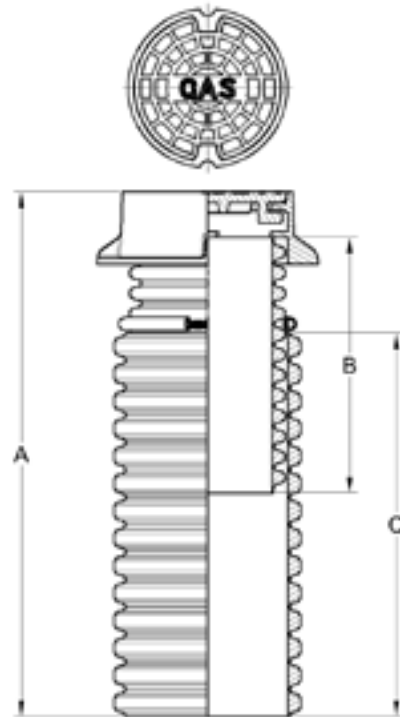
10" AND LARGER VALVE BOX

12" & 15" Plastic Valve Box - P12B / P15B

- Designed for use over larger poly and steel valves
- Two-piece telescoping box with smaller I.D. top and larger I.D. bottom available
- Heavy duty cast iron rim and drop-turn locking lid rated for heavy highway usage
- Heavy duty double wall corrugated plastic top and bottom sections
- Drop-in non-locking lids available
- Recommended to use Stabilizer ADP-MP with Valve Box (pg 54)

PART SERIES	TOP (I.D. 12")	BOTTOM (I.D. 15")	EXT. RANGE
P12B	24	24	32-49
	24	36	44-61
	24	48	56-73
	36	36	44-73
	36	48	56-85
	36	60	68-97
	36	72	80-109

PART SERIES	TOP (I.D. 15")	BOTTOM (I.D. 18")	EXT. RANGE
P15B	24	24	44-61
	24	-	-
	36	-	-
	48	-	-
	60	-	-
	72	-	-
	96	-	-



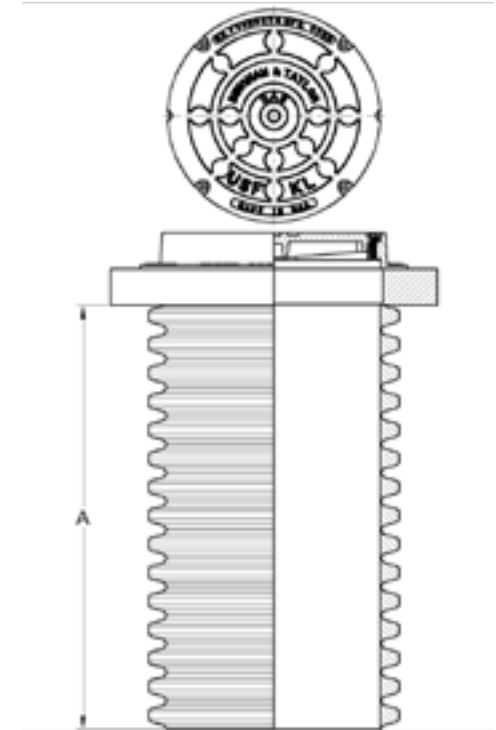
P12B / P15B
(Fig No. 1201 / 1501)

18" & 24" Plastic Valve Box - P18P / P24P

- Designed for use over larger poly and steel valves
- Single piece non-telescoping box
- Heavy duty cast iron rim and bolt-down locking lid rated for heavy highway usage
- Heavy duty double wall corrugated plastic
- Recommended to use Stabilizer ADP-MP with Valve Box (pg 54)

PART SERIES	A-LENGTH (I.D. 18")
P18P	72
	84
	120

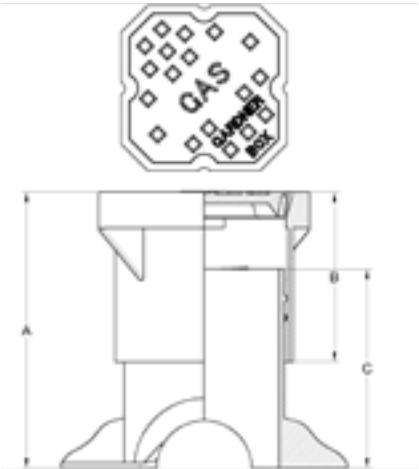
PART SERIES	A-LENGTH (I.D. 24")
P24P	48
	72
	96
	120
	144



P18P / P24P
(Fig No. 1801 / 2401)

12" Square CIP Valve Box - CUL812

- Extra large 12" round shaft screw type adjustable
- 12" Extension available: 68 lbs
- Paving Risers available



CUL812



CUL812A-SQ
 1" Raise: 55 lbs
 1 1/2" Raise: 67 lbs
 Uses Special Lid
 Lid: 27 lbs

PART SERIES	EXTENSION RANGE - A	TOP SECTION & LID		BOTTOM SECTION		TOTAL WEIGHT
		WT.	DIM. B	WT.	DIM. C	
200	18-26	145	13	66	15	211
201	24-37	173	19	77	21	250

CLEANOUT BOX

Cast Iron Cleanout Box

#107



IFL107

Cleanout Box for 4" Cleanouts

- 8" inside diameter
- 10" height
- Lid - 11 lbs.
- Box - 29 lbs.
- 1", 1½", 2" risers available

#8250



I8B8250

Clean Box for 4" Cleanouts

- 6" inside diameter
- 10" height
- Lid - 13 lbs.
- Box - 21 lbs.
- Standard risers 1"-6" available

#888



IFL888

Cleanout Box for 6" Cleanouts

- 8" inside diameter
- 9" height
- Drop turn locking lid
- Box & lid - 52 lbs

#1975



I8B1975

Cleanout Box for 8" Cleanouts

- 11" inside diameter
- 8" height
- Lid - 15 lbs.
- Box - 44 lbs.
- 1½" and 2" risers available

#668



CUL5R668DT

Cleanout Box for 6" Cleanouts

- 6" inside diameter
- 5¼" height
- Lid - 6 lbs.
- Box - 14 lbs.

#7621



I8B7621

Cleanout Box for 8" Cleanouts

- 10" inside diameter
- 4" height
- Lid - 19 lbs.
- Box - 22 lbs.

Cast Iron Drip Box

#106



I4B-106SQ
Square Head Drip Box

- Lid lettered GAS or GAS DRIP
- Risers available
- Weight 35 lbs

#55



I5B-55
Round Head Drip Box

- Can be furnished with square head instead of round head
- Lid lettered GAS or GAS DRIP
- Risers shown on Page 27
 - Round wt. 45 lbs
 - Square wt. 39 lbs

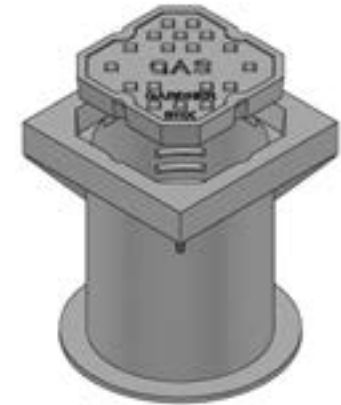
#178



I7B-178SQ
Square Head Drip Box

- Letter GAS
- 14" square flange at bottom
- Total weight 99 lbs
- Risers available

#48



I8B-48SQ
Octagon Head Drip Box

- Lid GAS
- Total weight 188 lbs
- 2" round flange at bottom
- Risers available

WARRANTY

Bingham & Taylor Commitment to Our Customers

The Bingham & Taylor family of employees is dedicated to providing you, our customers, with the highest quality products, support and service to successfully satisfy your requirements. Our service is fast and dependable, our prices are competitive and reasonable. We have been in continuous business since 1849 serving water and gas industries. Associate member of the American Water Works Association since 1882, member of the Water and Wastewater Equipment Manufacturers Association, Inc., and associate member of the American Gas Association.

Bingham & Taylor Corp. Limited Warranty

Effective July 1, 2021

Subject to the terms and conditions of this Limited Warranty, Bingham & Taylor Corp. ("Bingham & Taylor") warrants to the buyer that the Bingham & Taylor products listed below shall be free from defects in materials and workmanship, under normal conditions of use when sold as part of a Bingham & Taylor meter or valve access system.

Unless otherwise specified, this Limited Warranty for the applicable Bingham & Taylor products listed below shall begin on the date the product is sold to the buyer ("Commencement Date") and will expire after the following number of years:

- (a) Fifty (50) years for Bingham & Taylor cast iron and plastic valve boxes, lids, extensions, and bases when all are sold and used in combination with other Bingham & Taylor components;
- (b) Five (5) years for Bingham & Taylor injection molded meter pits and meter lids when all are sold and used in combination with other Bingham & Taylor components;
- (c) One (1) year for Bingham & Taylor cast iron, plastic, and injection molded products when sold or used in combination with non-Bingham & Taylor components;
- (d) One (1) year for any other Bingham & Taylor product not covered in (a) – (c) above.

Exclusions from Limited Warranty:

This limited warranty applies only if the applicable Bingham & Taylor products identified above:

- (a) are selected, configured and sold by a certified reseller recognized by Bingham & Taylor;
- (b) remain in their originally sold location;
- (c) are used only for the purpose of providing access to underground utilities;
- (d) are not misused, tampered with, mishandled, neglected, or accidentally damaged;
- (e) are not modified or repaired without the prior written approval of Bingham & Taylor;
- (f) are sold and used in accordance with applicable laws, rules, regulations and code requirements.

Without limiting the foregoing exclusions, this limited warranty does not apply if the product failure or resulting damage is caused by:

- (a) faulty installation;
- (b) components not manufactured or sold by Bingham & Taylor;
- (c) external physical or chemical conditions;
- (d) any abnormal operating conditions; or
- (e) damages incurred through secondary construction activities, roadwork, repaving, or excavation.

This limited warranty is not transferable by the buyer of the applicable Bingham & Taylor product.

Warranty Claim Process:

If the buyer of a Bingham & Taylor product which is subject to the limited warranty desires to make a breach of warranty claim, the buyer must provide written notification describing the alleged failure or defect to Bingham & Taylor, Attn: Warranty Department, 601 Nalle Place, Culpeper, VA 22701, within thirty (30) days after detection of the alleged failure or defect occurring within the applicable warranty period. The failure to give such written notice during such time voids the limited warranty with respect to such claim. All products alleged to have failed or to be defective must be sent to Bingham & Taylor for inspection and testing for determination of the cause of the alleged failure or defect.

Exclusive Remedies:

If Bingham & Taylor determines that a product which is subject to the limited warranty has failed or is defective within the applicable warranty period, Bingham & Taylor's liability is limited, at the option of Bingham & Taylor, to: issuing a refund of the purchase price paid by the buyer for the defective product or to repairing or replacing the defective product. BINGHAM & TAYLOR SHALL NOT HAVE ANY RESPONSIBILITY FOR LOSSES, EXPENSES OR SPECIAL, INDIRECT, SECONDARY, INCIDENTAL OR CONSEQUENTIAL DAMAGES ARISING OR RESULTING FROM ANY FAILURE OR DEFECT IN ANY PRODUCT SUBJECT TO THE LIMITED WARRANTY.

Warranty Claim Dispute Process:

In the event claimant and Bingham & Taylor are unable to resolve a claim through informal means, the parties shall submit the dispute to the American Arbitration Association or its successor (the "Association") for arbitration under its Commercial Arbitration Rules, and any arbitration proceeding shall be conducted before a single arbitrator in Culpeper, Virginia.

NOTWITHSTANDING THE FOREGOING, NEITHER THE CLAIMANT NOR BINGHAM & TAYLOR CORP. SHALL BE ENTITLED TO ARBITRATE ANY CLAIMS AS A REPRESENTATIVE OR MEMBER OF A CLASS, AND NEITHER THE CLAIMANT NOR BINGHAM & TAYLOR SHALL BE ENTITLED TO JOIN OR CONSOLIDATE CLAIMS WITH ANY OTHER PARTIES IN ARBITRATION OR IN LITIGATION BY CLASS ACTION OR OTHERWISE.

Miscellaneous:

This limited warranty and any claims arising from breach of contract, breach of warranty, tort, or any other claim arising from the sale or use of Bingham & Taylor's products shall be governed and construed under the laws of the State of Virginia. Bingham & Taylor sales representatives, distributors, and contracting professionals have no express or implied authority to bind Bingham & Taylor to any agreement or warranty of any kind without the prior written consent of Bingham & Taylor.

No Other Warranty

THIS LIMITED WARRANTY IS THE FULL EXTENT OF THE WARRANTY PROVIDED BY BINGHAM & TAYLOR. BINGHAM & TAYLOR HEREBY DISCLAIMS ANY OTHER EXPRESS OR IMPLIED WARRANTIES, INCLUDING, WITHOUT LIMITATION, THE IMPLIED WARRANTIES OF MERCHANTABILITY AND FITNESS FOR A PARTICULAR PURPOSE.

All shipments are made F.O.B. Shipping Point

TO ORDER

(540) 825-8334

orders@bandt-us.com

VISIT OUR WEBSITE

www.bandt-us.com



BINGHAM & TAYLOR
Built on Quality - Focused on Innovation

601 Nalle Place • Culpeper, VA 22701