

Once the PDF is filled out, please select "save as" and insert your name within the file name. See the naming structure below:

BrandName_DocumentType_ProductNameORSeries_Rev_InsertNameHere

Upload the document within your request for information

--> [Click here to return to ShopCRWall.](#)

© CR Wall

- The service space requirements are shown on the sales drawing for your project. Ample space should also be allowed for easy access, disassembly, and inspection of the filter and its components.
- The filter should be mounted in a upright vertical position with the legs on a level foundation. To prevent movement the legs may be bolted or lagged. Small or special design filters may be mounted or supported by other means with the consent of the factory.
- Special care should be taken in the design and installation of the piping to the filter. The piping system should be sufficiently sized to minimize ΔP. Most piping systems are sloped to accessible drain points.
- Instrumentation of some type is common for most filter systems in the form of gauges, sensors and/or switches. The use of instruments can save time and money reducing visual inspections. Typical change out is between 5 & 10 PSI differential.
- All systems should be carefully pressure tested, inspected, and cleaned before being placed in service. Many process systems require special purging or pickling, and may require filter changes or special start-up cartridges for this procedure.

ASME U Stamp: Yes / No _____

Gas Type: ___ Air ___ Nat Gas _____ other

Gas Spec. Grav.: _____ (if other than air)

Flow:
 Normal Flow: SCF/ _____ (Min., Hr., Day)
 Maximum Flow: SCF/ _____ (Min., Hr., Day)

Connections:
 Inlet Size Inch
 Inlet Type (MPT, Flange & Type, etc)
 Outlet Size Inch
 Outlet Type (MPT, Flange & Type, etc)
 Outlet elevation inches above inlet C.L.
 (std. is same C.L.)
 Inlet Location (std is @ 90°)
 Outlet Location (std is @ 270°)

Materials of Construction:
 Carbon Steel (Yes / No)
 304L (Yes / No)
 316L (Yes / No)
 other:

Pressure:
 Design Pres PSIG
 Operating Pres. PSIG
 Flange Rating ANSI

Temperature:
 Design Temp. ° F
 Operating Temp. ° F

Other Ports:
 Vent Size, inch Type: _____
 Drain Size, inch Type: _____
 ΔP Taps Size, inch.. Type: _____

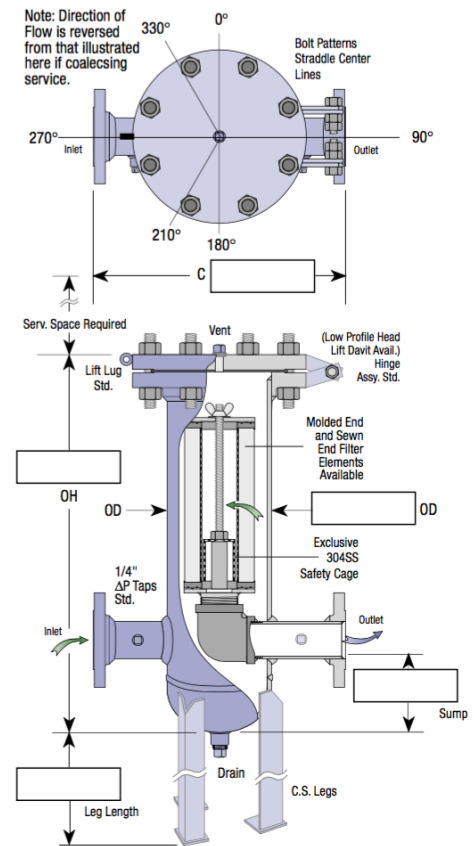
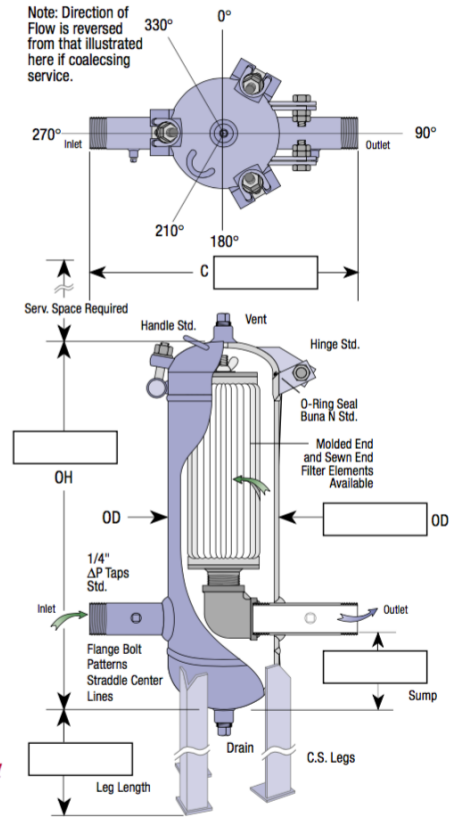
Cover Options:
 w/Hinge & Lug (Yes / No)
 w/HeadLift Davit..... (Yes / No)

Legs: (std is 3 @ 90°, 210°, 330°) (3 or 4)

Tank Gasket:
 Std (Yes / No)
 other

Filter Element:
 Cat. No.
 Reten. Needed μ (micron)

Select either Hinged Swing Bolt Closure Shown Above, or Hinged Flange Closure shown below.



Details & Special Requirements: