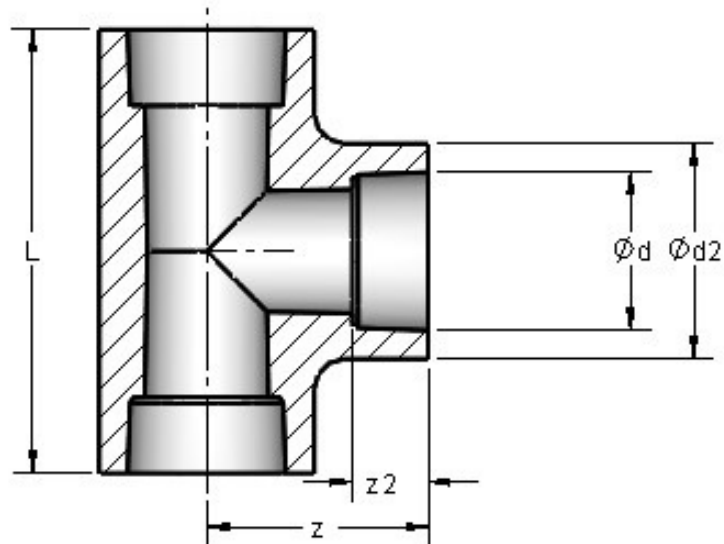


SOCKET FITTINGS TEES: PE2708, IPS x IPS, DR7

- Approval: ASTM D2513
- Approval: ASTM D2683
- Approval: IAPMO
- Approval: CSA B137.4 (indicated with *)

Main Size (inch)	GF Code	weight (lb)	CSA	d (inch)	d2 (inch)	z (inch)	z2 (inch)	L (inch)	Box Qty
0.5 x 0.5	360 002 196	0.1	*	0.81	1.20	1.31	0.65	2.66	100
0.75 x 0.75	360 002 199	0.1	*	1.02	1.49	1.63	0.73	3.25	100
1 x 1	360 002 206	0.2	*	1.27	1.85	1.69	0.76	3.41	100
1.25 x 1.25	360 002 208	0.4	*	1.62	2.30	2.10	0.98	4.22	100
1.5 x 1.5	360 002 211	0.6	*	1.80	2.65	2.34	0.97	4.67	40
2 x 2	360 002 213	1.0	*	2.34	3.27	2.78	0.97	5.40	30
3 x 3	360 002 216	4.1	*	4.45	5.25	4.20	1.19	8.28	8
4 x 4	360 002 235	8.6	*	4.45	6.53	5.64	1.33	11.14	4



The technical data are not binding. They neither constitute expressly warranted characteristics nor guaranteed properties nor a guaranteed durability. They are subject to modification. Our General Terms of Sale apply.

Georg Fischer Piping Systems Ltd, Postfach, CH-8201 Schaffhausen/Switzerland

Phone +41 -(0)52-631 1111

e-mail: info.ps@georgfischer.com

Internet: <http://www.gfps.com>