



s.95 NPT spring return

1/4" - 2"



Access to fluid systems in public places could potentially convert into costs and safety problems.

In order to avoid unattended valves being left open with negative economic or environmental consequences, **RuB** developed the automatic self-closing valve.

The valve can be opened normally by rotating the handle 90° and when the user releases the handle, the valve shuts off automatically.

Best solution for service stations, trucks, public areas, gardens. The same feature is useful in industrial applications, where a valve must not be left open unattended.



Quality

- 24h 100% seal test guaranteed
- Dual sealing system allows valve to be operated in either direction making installation easier
- No metal-to-metal moving parts
- No maintenance ever required
- Handle clearly shows ball position
- Silicone-free lubricant on all seals
- Handle stops on body to avoid stresses at stem
- Chrome plated brass ball for longer life

Body

- Hot forged sand blasted, unplated brass body and cap sealed with Loctite® or equivalent thread sealant
- Finest brass according to EN 12165 and EN 12164 specifications

Stem

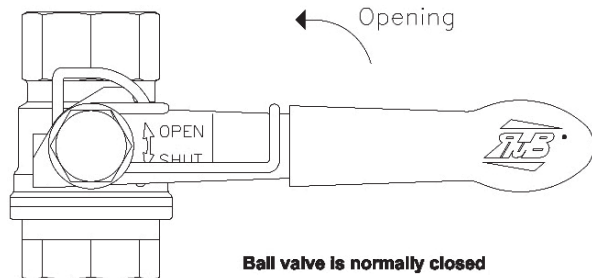
- Blowout-proof nickel plated brass stem
- Maintenance-free, double FPM O-rings at the stem for maximum safety

Sealing

- Pure PTFE self-lubricating seats with flexible-lip design

Threads

- NPT taper ANSI B.1.20.1 female by female threads



Flow

- Full port to DIN 3357 for maximum flow

Handle

- Robust spring ensures auto shut-off with max pressure in valve
- Geomet® carbon steel handle with thick PVC dip coating. Handle coating offers both thermal and electrical protection
- **WARNING:** do not exceed reasonable temperature and/or electrical load

Working pressure & temperature

- 600 PSI (40 bar) non-shock cold working pressure
- 250 PSI (17 bar) non-shock working pressure for LP-Gas
- -40°F / +350°F (-40°C / +170°C)
- **WARNING:** freezing of the fluid in the installation may severely damage the valve

Options

- Stainless steel handle (1.4016 / AISI 430)

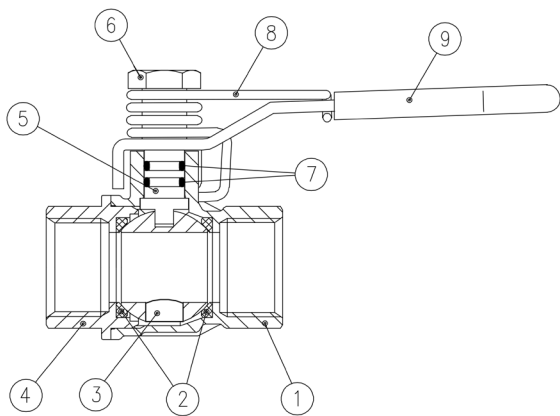
Upon request

- Stainless steel ball (1.4401 / AISI 316)
- Custom design

Approved by or in compliance with

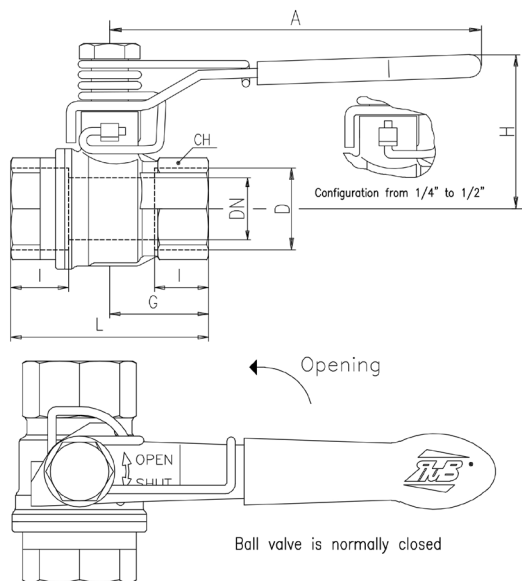
- GOST-R (Russia)
- Underwriters Laboratories (United States, Canada):
 - Guide YSDT: LP-Gas shut-off valve
 - Guide YRBX: Flammable liquid shut-off valve
 - Guide YRPV: Gas shut-off valve for use with natural and manufactured gases
 - Guide MHKZ: No. 6 oil at 250°F
- Canadian standards Association (United States, Canada)
- Factory Mutual (United States)
- RoHS Compliant (EU)
- Meeting WW-V-35C Federal U.S. Specification (United States)

NOTE: approvals apply to specific configurations/sizes only.



	Part description	Q.ty	Material
1	Unplated NPT body	1	CW617N
2	Seat	2	PTFE
3	Chrome plated ball	1	CW617N
4	Unplated NPT end-cap	1	CW617N
5	Nickel plated stem O-ring design	1	CW617N
6	Unplated spring nut	1	CW617N
7	O-Ring	2	FPM
8	Spring return	1	1.4310 (AISI 302)
9	Yellow PVC coated Geomet® steel handle	1	DD11 (EN10111)

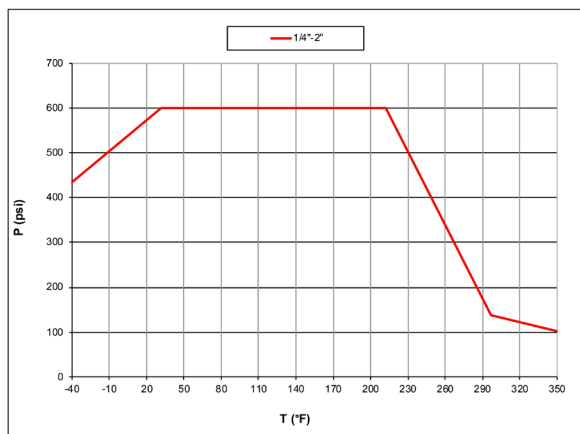
1 1/4"- 2" hollow ball



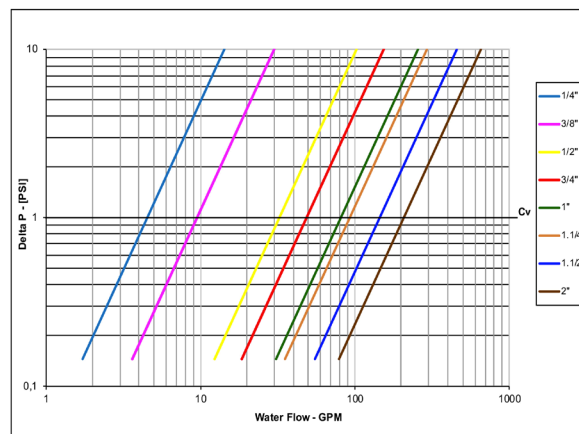
Code	S95B41MRS	S95C41MRS	S95D41MRS	S95E41MRS	S95F41MRS	S95G41MRS	S95H41MRS	S95I41MR
D (Inch)	1/4	3/8	1/2	3/4	1	1 1/4	1 1/2	2
DN (inch)	0.314	0.393	0.590	0.787	0.984	1.259	1.574	1.968
I (inch)	0.472	0.472	0.610	0.669	0.826	0.905	0.905	1.043
L (inch)	1.771	1.771	2.322	2.519	3.188	3.661	4.015	4.763
G (inch)	0.885	0.885	1.161	1.259	1.594	1.830	2.007	2.381
A (inch)	3.937	3.937	3.937	4.724	4.724	6.220	6.220	6.220
H (inch)	1.504	1.504	1.679	1.956	2.114	2.858	3.094	3.370
CH (inch)	0.669	0.787	0.984	1.220	1.574	1.929	2.125	2.696
Cv (GPM)	4.5	9.5	32.3	48.5	80.9	92.4	144.4	206.8

DN shows the nominal flow diameter. Actual flow diameter complies with full port DIN 3357 part 4.

Pressure-temperature chart



Pressure drop chart



WARNING: This product can expose you to chemicals including lead which is known to the state of California to cause cancer and birth defects or other reproductive harm. For more information go to www.P65Warnings.ca.gov

XCES95MR - 4711