

The ORIGINAL SKINNER PIPE REPAIR CLAMPS



2021 Product Catalog & Price Schedule

Effective January 1st, 2021

Manufacturer's Suggested List Prices

Prices Are Subject to Change Without Advance Notice

Order by Part Number

SKINNER-SEAL®

www.skinnerco.com

sales@skinnerco.com

MADE IN



U. S. A.





Emergency Pipe Clamp

Repairs Pit Holes, Splits and Corrosion Leaks



Model "EM"

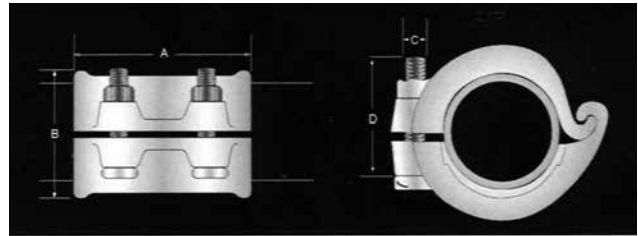
Applied in seconds outlast the pipe itself

The Emergency Pipe Clamp is used for repairing pit holes, splits and corrosion leaks in both steel, ductile and cast iron pipe lines. The clamp is totally effective under extreme pressure or temperature. For over 100 years, the Emergency Pipe Clamp has been the universal repair clamp worldwide.

The clamp can be used on pipes for gas, water, oil or ammonia. The repair lasts for years.

The Emergency Pipe Clamp offers triple savings. These savings include: the cost of new pipe, the time and labor of replacing old pipe, and the expense of shutting down while work is being done. This can amount to thousands of dollars.

Installation of the Emergency Pipe Clamp is easy. Because of the long open hinge, the two halves of the clamp slide together along the pipe when conditions are crowded. The clamp is usually put on under pressure, without interruption of service. The gasket which is cemented into a slight recess in the bottom half cannot "blow out". Bolts can be inserted from either side so that the clamp can be installed easily under the most awkward conditions. The Emergency Pipe Clamp is made of ductile iron, strongly proportioned, and fitted with sturdy, electroplated Grade 5 steel bolts. All clamps are E-coated (black) to resist rust. Gaskets are Buna-N. Max Temp 250°F



Specifications

Size Pipe, IPS (inches)	1/2	3/4	1	1 1/4	1 1/2	2	2 1/2	3
Length "A" (inches)	3 1/4	3 1/4	3 1/2	3 3/4	4	4 1/4	4 1/2	4 3/4
Width "B" (inches)	1 3/4	2	2 3/8	2 3/4	3 1/8	3 5/8	4 1/4	4 3/4
Bolt Diameter "C" (inches)	5/16	5/16	3/8	3/8	3/8	7/16	1/2	1/2
Bolt Length "D" (inches)	2	2	2 1/2	2 1/2	2 1/2	2 3/4	3 1/2	3 1/2
Number of Bolts	2	2	2	2	2	2	2	2

Size Pipe, IPS (inches)	3 1/2	4	5	6	8	10	12
Length "A" (inches)	5 3/8	6	7 1/8	8	9 7/8	11 7/8	12
Width "B" (inches)	6 1/8	6 1/4	7 1/2	8 1/2	10 7/8	13	15 1/8
Bolt Diameter "C" (inches)	1/2	1/2	1/2	1/2	5/8	5/8	5/8
Bolt Length "D" (inches)	3 1/2	4	4	4	5	5	5
Number of Bolts	2	2	3	3	3	4	4



Price Schedule

EMERGENCY CLAMPS				BOLTS ONLY		
Size (inches)	Part Number	Sugg. List Price	Approx. Weight (lbs.)	Size (inches)	Part Number	Sugg. List Price Each
1/2	089906	\$ 50.00	1.25	5/16 x 2	080098	\$ 2.00
3/4	089905	\$ 50.00	1.5	5/16 x 2	080098	\$ 2.00
1	089904	\$ 52.00	1.75	3/8 x 2 1/2	080100	\$ 2.00
1 1/4	089903	\$ 61.00	2.62	3/8 x 2 1/2	080100	\$ 2.00
1 1/2	089902	\$ 65.00	3.5	3/8 x 2 1/2	080100	\$ 2.00
2	089899	\$ 75.00	3.75	7/16 x 2 3/4	080102	\$ 3.00
2 1/2	089896	\$ 82.00	4.75	1/2 x 3 1/2	080103	\$ 3.70
3	089891	\$ 92.00	6	1/2 x 3 1/2	080103	\$ 3.70
3 1/2	089889	\$ 145.00	8	1/2 x 4	080104	\$ 6.00
4	089888	\$ 145.00	10	1/2 x 4	080104	\$ 6.00
5	089886	\$ 258.00	15	1/2 x 4	080104	\$ 6.00
6	089885	\$ 310.00	18	1/2 x 4	080104	\$ 6.00
8	089883	\$ 500.00	32.5	5/8 x 5	080864	\$ 9.00
10	089882	\$ 775.00	50	5/8 x 5	080864	\$ 9.00
12	089881	\$ 930.00	58	5/8 x 5	080864	\$ 9.00

For high temperature applications, Viton gaskets are available.

Emergency Clamp Components

Body Ductile Iron Castings ASTM 395-80 536-94

Gasket Buna N Material NBR ASTM D 2000

Durometer 50 +/- 5

-40 Degrees F-250 Degrees F Temperature Range

Hardware SAE Grade 5, Zinc Plated C-1541 Steel

E Coating JDM F11T3 18 Mill Thickness

VITON GASKETS AVAILABLE

Size (inches)	Torque	Working Pressure	Size (inches)	Torque	Working Pressure
1/2	10 ft.lbs.	600 psi	3	40 ft.lbs.	500 psi
3/4	10 ft.lbs.	600 psi	3 1/2	40 ft.lbs.	500 psi
1	18 ft.lbs.	600 psi	4	50 ft.lbs.	500 psi
1 1/4	18 ft.lbs.	600 psi	5	50 ft.lbs.	450 psi
1 1/2	18 ft.lbs.	600 psi	6	50 ft.lbs.	400 psi
2	40 ft.lbs.	600 psi	8	60 ft.lbs.	300 psi
2 1/2	40 ft.lbs.	600 psi	10	60 ft.lbs.	200 psi
			12	60 ft.lbs.	200 psi



Pipeline Clamp

For Long Splits or Extensive Corrosion

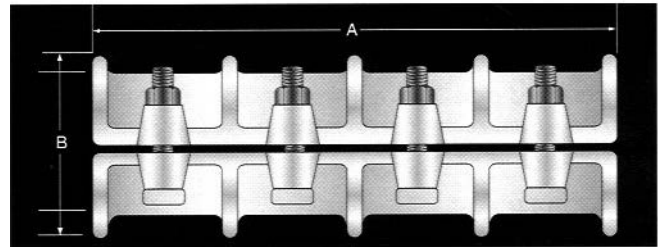
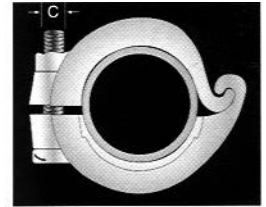


Model "PL"

There is nothing like the Skinner Pipeline Clamp for long splits in pipe or extensive corrosion resulting in a series of pit holes. It has the same construction as the Emergency Pipe Clamp except it is double in length. The ample weight of this clamp gives a generous margin of safety for high pressure work.

With bolts on only one side and a hinge along the other, it can very quickly be installed under pressure, without interruption of service.

The Pipeline Clamp is made of ductile iron, heavily reinforced design throughout, equipped with a special crescent-shaped pressure-equalizing gasket for each individual pipe size and cemented in place. Gasket is BunaN. Max Temp 250°F



Specifications

Size Pipe, IPS (inches)	3/4	1 1/4	1 1/2	2	3	4	6
Length "A" (inches)	7 1/2	8 1/2	9	10	11	12	14
Width "B" (inches)	2 1/8	2 3/4	3	3 5/8	5 1/4	6 1/4	8 1/2
Bolt Diameter "C" (inches)	5/16	3/8	3/8	7/16	1/2	1/2	5/8
Bolt Length "D" (inches)	2	2 1/2	2 1/2	2 3/4	3 1/2	3 1/2	5
Number of Bolts	4	4	4	4	4	4	4

Pipeline Clamp Components

- Body** Ductile Iron Castings ASTM 395-80 536-94
- Gasket** Buna N Material NBR ASTM D 2000
Durometer 50 +/- 5
-40 Degrees F-250 Degrees F Temperature Range
- Hardware** SAE Grade 5, Zinc Plated C-1541 Steel
- E Coating** JDM F11T3 18 Mill Thickness

VITON GASKETS AVAILABLE



Price Schedule

PIPELINE CLAMPS				BOLTS ONLY		
Size (inches)	Part Number	Sugg. List Price	Approx. Weight (lbs.)	Size (inches)	Part Number	Sugg. List Price
3/4	089875	\$ 91.00	3.75	5/16 x 2	080098	\$ 2.00
1 1/4	089873	\$ 120.00	4.75	3/8 x 2 1/2	080100	\$ 2.00
1 1/2	089872	\$ 144.00	6.5	3/8 x 2 1/2	080100	\$ 2.00
2	089871	\$ 195.00	9	7/16 x 3 1/2	080102	\$ 3.00
3	089869	\$ 290.00	15	1/2 x 3 1/2	080103	\$ 3.70
4	089868	\$ 320.00	17.5	1/2 x 3 1/2	080103	\$ 3.70
6	089866	\$ 580.00	31.5	5/8 x 5	080864	\$ 9.00

For high temperature applications, Viton gaskets are available.

Size (inches)	Torque	Working Pressure	Size (inches)	Torque	Working Pressure
3/4	10 ft. lbs.	600 psi	2	25 ft. lbs.	500 psi
1 1/4	18 ft. lbs.	500 psi	3	40 ft. lbs.	400 psi
1 1/2	18 ft. lbs.	500 psi	4	40 ft. lbs.	300 psi
			6	60 ft. lbs.	300 psi

**BAND CLAMP****MODEL BCEC****Snap Band Clamp**

- Clamp for small pinhole leaks.
- Band is 304 Stainless Steel
- Gasket material is BunaN Rubber
- Nodular Iron Lugs and alloy bolts with Heavy Hex nuts
- **Sizes 1/2" through 8" in 3" or 6" widths.**
Also 2" - 8" in 9", 12" width.
- Pressure Rating: 300 psi max.
- Temperature Rating: 250°F

**Hardware Torque Specifications for Band Clamps**

3/8" Bolts 1/2" to 1 1/2" OD	15-25 FT-LBS
1/2" Bolts up to 2.00"-4.73" OD	30-35 FT-LBS
5/8" Bolts over 4.74" OD	70-80 FT-LBS

3" WIDE - 2 bolts					6" WIDE - 2 bolts			
Size	Part #	Suggested List Price	Approx. Wt. (lbs.)	O.D. Range	Part #	Suggested List Price	Approx. Wt. (lbs.)	O.D. Range
1/2"	089999	\$ 17.50	0.54	0.84	089983	\$ 32.20	1.08	0.84
3/4"	089998	\$ 17.84	0.55	1.05	089982	\$ 33.20	1.10	1.05
1"	089997	\$ 19.37	0.56	1.32	089981	\$ 35.40	1.12	1.32
1 1/4"	089996	\$ 20.07	0.58	1.66	089980	\$ 37.27	1.16	1.66
1 1/2"	089995	\$ 21.47	0.60	1.90	089979	\$ 40.47	1.20	1.90
2"	089994	\$ 23.10	1.00	2.38	089978	\$ 58.70	2.00	2.38
2.5"	089992	\$ 29.37	1.05	2.88	089976	\$ 58.64	2.10	2.88
3"	089991	\$ 30.77	1.30	3.5	089975	\$ 62.11	2.60	3.50
3.5"	089990	\$ 33.20	1.35	4.00	089973	\$ 64.37	2.70	4.00
4"	089989	\$ 35.64	1.40	4.50	089972	\$ 66.11	2.80	4.50
5"					089969	\$ 80.11	3.20	5.56
6"	089985	\$ 42.51	1.85	6.63	089967	\$ 83.38	3.70	6.63
8"	089984	\$ 49.91	2.20	8.63	089966	\$ 96.91	4.40	8.63

9" WIDE - 3 bolts					12" WIDE - 4 bolts			
Size	Part #	Suggested List Price	Approx. Wt. (lbs.)	O.D. Range	Part #	Suggested List Price	Approx. Wt. (lbs.)	O.D. Range
2"	089974	\$ 67.81	3.20	2.38	089977	\$ 117.55	4.00	2.38
2.5"					090013	\$ 117.75	4.20	2.88
3"	090015	\$ 102.21	3.60	3.50	089987	\$ 138.95	5.20	3.50
4"	089970	\$ 123.82	4.00	4.50	089988	\$ 165.92	5.60	4.50
5"	090016	\$ 134.75	4.80	5.56	090018	\$ 181.22	6.40	5.56
6"	090012	\$ 140.45	6.20	6.63	089968	\$ 182.09	6.90	6.63
8"	090017	\$ 153.75	6.60	8.63	089971	\$ 216.93	7.40	8.63



BAND CLAMP

MODEL BCFC

Full Circle Band Clamp

- Features 360 degree gasket for added reliability.
- Band is 304 Stainless Steel
- Gasket material is Buna-N Rubber
- Nodular Iron Lugs & alloy bolts w/Hex nuts.
- Sizes 3/4" through 2" in 3" or 6" widths
- Pressure Rating: 300 psi max.
- Temperature Rating: 250°F



Model BCFC Full Circle Band Clamp design is similar to the above Model BCEC Band Clamp but features a full circle gasket for added reliability.

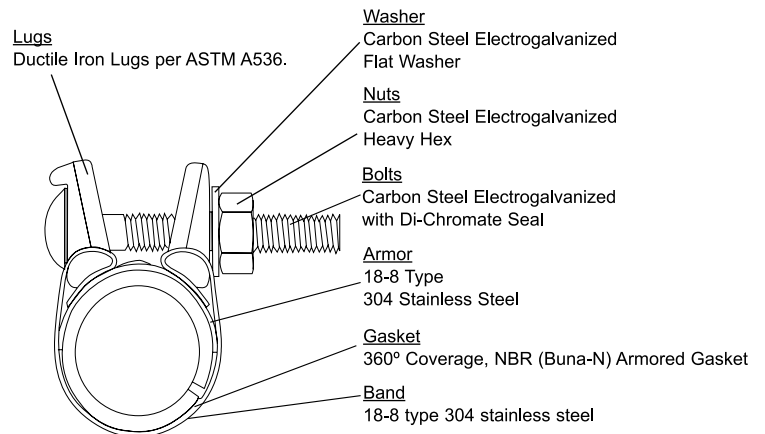
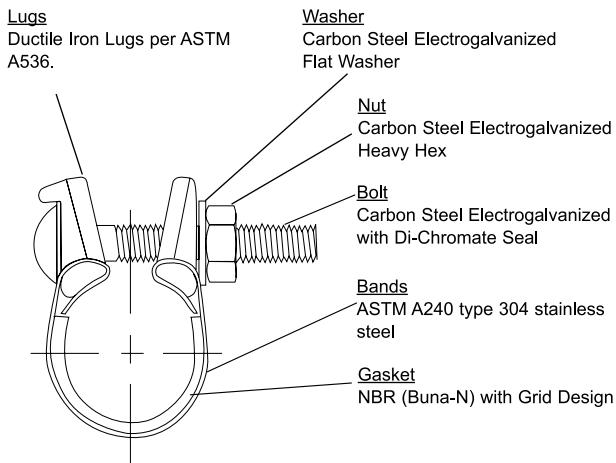
Installation Procedure:

- Thoroughly clean the damaged area with a wire brush. This will assure a bubble tight gasket seal.
- Back off the nuts to the ends of the bolt, but do not remove them. Separate the clamp.
- Make sure the gasket extends past damaged area.
- Relocate the bolt heads securely into their receiving lugs. Tighten 3/8" bolts to 25 ft/lbs, 7/16" bolts 35 ft/lbs on 2" size.
- Pressure test for leaks before leaving area.

3" WIDE - 1 bolt					6" WIDE - 2 bolts			
Size	Part #	Suggested List Price	Approx. Wt. (lbs.)	O.D. Range	Part #	Suggested List Price	Approx. Wt. (lbs.)	O.D. Range
1/2"	089929	\$ 48.64	0.50	0.84				
3/4"	089930	\$ 49.27	0.78	1.05	089936	\$ 104.21	1.56	1.05
1"	089931	\$ 52.14	0.85	1.32	089937	\$ 104.95	1.50	1.32
1 1/4"	089932	\$ 53.77	0.92	1.66	089938	\$ 106.91	1.87	1.66
1 1/2"	089933	\$ 54.91	1.03	1.90	089939	\$ 108.21	2.05	1.90
2"	089934	\$ 59.77	1.50	2.38	089940	\$ 111.08	3.00	2.38

SNAP CLAMPS (BCEC)

WRAP CLAMPS (BCFC)



**BAND CLAMP****MODEL BCSB****All Stainless Steel Single Band**

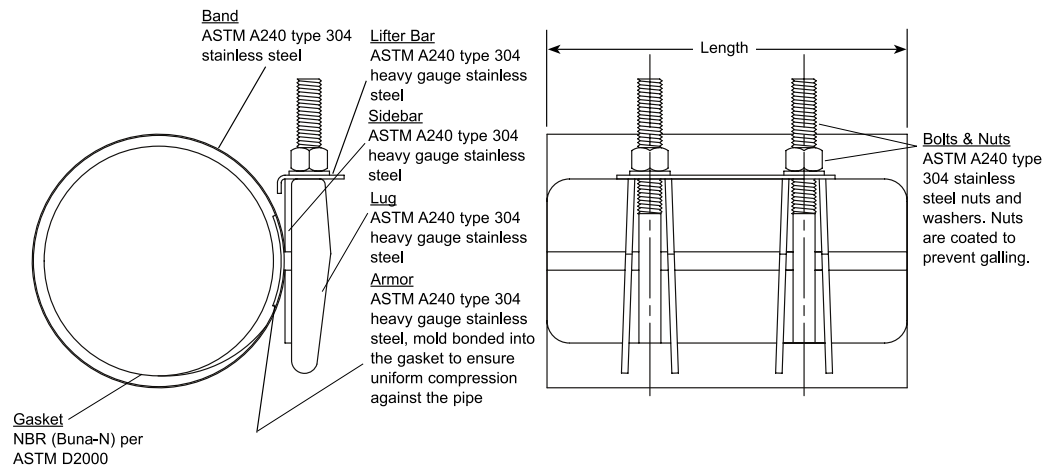
- 18-8 Type 304 Stainless Steel band
- 18-8 Type 304 Stainless Steel Bolts & Nuts
- Gasket material is Buna-N Rubber
- Side Bars and Lifter Bar 188 Stainless Steel
- **Sizes 2" through 12" in 7.5" or 12.5" widths. Also 6", 10", 15", 20", 24", 30" width.**
- Temperature Rating: 250°F
- Max Pressure Rating:

2" - 500 psi	8" - 250 psi
3" - 450 psi	10" - 200 psi
4" - 450 psi	12" - 175 psi
6" - 350 psi	



6" WIDE - 2 bolts					7-1/2" WIDE - 2 bolts			
Size	Part #	Suggested List Price	Approx. Wt. (lbs.)	O.D. Range	Part #	Suggested List Price	Approx. Wt. (lbs.)	O.D. Range
2"	090019	\$ 119.18	4.00	2.35-2.63	089941	\$ 134.42	4.00	2.35-2.63
3"	090020	\$ 138.42	4.00	3.46-3.70	089942	\$ 157.25	5.00	3.46-3.70
4"	090021	\$ 143.52	5.00	4.45-4.73	089943	\$ 165.42	6.00	4.45-4.73
6"					089944	\$ 199.09	7.00	6.56-6.96
8"					089945	\$ 233.46	8.00	8.54-8.94
10"					089946	\$ 321.57	11.00	10.60-11.04
12"					089947	\$ 365.58	13.00	12.60-13.02

10" WIDE - 3 bolts					12-1/2" WIDE - 3 bolts / *4 bolts			
Size	Part #	Suggested List Price	Approx. Wt. (lbs.)	O.D. Range	Part #	Suggested List Price	Approx. Wt. (lbs.)	O.D. Range
2"	090000	\$ 172.85	5.00	2.35-2.63	089948	\$ 191.59	5.00	2.35-2.63
3"	090002	\$ 206.03	5.00	3.46-3.70	089949	\$ 227.60	6.00	3.46-3.70
4"	090003	\$ 226.93	7.00	4.45-4.73	089950	\$ 264.80	8.00	4.45-4.73
6"	090026	\$ 270.13	9.00	6.56-6.96	089951	\$ 318.31	10.00	6.56-6.96
8"	090004	\$ 309.21	10.00	8.54-8.94	089952	\$ 374.28	11.00	8.54-8.94
10"	090027	\$ 436.12	14.00	10.60-11.04	089953*	\$ 504.86	16.00	10.60-11.04
12"	090028	\$ 483.46	16.00	12.60-13.02	089954*	\$ 584.71	18.00	12.60-13.02

REPAIR CLAMPS (BCSB)**2" - 12" ALL STAINLESS STEEL CIRCLE REPAIR CLAMPS**


**BAND CLAMP
(continued)**
MODEL BCSB
All Stainless Steel Single Band

15" WIDE - 4 bolts					20" WIDE - 6 bolts			
Size	Part #	Suggested List Price	Approx. Wt. (lbs.)	O.D. Range	Part #	Suggested List Price	Approx. Wt. (lbs.)	O.D. Range
2"	090001	\$ 251.90	7.00	2.35-2.63				
3"	090030	\$ 278.73	9.00	3.46-3.70				
4"	090031	\$ 288.04	10.00	4.45-4.73	090037	\$ 467.59	14.00	4.45-4.73
6"	090032	\$ 352.04	14.00	6.56-6.96	090038	\$ 579.74	17.00	6.56-6.96
8"	090005	\$ 427.85	15.00	8.54-8.94	090033	\$ 626.38	19.00	8.54-8.94
10"	090034	\$ 580.94	24.00	10.60-11.04	090039	\$ 775.76	28.00	10.60-11.04
12"	090035	\$ 661.02	27.00	12.60-13.02	090040	\$ 921.12	30.00	12.60-13.02

24" WIDE - 7 bolts					30" WIDE - 9 bolts			
Size	Part #	Suggested List Price	Approx. Wt. (lbs.)	O.D. Range	Part #	Suggested List Price	Approx. Wt. (lbs.)	O.D. Range
4"	090043	\$ 595.97	16.00	4.45-4.73	090050	\$ 645.00	21.00	4.45-4.73
6"	090044	\$ 698.49	21.00	6.56-6.96	090051	\$ 780.90	27.00	6.56-6.96
8"	090045	\$ 782.63	24.00	8.54-8.94	090052	\$ 915.95	30.00	8.54-8.94
10"	090046	\$ 1,146.44	32.00	10.60-11.04	090053	\$ 1,299.16	42.00	10.60-11.04
12"	090047	\$ 1,267.36	36.00	12.60-13.02	090054	\$ 1,437.78	48.00	12.60-13.02

Contact factory for any sizes not listed.

Model BC-SB all Stainless Steel Single Section Band Clamp design allows for quick one-man installation. Excellent design for applications on corrosive materials or on buried water mains where corrosive soil is present. Bolts fit into lugs without removing nuts.

Hardware Torque Specifications for Band Clamps

3/8" Bolts 1/2" to 1 1/2" OD	15-25 FT-LBS
1/2" Bolts up to 2.00"-4.73" OD	30-35 FT-LBS
5/8" Bolts over 4.74" OD	70-80 FT-LBS

**BAND CLAMP****MODEL BCDB****All Stainless Steel Double Band**

- 18-8 Type 304 Stainless Steel band
- 18-8 Type 304 Stainless Steel Bolts & Nuts
- Gasket material is Buna-N Rubber
- Side Bars and Lifter Bar 188 Stainless Steel
- Sizes 4" through 8" in 7.5" or 12.5" widths
- **Sizes 10" through 16" in 10" or 12.5" widths.**

- Also 10", 15", 20", 24", 30" width.**
- Temperature Rating: 250°F
 - Pressure Rating:

4" - 450 psi	10" - 325 psi
6" - 400 psi	12" - 325 psi
8" - 350 psi	14" - 300 psi
	16" - 300 psi



7-1/2" WIDE - 4 bolts					12-1/2" WIDE - 6 bolts / *8 bolts			
Size	Part #	Suggested List Price	Approx. Wt. (lbs.)	O.D. Range	Part #	Suggested List Price	Approx. Wt. (lbs.)	O.D. Range
4"	089956	\$ 251.36	11.00	4.44-5.24	089961	\$ 387.98	18.00	4.44-5.24
6"	089957	\$ 291.24	12.00	6.62-7.42	089962	\$ 436.32	19.00	6.62-7.42
8"	089958	\$ 332.47	13.00	8.62-9.42	089963	\$ 485.63	21.00	8.62-9.42
10"					089964*	\$ 760.30	23.00	10.70-11.50
12"					089965*	\$ 863.24	25.00	12.70-13.50
14"					090073*	\$ 975.79	27.00	15.07-15.82
16"					090074*	\$ 1,051.80	29.00	17.15-17.90

10" WIDE - 6 bolts					15" WIDE - 8 bolts			
Size	Part #	Suggested List Price	Approx. Wt. (lbs.)	O.D. Range	Part #	Suggested List Price	Approx. Wt. (lbs.)	O.D. Range
10"	089959	\$ 545.37	18.00	10.70-11.50	090055	\$ 784.36	32.00	10.70-11.50
12"	089960	\$ 623.88	19.00	12.70-13.50	090056	\$ 886.68	34.00	12.70-13.50
14"	090071	\$ 706.65	20.00	15.07-15.82	090057	\$ 1,067.57	36.00	15.07-15.82
16"	090072	\$ 806.37	22.00	17.15-17.90	090058	\$ 1,169.88	38.00	17.15-17.90

Contact factory for any sizes not listed.



**BAND CLAMP
(continued)**

MODEL BCDB

All Stainless Steel Double Band

20" WIDE - 12 bolts					24" WIDE - 14 bolts				30" WIDE - 18 bolts			
Size	Part #	Suggested List Price	Approx. Wt. (lbs.)	O.D. Range	Part #	Suggested List Price	Approx. Wt. (lbs.)	O.D. Range	Part #	Suggested List Price	Approx. Wt. (lbs.)	O.D. Range
10"	090059	\$ 1,049.10	41.00	10.70-11.50	090063	\$ 1,413.28	50.00	10.70-11.50	090067	\$ 1,636.10	54.00	10.70-11.50
12"	090060	\$ 1,211.95	44.00	12.70-13.50	090064	\$ 1,568.60	54.00	12.70-13.50	090068	\$ 1,871.67	57.00	12.70-13.50
14"	090061	\$ 1,369.77	47.00	15.07-15.82	090065	\$ 1,773.09	58.00	15.07-15.82	090069	\$ 2,119.96	63.00	15.07-15.82
16"	090062	\$ 1,524.79	50.00	17.15-17.90	090066	\$ 1,976.28	62.00	17.15-17.90	090070	\$ 2,432.17	66.00	17.15-17.90

Contact factory for any sizes not listed.

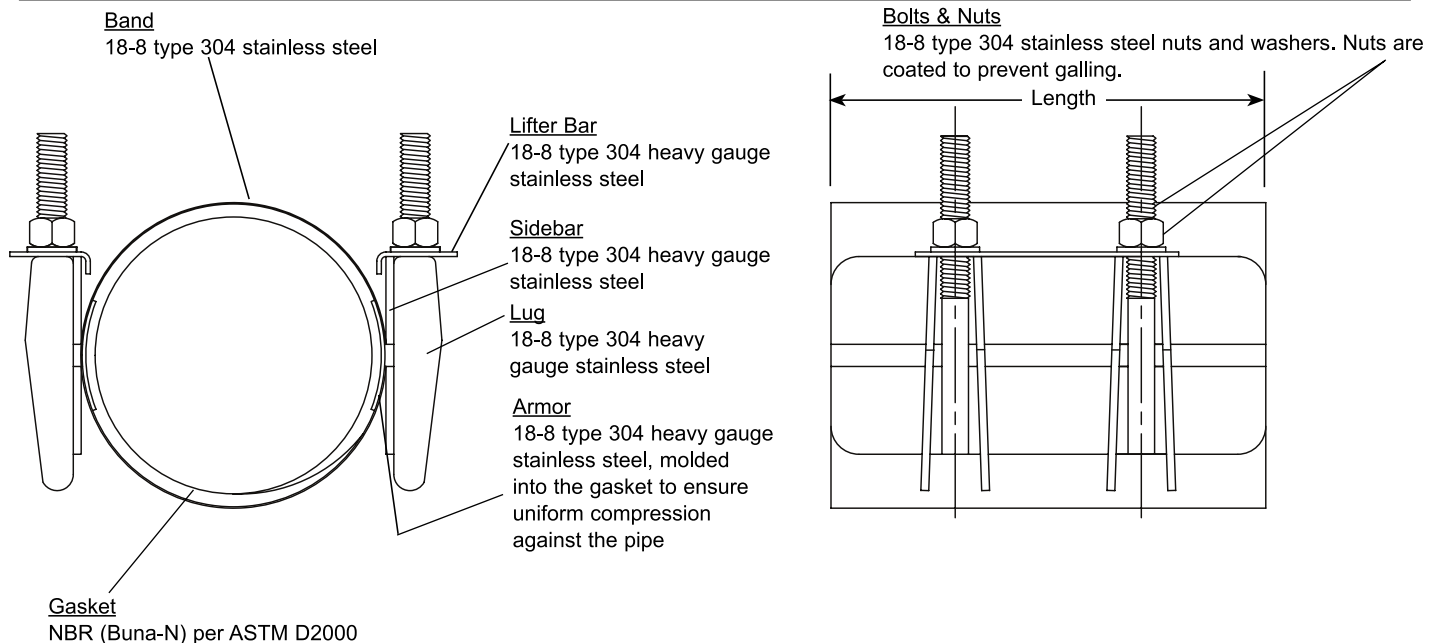
Model BC-DB all Stainless Steel Double Band Clamp design allows for quick one-man installation. Excellent design for applications on corrosive materials or on buried water mains where corrosive soil is present. Bolts fit into lugs without removing nuts.

Hardware Torque Specifications for Band Clamps

- 3/8" Bolts 1/2" to 1 1/2" OD 15-25 FT-LBS
- 1/2" Bolts up to 2.00"-4.73" OD 30-35 FT-LBS
- 5/8" Bolts over 4.74" OD 70-80 FT-LBS

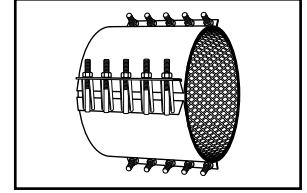
REPAIR CLAMPS (BCDB)

4" - 16" TWO SECTION WIDER RANGE ALL STAINLESS STEEL REPAIR CLAMPS



**BAND CLAMP****MODEL BCTB****All Stainless Steel Triple Band**

- 18-8 type 304 stainless steel band
- 18-8 type 304 stainless steel nuts & bolts
- Gasket material is Buna-N rubber
- Side bars and lifter bar 188 stainless steel
- Temperature Rating: 250°F



12 1/2" WIDE - 12 bolts / *16 bolts					15" WIDE - 12 bolts / *16 bolts				20" WIDE - 18 bolts / *24 bolts			
Size	Part #	Suggested List Price	Approx. Wt. (lbs)	O.D. Range	Part #	Suggested List Price	Approx. Wt. (lbs)	O.D. Range	Part #	Suggested List Price	Approx. Wt. (lbs)	O.D. Range
16"	090150	\$1,184.35	31.00	15.92-17.12	090154	\$1,404.91	40.00	15.92-17.12	090155	\$1,902.27	52.00	15.92-17.12
18"	090151	\$1,250.86	35.00	18.00-19.20	090101	\$1,514.99	44.00	18.00-19.20	090156	\$2,051.32	56.00	18.00-19.20
20"	090152	\$1,384.01	41.00	21.60-22.80	090090	\$1,568.13	48.00	21.60-22.80	090157	\$2,123.43	60.00	21.60-22.80
24"	090096	\$1,743.48	46.00	25.80-27.00	090102	\$2,504.55	53.00	25.80-27.00	090158	\$3,392.19	65.00	25.80-27.00
30"	090153	\$2,288.62	51.00	31.70-32.90	090104	\$2,782.68	70.00	31.70-32.90	090083	\$3,838.48	90.00	31.70-32.90
36"	090165*	\$3,965.90	57.00	37.80-38.30	090166*	\$5,092.37	72.00	37.80-38.30	090167*	\$5,562.86	92.00	37.80-38.30

24" WIDE - 21 bolts / *28 bolts					30" WIDE - 27 bolts / *36 bolts			
Size	Part #	Suggested List Price	Approx. Wt. (lbs)	O.D. Range	Part #	Suggested List Price	Approx. Wt. (lbs)	O.D. Range
16"	090159	\$2,404.77	64.00	15.92-17.12	090161	\$3,361.12	77.00	15.92-17.12
18"	090010	\$2,625.76	68.00	18.00-19.20	090162	\$3,435.16	84.00	18.00-19.20
20"	090160	\$2,939.07	73.00	21.60-22.80	090163	\$3,849.75	89.00	21.60-22.80
24"	090103	\$4,341.91	79.00	25.80-27.00	090164	\$5,723.18	102.00	25.80-27.00
30"	090126	\$4,955.19	115.00	31.70-32.90	090105	\$6,256.78	165.00	31.70-32.90
36"	090168*	\$6,735.44	125.00	37.80-38.30	090169*	\$7,433.40	170.00	37.80-38.30

Contact factory for any sizes not listed.



BAND CLAMP (continued)

MODEL BCTB

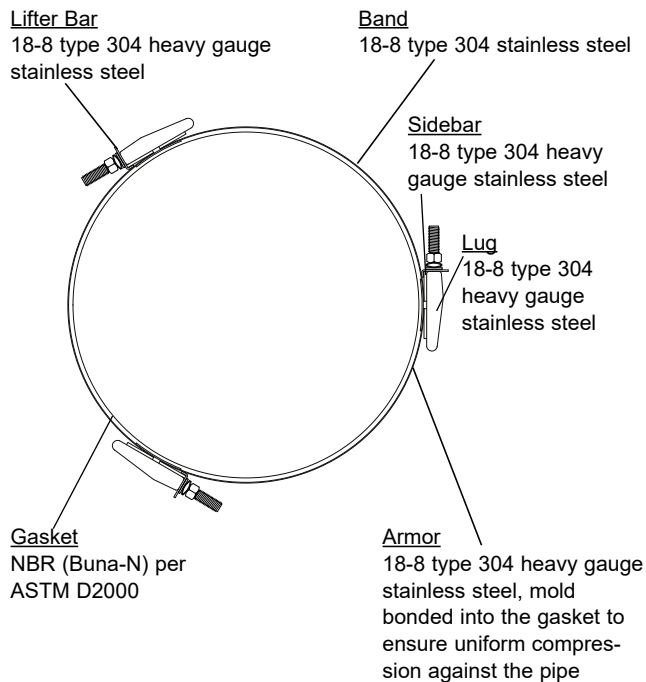
All Stainless Steel Triple Band

Model BC-TB all Stainless Steel Triple Band Clamp design allows for quick one-man installation. Excellent design for applications on corrosive materials or on buried water mains where corrosive soil is present. Bolts fit into lugs without removing nuts.

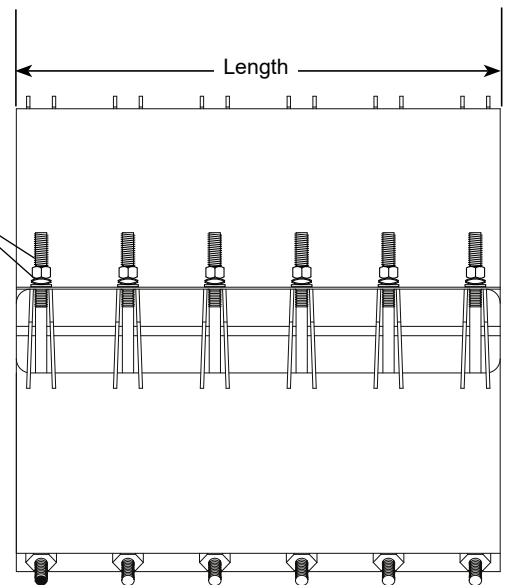
Hardware Torque Specifications for Band Clamps

3/8" Bolts 1/2" to 1 1/2" OD	15-25 FT-LBS
1/2" Bolts up to 2.00"-4.73" OD	30-35 FT-LBS
5/8" Bolts over 4.74" OD	70-80 FT-LBS

THREE SECTION ALL STAINLESS STEEL REPAIR CLAMPS



Bolts & Nuts
18-8 type 304 stainless steel nuts and washers. Nuts are coated to prevent galling.



FEATURES

- NBR (Buna-N) gasket
- All welds are fully passivated to restore corrosion resistant characteristics of stainless steel



Pressed Steel Clamp

Repairs Badly Pitted and Corroded Pipe Lines



Model "PS" Wide



Model "PS" Narrow

The Pressed Steel Clamp is used for repairing badly pitted and corroded pipe lines at minimum cost.

This is not a thin spring-steel band with attached lugs. It is a 3/16 thick, heavy steel plate with inseparable wedge-shaped lugs pressed out of the material itself. This special construction prevents any give or collapse of the lug so that the full amount of take-up pressure applied by the bolts is transmitted directly to the gasket over the leak. While the clamp is heavy enough to outlast the pipe, it is still sufficiently flexible to conform to the pipe surface.

The Pressed Steel Clamp is available in two widths:
Narrow: 4" wide for pit holes, complete with Cone Plug Gasket fastened in place.

Wide: 8" wide for running corrosion spots, complete with a crescent-shaped, pressure-equalizing gasket of Skinner Special Composition for use on oil or gas lines.

Large 5/8" diameter steel bolts, plated and Iridite-dipped, are furnished with all clamps.

NOTE: Narrow type in sizes 3" OD through 12" comes with CP2NE (080865) cone plug. Narrow type in sizes 14" OD through 24" comes with CP2NF (080866) cone plug. Narrow type in sizes 30" & 36" comes with CP3NF (082030) cone plug. Wide type in sizes 3" through 6" comes with strip gasket #080857. Wide type in sizes 8" and up come with strip gasket #087002. 5/8" x 5" bolts and nuts are standard on above clamps.

Strip gaskets are Buna-N compound. Cone plugs are Buna N but are also available as spares in either Buna-N (Black) or Natural Rubber (Red). Temperature Rating 250°F

Price Schedule

NARROW STYLE				WIDE STYLE		
Size (inches)	Part Number	Sugg. List Price	Approx. Weight (lbs.)	Part Number	Sugg. List Price	Approx. Weight (lbs.)
3	089624	\$ 93.00	3.5	089625	\$ 142.00	7.0
4 OD	089623	\$ 114.00	3.75			
4	089621	\$ 90.00	4	089620	\$ 142.00	8.5
5	089617	\$ 114.00	5	089616	\$ 155.00	10.5
6 OD	089615	\$ 133.00	5			
6	089613	\$ 114.00	5.5	089612	\$ 152.00	11.25
8	089607	\$ 124.00	7	089606	\$ 180.00	14
10	089603	\$ 145.00	8	089602	\$ 196.00	17
12	089600	\$ 158.00	9	089599	\$ 220.00	19
14	089598	\$ 195.00	10	089597	\$ 344.00	20.5
16	089596	\$ 212.00	11.5	089595	\$ 335.00	23
18	089594	\$ 300.00	12.5	089593	\$ 407.00	26
20	089592	\$ 310.00	14	089591	\$ 413.00	28.5
24	089589	\$ 333.00	17.5	089588	\$ 448.00	33.5
30	089583	\$ 491.00	24	089582	\$ 593.00	42
36	089581	\$ 578.00	32	089580	\$ 595.00	50



...continued from previous page.

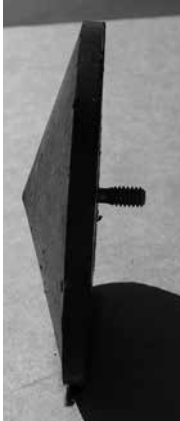
Pressed Steel Clamp Components

- Body** C-1008 HR Pickled
- Gasket** Buna N Material NBR ASTM D 2000
Durometer 50 +/- 5
-40 Degrees F-250 Degrees F Temperature Range
- Hardware** SAE Grade 5, Zinc Plated C-1541 Steel
- E Coating** JDM F11T3 18 Mill Thickness



Narrow			Wide	
Size	Torque	Working Pressure	Torque	Working Pressure
3"	60 ft/lbs	1000 psi	60 ft/lbs	500 psi
4"	60 ft/lbs	1000 psi	60 ft/lbs	500 psi
5"	60 ft/lbs	1000 psi	60 ft/lbs	500 psi
6"	60 ft/lbs	1000 psi	60 ft/lbs	500 psi
8"	60 ft/lbs	1000 psi	60 ft/lbs	400 psi
10"	60 ft/lbs	1000 psi	60 ft/lbs	400 psi
12"	60 ft/lbs	1000 psi	60 ft/lbs	300 psi
14"	60 ft/lbs	1000 psi	60 ft/lbs	300 psi
16"	60 ft/lbs	800 psi	60 ft/lbs	300 psi
18"	60 ft/lbs	800 psi	60 ft/lbs	200 psi
20"	60 ft/lbs	800 psi	60 ft/lbs	200 psi
24"	60 ft/lbs	800 psi	60 ft/lbs	200 psi
30"	60 ft/lbs	800 psi	60 ft/lbs	200 psi
36"	60 ft/lbs	800 psi	60 ft/lbs	200 psi

Note: Viton gaskets available for the pressed steel wide clamps upon request for high temperature applications.



Cone Plug w/Fastener

Cone Plug - Black (Buna-N)
Max Temp 250°FCone Plug - Red (Natural Rubber)
Max Temp 250°F

Extra Cone Plugs for Narrow Style Clamps

continued on next page...

Sizes			Natural Rubber (Red)								
Thickness at Base			1/8			1/4			1/2		
Cone Plug	Diameter (inches)		Code	Part Number	Sugg. List Price	Code	Part Number	Sugg. List Price	Code	Part Number	Sugg. List Price
#1	1 9/16	w/o Fastener	CP1A	082007	\$ 5.00	CP1B	082013	\$ 7.00	CP1C	082024	\$ 7.50
		w/ Fastener									
#2	2 5/16	w/o Fastener	CP2A	082009	\$ 5.00	CP2B	082015	\$ 7.00	CP2C	082026	\$ 7.50
		w/ Fastener									
#3	3 1/2	w/o Fastener	CP3A	082011	\$ 11.00	CP3B	082017	\$ 11.00	CP3C	082028	\$ 15.00
		w/ Fastener									
			Buna-N (Black)								
#1	1 9/16	w/o Fastener	CP1NA	082006	\$ 5.00	CP1NB	082012	\$ 7.00	CP1NC	082023	\$ 7.50
		w/ Fastener									
#2	2 5/16	w/o Fastener	CP2NA	082008	\$ 5.00	CP2NB	082014	\$ 7.00	CP2NC	082025	\$ 7.50
		w/ Fastener									
#3	3 1/2	w/o Fastener	CP3NA	082010	\$ 11.00	CP3NB	082016	\$ 11.00	CP3NC	082027	\$ 15.00
		w/ Fastener									

* Standard for all 3"-12"

** Standard for all 14"-24"

*** Standard for all 30" & 36"

For high temperature applications, Viton gaskets and cone plugs are available.



Spare Gaskets

Gasket Part No.	Where Used	Clamp Size	Sugg. List Price
080082	Emergency Clamp	1/2", 3/4" & 1"	\$ 5.50
080083	Emergency Clamp	1 1/4" & 11/2"	\$ 5.50
080085	Emergency Clamp	2" & 2 1/2"	\$ 6.00
080087	Emergency Clamp	3"	\$ 8.50
080088	Emergency Clamp	3-1/2"	\$ 8.50
087000	Emergency Clamp	4"	\$ 21.00
087001	Emergency Clamp	5"	\$ 34.00
087002	Emergency Clamp	6"	\$ 34.00
087003	Emergency Clamp	8"	\$ 39.00
087004	Emergency Clamp	10" & 12"	\$ 47.00
080195	Pipe Joint Clamp	1/2"	\$ 21.50
080195	Pipe Joint Clamp	3/4"	\$ 21.50
080195	Pipe Joint Clamp	1"	\$ 21.50
080195	Pipe Joint Clamp	1 1/4"	\$ 21.50
080195	Pipe Joint Clamp	1 1/2"	\$ 21.50
080195	Pipe Joint Clamp	2"	\$ 21.50
080195	Pipe Joint Clamp	2 1/2"	\$ 21.50
080197	Pipe Joint Clamp	3"	\$ 23.00
080197	Pipe Joint Clamp	4"	\$ 23.00
080197	Pipe Joint Clamp	6"	\$ 23.00
080105	Pipe Line Clamp	3/4"	\$ 17.00
080107	Pipe Line Clamp	1 1/4" thru 2"	\$ 16.50
080106	Pipe Line Clamp	3"	\$ 22.00
080108	Pipe Line Clamp	4"	\$ 22.00
087005	Pipe Line Clamp	6"	\$ 30.00
080857	Pressed Steel Wide	3" thru 6"	\$ 21.50
087002	Pressed Steel Wide	8" thru 36"	\$ 34.00

High temperature viton gaskets available for:

- Emergency Models
- Pipeline Models
- Pressed Steel Models

Temperature range to 450 degree F

Request quote from factory for pricing

Carriage Type Bolts with Ash Hex Nuts



Price Schedule

Diameter (inches)	Length	Where Used	Bolt Part Number	Sugg. List Price	Nut Part Number	Sugg. List Price
5/16	2	Emergency Clamp: 1/2" & 3/4" Pipeline Clamp: 3/4"	080098	\$ 2.00	080097	\$ 1.35
3/8	2 1/2	Emergency Clamp: 1", 1 1/4" & 1 1/2" PipeLine Clamp: 1 1/4" & 1 1/2"	080100	\$ 2.00	080099	\$ 2.35
7/16	2 3/4	Emergency Clamp: 2" PipeLine Clamp: 2" Saddle Tees: All Sizes	080102	\$ 3.00	080101	\$ 2.50
1/2	3 1/2	Emergency Clamp: 2 1/2", 3" & 3 1/2" PipeLine Clamp: 3" & 4"	080103	\$ 3.70	080036	\$ 1.35
1/2	4	Emergency Clamp: 4", 5" & 6"	080104	\$ 6.00	080036	\$ 1.35
5/8	5	Emergency Clamp: 8", 10" & 12" PipeLine Clamp: 6" Pressed Steel Clamp: All	080864	\$ 9.00	080309	\$ 1.50



Skinner PVC Coupling Leak Clamps

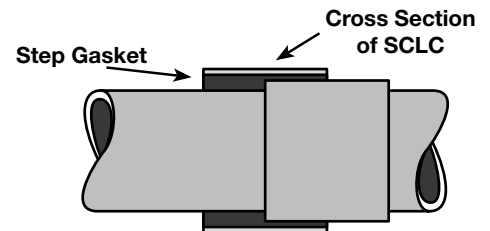
Model SCLC - For PVC Pipe Joined with Schedule 40 Solvent Weld Couplings

Leaking solvent weld joints on PVC pipe can be repaired by shutting down the water main and splicing in a new piece of pipe. This is time consuming, expensive, and requires making additional joints in your water system. Eliminate these problems by using the Skinner Coupling Leak Clamp to repair leaking solvent welds on PVC pipe.

The Skinner Model SCLC Clamp features 2 bolts and a step gasket with a butt sealing design that stops the leak between the coupling and the PVC pipe.

Specifications:

Band: 5 inch wide 18-8 Type 304 stainless steel
Lugs: Ductile Iron per ASTM A536
Gasket: Buna-N Rubber
Max Temp.: 250°F
Bolts and Heavy Hex Nuts: High strength, low alloy per ASTM A242



SKINNER PART #	NOM. PIPE SIZE	PIPE O.D.	LENGTH	APPROX. WT. LBS.	SUGGESTED LIST PRICE
091000	2"	2.38	5"	4	\$ 111.78
091001	2-1/2"	2.88	5"	5	\$ 117.38
091002	3"	3.50	5"	5	\$ 128.95
091003	3-1/2"	4.00	5"	8	\$ 139.72
091004	4"	4.50	5"	9	\$ 143.35
091005	5"	5.56	5"	10	\$ 153.22
091006	6"	6.63	5"	11	\$ 183.59
091007	8"	8.63	5"	12	\$ 205.23

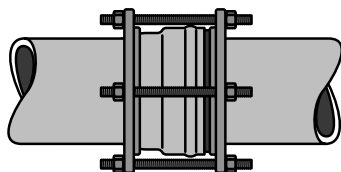
Skinner Bell Joint Leak Clamps



Skinner Model BJLC For Standard Steel Size PVC, Iron Pipe

Skinner Bell Joint Leak Clamps provide an easy and economical way of repairing leaking bell joints on PVC or iron pipe without recaulking or cutting out the joint.

Skinner Bell Joint Leak Clamps are easy to install. The clamp for cast iron pipe features an adjustable Buna-N gasket, field adaptable to fit either the older style pit cast or ductile iron pipe. This versatile gasket contains a removable "keyed" insert that eliminates cutting or gluing to fit the ductile iron pipe.



Specifications:

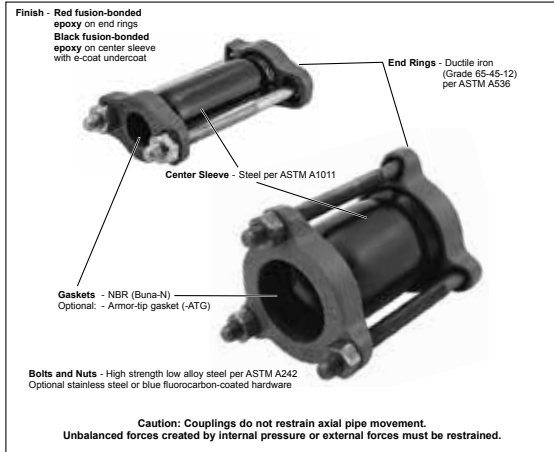
Body: Ductile Iron ASTM A536
Gasket: Buna-N rubber per ASTM D2000
Bolts and Nuts: Low alloy ASTM A242 and AWWA C111
Max Temp.: 250°F

Skinner Bell Joint Leak Clamps for Ductile Iron, Cast Iron Pipe (Buna-N Gasket)

PART NUMBER	NOM. PIPE SIZE	O.D. RANGE	APPROX. WT. LBS.	NO. OF BOLTS	SUGGESTED LIST PRICE
092000	4"	4.80-5.00	16	4	\$ 321.77
092001	6"	6.90-7.10	19	4	\$ 354.34
092002	8"	9.05-9.30	21	4	\$ 490.16
092003	10"	11.10-11.40	27	6	\$ 614.25
092004	12"	13.20-13.50	31	6	\$ 666.58



**New Product Line: Skinner Steel Coupling



1/2" to 12" Steel Couplings with Steel or Ductile Iron End Rings

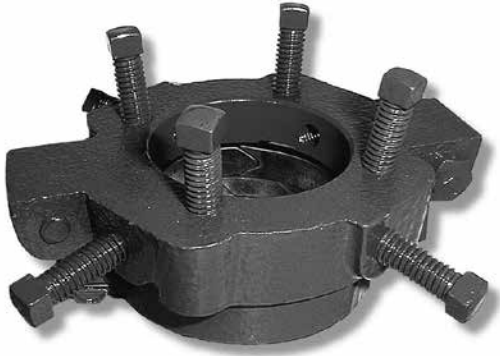
NOM. PIPE SIZE	PIPE O.D. (IN.)	SLEEVE LENGTH	PART NUMBER	NUMBER OF BOLTS	BOLT DIA. & LENGTH	APPROX. WT. LBS.	✓ SUGGESTED LIST PRICE
1/2"	0.84	5"	094100	2	1/2"x7"	2	\$69.61
		7"	094101	2	1/2"x9"	2	\$80.68
3/4"	1.05	5"	094102	2	1/2"x7"	2	\$76.05
		7"	094103	2	1/2"x9"	3	\$80.23
1"	1.32	12"	094104	2	1/2"x14"	3	\$140.53
		5"	094105	2	1/2"x7"	3	\$82.83
1-1/4"	1.66	7"	094106	2	1/2"x9"	3	\$101.06
		12"	094107	2	1/2"x14"	4	\$139.38
1-1/2"	1.90	5"	094108	2	1/2"x7"	4	\$83.31
		7"	094109	2	1/2"x9"	4	\$107.49
2"	2.38	12"	094110	2	1/2"x14"	5	\$157.07
		5"	094111	2	1/2"x7"	4	\$96.62
2-1/2"	2.88	7"	094112	2	1/2"x9"	5	\$107.49
		12"	094113	2	1/2"x14"	7	\$167.19
3"	3.50	5"	094114	2	5/8"x8"	7	\$125.47
		7"	094115	3	5/8"x8"	10	\$132.89
4"	4.50	12"	094116	2	5/8"x10-1/2"	10	\$142.65
		7"	094117	3	5/8"x10-1/2"	12	\$154.19
4"	4.80	12"	094118	2	5/8"x15"	13	\$195.34
		12"	094119	3	5/8"x15"	14	\$207.16
6"	6.63	5"	094120	3	5/8"x8"	10	\$170.93
		7"	094121	3	5/8"x10-1/2"	11	\$189.95
6"	6.90	12"	094122	3	5/8"x15"	14	\$266.60
		24"	094123	3	5/8"x27-3/8"	24	\$342.17
8"	8.63	5"	094124	4	5/8"x8"	16	\$187.06
		7"	094125	4	5/8"x10-1/2"	17	\$204.53
10"	10.75"	12"	094126	4	5/8"x15"	26	\$283.56
		24"	094127	3	5/8"x27-3/8"	35	\$429.41
12"	12.75"	5"	094128	4	5/8"x8"	16	\$218.67
		7"	094129	4	5/8"x10-1/2"	17	\$237.18
12"	12.75"	12"	094130	4	5/8"x15"	27	\$355.61
		16"	094131	4	5/8"x20"	31	\$470.02
12"	12.75"	24"	094132	4	5/8"x27-3/8"	38	\$661.86
		5"	094143	4	5/8"x9"	16	\$260.26
12"	12.75"	7"	094144	4	5/8"x11"	17	\$260.26
		12"	094145	4	5/8"x15"	27	\$449.13
12"	12.75"	5"	094133	6	5/8"x8"	25	\$326.29
		7"	094134	6	5/8"x10-1/2"	31	\$363.95
12"	12.75"	12"	094135	6	5/8"x15"	50	\$580.59
		16"	094136	6	5/8"x20"	65	\$698.03
12"	12.75"	24"	094137	6	5/8"x27-3/8"	38	\$888.84
		5"	094146	6	5/8"x9"	25	\$454.42
12"	12.75"	16"	094147	6	5/8"x19"	50	\$895.72
		5"	094138	6	5/8"x8"	34	\$454.96
12"	12.75"	7"	094139	6	5/8"x10-1/2"	41	\$499.34
		12"	094140	6	5/8"x15"	51	\$659.96
12"	12.75"	16"	094141	6	5/8"x20"	63	\$823.03
		24"	094142	6	5/8"x27-3/8"	78	\$1,296.34
12"	12.75"	7"	094148	8	5/8"x11"	49	\$649.79
		5"	094149	8	5/8"x9"	47	\$673.34
12"	12.75"	16"	094150	8	5/8"x19"	88	\$1,216.08

"-H" indicates Three Bolt Style

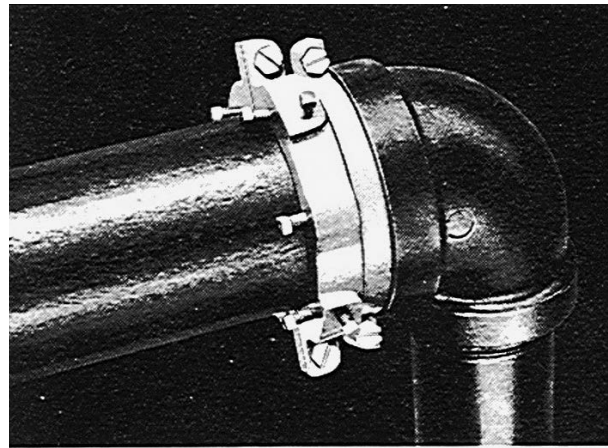
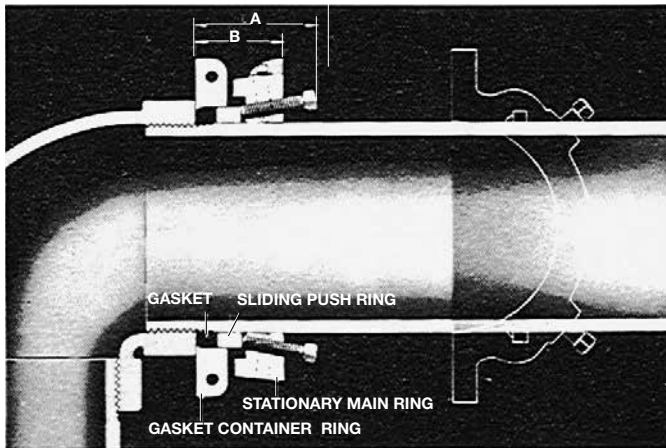


Pipe Joint Clamp

Stops Leaks at Joints, Where Pipe and Fitting Join



Quickly installed under pressure, the SkinnerSEAL Pipe Joint Clamp will withstand high pressures without interruption of service. It saves the cost of tearing out and replacing leaky fittings. It is a positive repair not hindered by vibration or expansion. For over 80 years, the Pipe Joint Clamp has been in use on piping for gas, oil, gasoline, water, ammonia and brine leaks. The sliding push ring in the clamp transmits the pressure of the thrust screws to the gasket. The gasket, which is completely confined and guided by the lip on the face of the container ring, is forced directly into the threads, stopping the leak at its source. Gasket material is Neoprene.



Specifications

Size Pipe, IPS (inches)	1/2	3/4	1	1 1/4	1 1/2	2	2 1/2	3	4	6
Dimension A (inches)	2	2	2	2 1/4	2 1/4	2 1/4	2 1/4	2 1/2	2 1/2	2 1/2
Dimension B (inches)	1 1/4	1 1/4	1 3/8	1 3/8	1 3/8	1 3/8	1 3/8	1 3/8	1 3/4	1 3/4
Diameter, Overall (inches)	3 1/2	3 1/2	3 1/2	4 3/4	4 7/8	5 3/8	5 7/8	6 5/8	7 1/2	9 3/4

Pipe Joint Clamp Components

- Body** Ductile Iron Castings ASTM 395-80 536-94
- Gasket** Neoprene Material Grade K2242 ASTM D2000 / SAE J200
Durometer 45 +/- 5 Tensile 1200 Elongation 300%
-40 Degrees F-250 Degrees F Temperature Range
- Hardware** SAE Grade 5, Zinc Plated C-1541 Steel
- E Coating** JDM F11T3 18 Mill Thickness



Price Schedule

PIPE JOINT CLAMPS			
Size (inches)	Part Number	Sugg. List Price	Approx. Weight (lbs.)
1/2	089865	\$ 143.00	1
3/4	089864	\$ 143.00	1.12
1	089863	\$ 143.00	1.25
1 1/4	089862	\$ 155.00	2
1 1/2	089861	\$ 165.00	2.25
2	089860	\$ 170.00	2.5
2 1/2	089859	\$ 228.00	2.75
3	089858	\$ 255.00	4.25
4	089856	\$ 313.00	5.25
6	089854	\$ 510.00	7.75

Max Temp 300°F



Size (inches)	Working Pressure	Size (inches)	Working Pressure
1/2 - 2	1500 psi	4	750 psi
2 1/2 - 3	1000 psi	6	400 psi



Service Saddle

For Making Gas, Oil, & Water Service Connections

Model "SS"



- For gas, oil, & water connections
- Ductile iron construction, massive bolt
- Easily accessible nut
- Uniform bearing around pipe eliminates "crushing" pipe
- Gasket recessed - cannot blow out under high pressure

The Skinner-SEAL Service Saddle is made of ductile iron with plated steel bolt and nut. Skinner's Specially Compounded Buna-N gasket is placed in a recess to prevent blowing out under high pressure.

Price Schedule

Single Hinge Style

Pipe Size (inches)	Outlet Size	Part Number	Sugg. List Price	Approx. Weight (lbs.)	Pipe Size (inches)	Outlet Size	Part Number	Sugg. List Price	Approx. Weight (lbs.)	
1 1/4	x	1/4	089814	\$ 82.00	2	2 1/2	x	3/4	089785	\$ 120.00
		3/8	089813	\$ 82.00				1	089783	\$ 120.00
		1/2	089812	\$ 82.00				1 1/4	089782	\$ 120.00
		3/4	089811	\$ 82.00				1 1/2	089781	\$ 120.00
		1	089809	\$ 82.00						
1 1/2	x	3/8	089807	\$ 92.00	3	x	3/4	089773	\$ 159.00	7.8
		1/2	089806	\$ 92.00			1	089771	\$ 159.00	7.8
		3/4	089805	\$ 92.00			1 1/4	089770	\$ 159.00	7.8
		1	089803	\$ 92.00			1 1/2	089769	\$ 159.00	7.6
2	x	1/2	089801	\$ 106.00	3 Cl	x	3/4	089767	\$ 144.00	6.25
		3/4	089799	\$ 106.00			1	089765	\$ 144.00	6.25
		1	089797	\$ 106.00			1 1/4	089763	\$ 144.00	6.25
		1 1/4	089795	\$ 106.00			1 1/2	089762	\$ 144.00	7
		1 1/2	089794	\$ 106.00			2	089760	\$ 144.00	7
2 Cl	x	1/2	089793	\$ 117.00	4	x	3/4	089756	\$ 165.00	7
		3/4	089792	\$ 117.00			1	089754	\$ 165.00	7
		1	089790	\$ 117.00			1 1/4	089753	\$ 165.00	7
		1 1/4	089788	\$ 117.00			1 1/2	089752	\$ 177.00	7
		1 1/2	089787	\$ 117.00			2	089751	\$ 177.00	7
4 Cl	x				4 Cl	x	3/4	089749	\$ 165.00	8
							1	089748	\$ 165.00	8
							1 1/4	089746	\$ 165.00	8
							1 1/2	089745	\$ 165.00	8
							2	089744	\$ 165.00	8

Note: To add a "grounding lug" to the Service Saddle, just add a "G" to the end of the part number and increase the Sugg. List Price by \$5.00.



Single Hinge Style

Pipe Size (inches)	Outlet Size	Part Number	Sugg. List Price	Approx. Weight (lbs.)	Pipe Size (inches)	Outlet Size	Part Number	Sugg. List Price	Approx. Weight (lbs.)
6	x 3/4	089735	\$ 267.00	13.5	10	x 3/4	089694	\$ 695.00	25.5
	1	089733	\$ 267.00	13.5		1	089693	\$ 695.00	25.5
	1 1/4	089731	\$ 267.00	14.25		1 1/4	089692	\$ 695.00	28.5
	1 1/2	089729	\$ 267.00	13		1 1/2	088023	\$ 695.00	28.5
	2	089728	\$ 267.00	13		2	089691	\$ 695.00	28.5
6 CI	3/4	089725	\$ 340.00	15.5	10 CI	x 3/4	089830	\$ 685.00	25.5
	1	089721	\$ 340.00	15.5		1	089690	\$ 695.00	25.5
	1 1/4	089718	\$ 340.00	15.5		1 1/4	089689	\$ 695.00	31.5
	1 1/2	089716	\$ 340.00	15.5		1 1/2	088024	\$ 695.00	31.5
	2	089714	\$ 340.00	15.5		2	089686	\$ 695.00	31.5
8	x 3/4	089710	\$ 455.00	23.25	12	x 3/4	089682	\$ 745.00	29
	1	089709	\$ 455.00	23.25		1	089681	\$ 745.00	29
	1 1/4	089708	\$ 455.00	23.25		1 1/4	089837	\$ 745.00	29
	1 1/2	089707	\$ 455.00	31.5		1 1/2	088025	\$ 745.00	29
	2	089706	\$ 455.00	31.5		2	089679	\$ 745.00	29
8 CI	x 3/4	089705	\$ 518.00	24.5	12 CI	x 3/4	089833	\$ 745.00	29
	1	089703	\$ 518.00	24.5		1	089676	\$ 745.00	29
	1 1/4	089701	\$ 518.00	24.5		1 1/4	089675	\$ 745.00	29
	1 1/2	089700	\$ 518.00	24		1 1/2	089674	\$ 745.00	29
	2	089698	\$ 518.00	24		2	089673	\$ 745.00	29

Service Saddle Clamp Components

Body Ductile Iron Castings ASTM 395-80 536-94

Gasket Buna N Material ASTM D2000 / SAE J200
Durometer 50 +/- 5

Hardware SAE Grade 5, Zinc Plated C-1541 Steel

E Coating JDM F11T3 18 Mill Thickness

Size (inches)	Torque	Working Pressure	Size (inches)	Torque	Working Pressure
1 1/4	50 ft.lbs.	500 psi	6 x 3/4 to 6 x 1 1/4	60 ft.lbs.	200 psi
1 1/2	50 ft.lbs.	500 psi	6 x 1 1/2 & 6 x 2	60 ft.lbs.	200 psi
2 x 1/2 to 2 x 1 1/4	60 ft.lbs.	500 psi	8 x 3/4 to 8 x 1 1/4	150 ft.lbs.	200 psi
2 x 1 1/2	60 ft.lbs.	200 psi	8 x 1 1/2 & 8 x 2	150 ft.lbs.	250 psi
2 1/2	60 ft.lbs.	200 psi	10 x 3/4 to 10 x 2	150 ft.lbs.	250 psi
3 x 3/4 & 3 x 1	60 ft.lbs.	200 psi	12 x 3/4 to 12 x 2	150 ft.lbs.	200 psi
3 x 1 1/4 & 3 x 2	60 ft.lbs.	250 psi			
4 x 3/4 to 4 x 1 1/4	60 ft.lbs.	300 psi			
4 x 1 1/2 & 4 x 2	60 ft.lbs.	200 psi			



Saddle Tee

For Making Gas and Water Connections



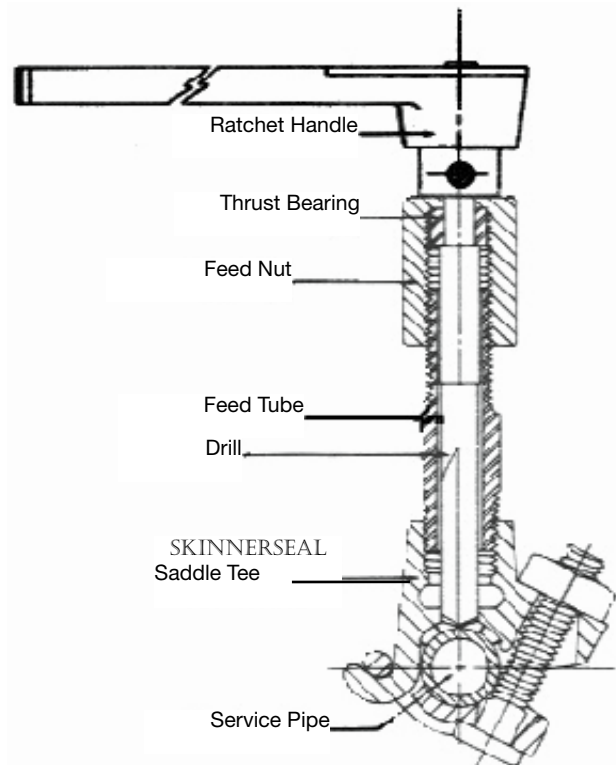
Model "ST"
(With iron pipe thread)

The Skinner Saddle Tee is particularly recommended for installing garden gas lights, gas grills, automatic home laundries and other appliances. It takes the place of a tee, union and nipple in one fixture. No pipe cutting or threading is necessary. The cutting in of ordinary tees is sometimes extremely difficult. With the Skinner-Seal Saddle Tee, the job becomes fast and simple installation costs are substantially reduced.

Use of our Saddle Tee frequently saves installing a long run of pipe or tubing as connections to the pipe can often be made closer to the appliance.

The Saddle Tee is made of ductile iron with a Buna-N gasket.* The single heavy steel bolt is plated. Maximum working pressure is 200 psi.

*Some Saddle Tees assembled before Jan. 1, 2003, may have other gasket material.



*Skinner Ratchet Handle Drilling
Device simplifies installation*

Model "DD" Small Drilling Device

Model Number	No. 1	No. 2A	No. 2
Outlet Size	1/4" NPT	3/8"	1/2"
Drill Size	5/16"	13/32"	13/32"
Drill Part No.	081298	081299	081299

Max Temp 250°F



Price Schedule

Saddle Tee

Pipe Size (inches)	Outlet Size (inches)	Part Number	Sugg. List Price	Approx. Weight (lbs.)
1/2	1/4	089247	\$ 64.00	1
1/2	3/8	089246	\$ 64.00	1
1/2	1/2	089244	\$ 64.00	1
3/4	1/4	089242	\$ 65.00	1.12
3/4	3/8	089241	\$ 65.00	1.12
3/4	1/2	089240	\$ 65.00	1.12
3/4	3/4	089238	\$ 65.00	1.12
1	1/4	089237	\$ 68.00	1.12
1	3/8	089236	\$ 68.00	1.12
1	1/2	089234	\$ 68.00	1.12
1	3/4	089232	\$ 68.00	1.12
1	1	089231	\$ 68.00	1.12

Size	Bolt Torque	Max. Working Pressure
1/2" x 1/4"	60 ft/lb	200 psi
1/2" x 3/8"	60 ft/lb	200 psi
1/2" x 1/2"	60 ft/lb	200 psi
3/4" x 1/4"	60 ft/lb	200 psi
3/4" x 3/8"	60 ft/lb	200 psi
3/4" x 1/2"	60 ft/lb	200 psi

Size	Bolt Torque	Max. Working Pressure
3/4" x 3/4"	60 ft/lb	200 psi
1" x 1/4"	60 ft/lb	200 psi
1" x 3/8"	60 ft/lb	200 psi
1" x 1/2"	60 ft/lb	200 psi
1" x 3/4"	60 ft/lb	200 psi
1" x 1"	60 ft/lb	200 psi

Saddle Tee Clamp Components

- Body** Ductile Iron Castings ASTM 395-80 536-94
- Gasket** Buna N NBR Material ASTM D2000 / SAE J200
Durometer 50 +/- 5
- Hardware** SAE Grade 5, Zinc Plated C-1541 Steel
- E Coating** JDM F11T3 18 Mill Thickness





Drilling Devices

Drilling Holes in Mains Through Various Service Fittings

The Skinner-SEAL Drilling Device is a high grade Ratchet-Handled Machine for drilling a hole in the main through various service fittings.

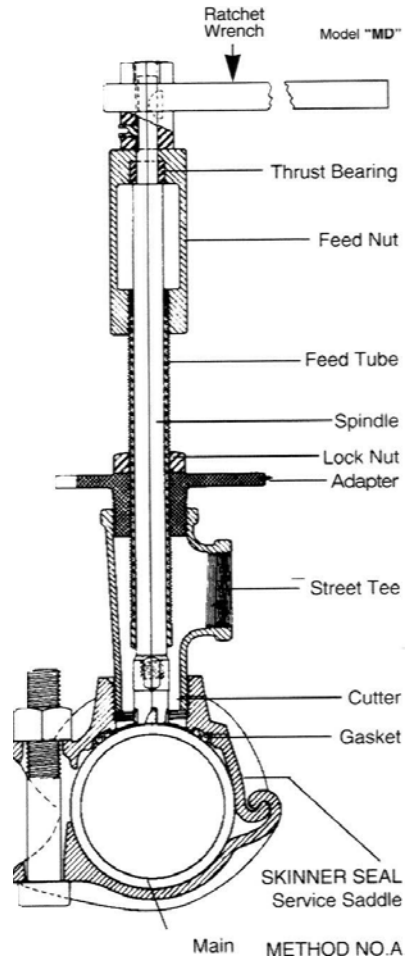
The machine consists of parts as shown in the sketch at the right. Note that the feed tube on this Drilling Device is adjusted so the lower end is just above the cutter when the cutter is resting on a pipe at the start of the drilling operation. This forms a guide which holds the spindle to its position and prevents twisting action on the shell cutters.

Cutters are made of an alloy steel, combining toughness and hardness, and have an unusually long life.

To order Drilling Equipment

First identify your service method in the tables below and on the opposite page. Then, on the first line of the table, select the column headed by the size of the top outlet of whatever fitting is used. In the column under that size, you will find the model number of the drill device and adapter required. Beneath that, you will find various cutters listed from which to select the number or size desired. These three items Drill Device, Adapter and Cutter-make up the drilling equipment you require.

Recommended for non-pressurized installations.



Method "A" Street Tee in Service Saddle

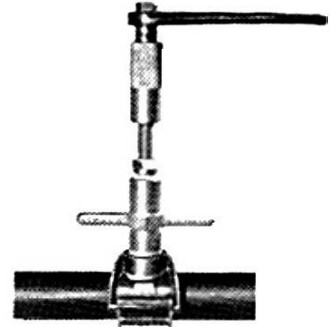


Top Thread of Tee (inches)	3/4		1		1 1/4		1 1/2		2	
Drill Device No.	4		7		7		7		7	
Adapter No.	1		2		3		4		5	
Stock Cutter Numbers and Diameters that can be used under this method.	No.	Dia.(in.)	No.	Dia.(in.)	No.	Dia.(in.)	No.	Dia.(in.)	No.	Dia.(in.)
	1	5/8	22	7/8	7	1	19	1 3/16	21	1 7/8
	2	1/2	11	3/4	22	7/8	7	1	20	1 3/8
	3	3/8	2	1/2	2	1/2	11	3/4	19	1 3/16
	4	1/4	4	1/4	4	1/4	2	1/2	7	1



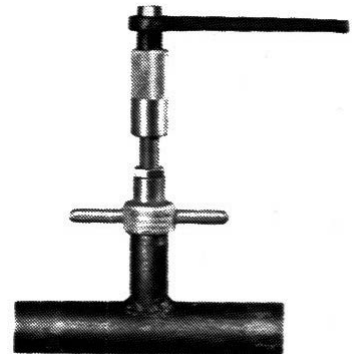
**Method “B”
Service Saddle without Street Tee**

Saddle Outlet (inches)	3/4		1		1 1/4		1 1/2		2	
Drill Device No.	4		7		7		7		7	
Adapter No.	14		15		16		23		24	
Stock Cutter Numbers and Diameters that can be used under this method.	No.	Dia. (in.)	No.	Dia. (in.)	No.	Dia. (in.)	No.	Dia. (in.)	No.	Dia. (in.)
	11	3/4	7	1	19	1 3/16	20	1 3/8	21	1 7/8
	1	5/8	11	3/4	7	1	19	1 3/16	20	1 3/8
	2	1/2	2	1/2	11	3/4	7	1	19	1 3/16
	4	1/4	4	1/4	2	1/2	11	3/4	7	1



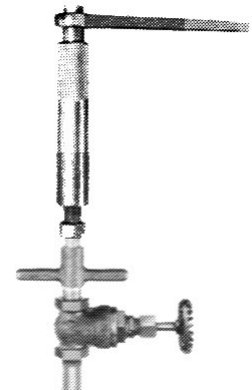
**Method “C”
Tee or Pipe Nipple Welded to Main**

Nipple Size (inches)	3/4		1		1 1/4		1 1/2		2	
Drill Device No.	4		7		7		7		7	
Adapter No.	6		7		8		9		10	
Stock Cutter Numbers and Diameters that can be used under this method.	No.	Dia. (in.)	No.	Dia. (in.)	No.	Dia. (in.)	No.	Dia. (in.)	No.	Dia. (in.)
	11	3/4	7	1	19	1 3/16	20	1 3/8	21	1 7/8
	1	5/8	11	3/4	7	1	7	1	19	1 3/16
	2	1/2	2	1/2	11	3/4	11	3/4	7	1
	4	1/4	4	1/4	2	1/2	2	1/2	11	3/4



**Method “D”
Valve Connected to Main**

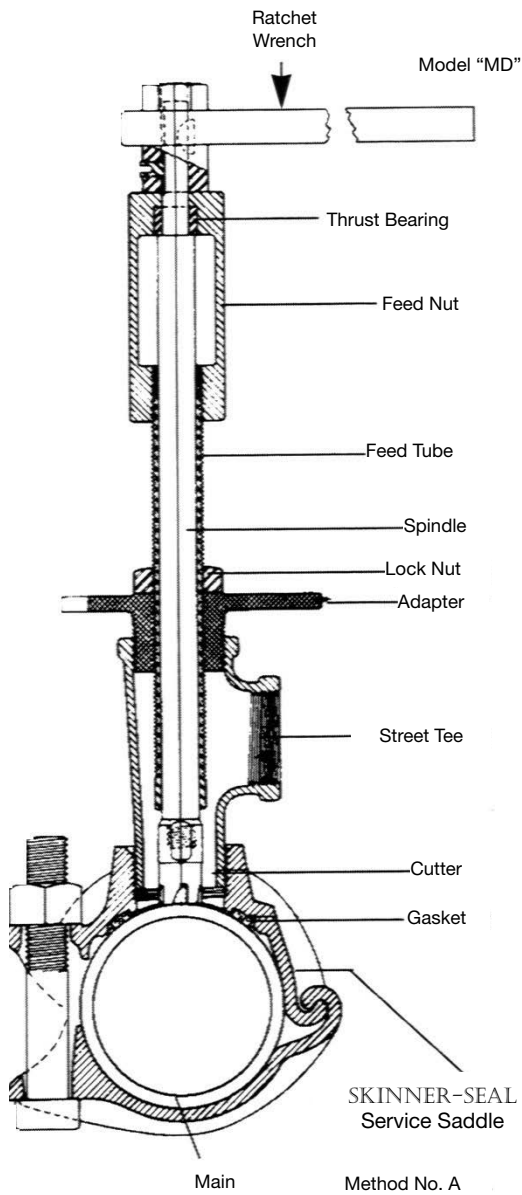
Top Outlet (inches)	1		1 1/4		1 1/2		2	
Drill Device No.	10		10		10		10	
Adapter No.	27		26		25		22	
Stock Cutter Numbers and Diameters that can be used under this method	No.	Dia. (in.)	No.	Dia. (in.)	No.	Dia. (in.)	No.	Dia. (in.)
	7	1	19	1 3/16	20	1 3/8	21	1 7/8
	11	3/4	7	1	19	1 3/16	20	13/8
	2	1/2	11	3/4	7	1	19	1 3/16
	4	1/4	2	1/2	11	3/4	7	1



Cutter Diameter is Limited to the Maximum Full Opening of the Valve



Drilling Devices Parts List



DESCRIPTION	MODEL DD		MODEL MD		
Drill Device Complete	089376 #1	089374 #2A	089373 #4	089371 #7	089370 #10
Ratchet Wrench Only	081380 190.00	081380 190.00	081290 260.00	081290 260.00	081290 260.00
Ratchet Adapter Only	081288 110.00	081288 110.00	081295 126.00	081295 126.00	081295 126.00
Feed Tube	081303 69.00	081305 69.00	081308 76.00	081310 58.00	081309 94.00
Feed Nut	081313 52.00	081313 52.00	081314 58.00	081314 58.00	081315 226.00
Woodruff Key	-	-	081323 3.50	081323 3.50	081323 3.50
Thrust Bearing	081320 27.00	081320 27.00	081321 20.00	081321 20.00	081321 20.00
Spindle	-	-	081381 76.00	081381 76.00	081381 76.00
Allen Wrench	-	-	081319 3.50	081319 3.50	081319 3.50
Allen Set Screw	-	-	081326 3.50	081326 3.50	081326 3.50
Lock Nut	-	-	-	081324 3.50	-
Drill	081298 109.00	081299 108.00	-	-	-
OPTIONAL PARTS					
Spindle Extension	-	-	2" 081335 90.00	2" 081335 90.00	2" 081335 90.00
				8" 081332	
					124.00



Drilling Devices

Drilling Device Model No.	Skinner Part No.	Use with Tee Outlet	With Ratchet?	Suggested List Price	Shipping Wt. (Lbs)
1	089376	1/4"	Yes	\$ 539.00	4
2A	089374	3/8"	Yes	\$ 520.00	4
2	089375	1/2"	Yes	\$ 539.00	4
4	089373	3/4"	Yes	\$ 670.00	4.80
4	088503	3/4"	No	\$ 485.00	2.75
7	089371	1" - 2"	Yes	\$ 670.00	4.90
7	088486	1" - 2"	No	\$ 485.00	2.80
10	089370	1" - 2"	Yes	\$ 860.00	5.50
10	088500	1" - 2"	No	\$ 575.00	3.80

**Tapping Compound for use with Shell Type Cutters is Skinner P/N# 082033
\$35.00 per 14 oz. can.**

Cutters

Cutter No.	Type	Diameter	P/N No.	List Price
1	Drill	5/8"	089367	\$ 182.00
2	Drill	1/2"	089366	\$ 191.00
3	Drill	3/8"	089365	\$ 177.00
4	Drill	1/4"	089364	\$ 212.00
7	Shell	1"	089363	\$ 203.00
11	Shell	3/4"	089362	\$ 232.00
19	Shell	1 3/16"	089360	\$ 232.00
20	Shell	1 3/8"	089359	\$ 197.00
21	Shell	1 7/8"	089358	\$ 278.00
22	Shell	7/8"	089357	\$ 232.00
23	Shell	1 1/4"	089356	\$ 239.00
26	Shell	1 1/2"	089355	\$ 209.00

Adapters

Adapt No.	Use With	Desc	P/N No.	List Price
1	DD #4	3/4M x 1/2F	089354	\$ 264.00
6	DD #4	3/4F x 1/2F	089349	\$ 264.00
14	DD #4	3/4M x 1/2F	089342	\$ 264.00
22	DD #4	2M x 1/2F	089338	\$ 264.00
25	DD #4	1 1/2M x 1/2F	089335	\$ 264.00
26	DD #4	1 1/4M x 1/2F	089334	\$ 160.00
27	DD #4	1M x 1/2F	089333	\$ 264.00
2	DD #7 & #10	1M x 7/8F	089353	\$ 255.00
3	DD #7 & #10	1 1/4M x 7/8F	089352	\$ 264.00
4	DD #7 & #10	1 1/2M x 7/8F	089351	\$ 150.00
5	DD #7 & #10	2M x 7/8F	089350	\$ 264.00
7	DD #7 & #10	1F x 7/8F	089348	\$ 235.00
8	DD #7 & #10	1 1/4F x 7/8F	089347	\$ 265.00
9	DD #7 & #10	1 1/2F x 7/8F	089346	\$ 264.00
10	DD #7 & #10	2F x 7/8F	089345	\$ 351.00
15	DD #7 & #10	1M x 7/8F	089341	\$ 260.00
16	DD #7 & #10	1 1/4M x 7/8F	089340	\$ 250.00
23	DD #7 & #10	1 1/2M x 7/8F	089337	\$ 272.00
24	DD #7 & #10	2M x 7/8F	089336	\$ 285.00



Terms and Conditions of Sale

Subject to change without notice

TERMS OF PAYMENT

All orders are accepted for shipment, F.O.B. shipping point, freight collect, net 30 days.

Price and trade discounts are subject to change without notice.

Material billed at prices in effect on the day order is received.

Orders less than \$ 250 net are subject to a \$ 25.00 handling charge.

\$50.00 expedite fee will be added to all rush orders.

RETURNED MATERIAL

No materials may be returned without first obtaining a Return Material Authorization and shipping instructions. Returned materials are subject to our inspection and a 20% restocking charge. If necessary to recondition the returned item(s), the charges will be at the buyer's expense.

We assume no obligation for materials returned without our permission.

As supported in AWWA C230, repair clamp service performance is installation and application sensitive.

Each installation may involve a particular set of conditions that could provide or prevent suitable results.

CLAIMS

Claims for shortages must be made within 30 days after receipt of shipment.

Warranty

The Skinner Company, Inc. warrants this product against defects in materials and workmanship for a period of one year from the date the product was shipped by Skinner to the original purchaser. During such one-year period, provided that the original purchaser continues to own the product, Skinner will, at its sole option, repair any defects, replace the product, or repay the purchased price.

This warranty will be void if the purchaser fails to observe the procedures for installation, operation or service of the product as set forth in the installation instructions for the product or if the defect is caused by tampering, physical abuse or misuse of the product.

THE SKINNER CO. INC. SPECIFICALLY DISCLAIMS ALL IMPLIED WARRANTIES INCLUDING THOSE OF MERCHANTABILITY OR OF FITNESS FOR A PARTICULAR PURPOSE. UNDER NO CIRCUMSTANCES WILL SKINNER BE LIABLE FOR INCIDENTAL OR CONSEQUENTIAL DAMAGES OF ANY KIND WHATSOEVER.

In the event of a malfunction of the product, consult your Skinner Clamp distributor or the Skinner Company.



Useful Information:

The working pressure specifications listed are based on tests performed using water.
NPT (National Pipe Taper) threads are used on all Service Saddles and Saddle Tees.

NPT Pipe Size, Pipe Outside Diameter (OD) and Threads per Inch:									
Pipe Size	1/8"	1/4"	3/8"	1/2"	3/4"	1"	1 1/4"	1 1/2"	2"
Pipe O.D.	0.405	0.540	0.675	0.840	1.050	1.315	1.660	1.900	2.375
TPI	27	18	18	14	14	11 1/2	11 1/2	11 1/2	11 1/2

Outside Diameter/Inside Diameter and Wall Thickness of Steel Pipe (Sch 40) and Cast Iron Pipe (Class B):						
Pipe Size	O.D. Steel	I.D. Steel	Wall Thickness	O.D. Cast Iron	I.D. Cast Iron	Wall Thickness
1/8"	0.405	0.269	0.068	N/A	N/A	N/A
1/4"	0.540	0.364	0.088	N/A	N/A	N/A
3/8"	0.675	0.493	0.091	N/A	N/A	N/A
1/2"	0.840	0.622	0.109	N/A	N/A	N/A
3/4"	1.050	0.824	0.113	N/A	N/A	N/A
1"	1.315	1.049	0.133	N/A	N/A	N/A
1 1/4"	1.660	1.380	0.140	N/A	N/A	N/A
1 1/2"	1.900	1.610	0.145	N/A	N/A	N/A
2"	2.375	2.067	0.154	N/A	N/A	N/A
3"	3.500	3.068	0.216	3.960	3.120	0.42
4"	4.500	4.026	0.237	4.800	3.900	0.45
5"	5.563	5.047	0.258	N/A	N/A	N/A
6"	6.625	6.065	0.280	6.900	5.940	0.48
8"	8.625	7.981	0.322	9.050	8.030	0.51
10"	10.750	10.020	0.365	11.100	9.960	0.57
12"	12.750	11.938	0.406	13.200	11.960	0.62
14"	14.00	13.124	0.438	15.300	13.980	0.66
16"	16.00	15.000	0.500	17.400	16.000	0.70
18"	18.00	16.876	0.562	19.500	18.000	0.75
20"	20.00	18.812	0.594	21.600	20.000	0.80
24"	24.00	22.624	0.688	25.800	24.020	0.89

Skinner Clamps & Tees, Materials of Construction:

Emergency Clamps, Pipeline Clamps, Pipe Joint Clamps, Saddle Tees and Service Saddles are all cast in nodular (ductile) iron and E-coated black.

Band Clamps are type 18-8 304 stainless steel.

Pressed Steel Clamps are stamped from C-1008, 0.187" thick Steel (ASTM A569), hot rolled, pickled and oiled, cleaned and E-coated black.

THE SKINNER



COMPANY

The Skinner Company, Inc.
1519 Evans Pond Road
Greenwood, SC 29649

Distributed by:

Phone: (864) 953-9618
Toll Free: (877) 923-7700
Fax: (864) 953-9724

Email: sales@skinnerco.com
www.skinnerco.com