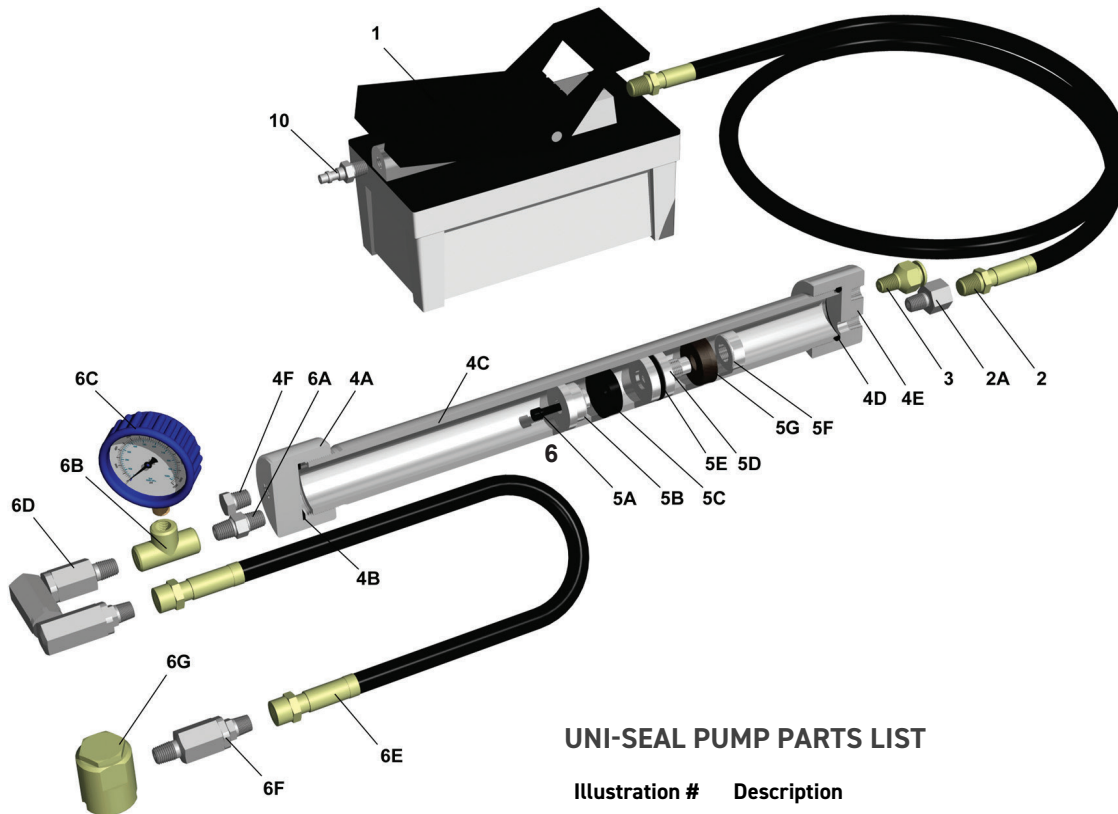


# UNI-SEAL™ PARTS LIST

**Sealweld®**

A CMC MATERIALS COMPANY



## UNI-SEAL PUMP PARTS LIST

| Illustration # | Description                                   | Order Part # | Qty. Req'd |
|----------------|---|--------------|------------|
| 1              | Air/ Hydraulic Motor - OTC Pump               | R-A8-16A2    | 1          |
| 2              | 6' Hydraulic Hose                             | H-HS-72HYD   | 1          |
| 2A             | Adapter - 1/4" M X 3/8" F                     | H-AD-6F4M    | 1          |
| 3              | Sealweld® Sealant Fitting - 1/2" Carbon Steel | F-SW 14-CS   | 1          |
| 4A             | Head Cap                                      | R-UG-1A      | 1          |
| 4B X           | Barrel Gasket                                 | R-A8-19A     | 1          |
| 4C             | Barrel  | R-A8-19B     | 1          |
| 4D X           | Barrel O-Ring - Nitrile                       | R-A8-19C     | 1          |
| 4E             | Bottom End Cap                                | R-UG-04      | 1          |
| 4F             | Plug - 1/4" M NPT                             | H-AD-4M      | 1          |
| 5              | Piston Assembly                               | R-A8-20      | 1          |
| 5A             | Piston Set Screw                              | R-A8-20A     | 1          |
| 5B             | Piston Stop                                   | R-A8-20B     | 1          |
| 5C X           | Nylon Piston Cup                              | R-A8-20C     | 1          |
| 5D             | Piston Body                                   | R-A8-20D     | 1          |
| 5E X           | Piston O-Ring                                 | R-A8-20E     | 1          |
| 5F             | Piston End Nut                                | R-A8-20F     | 1          |
| 5G X           | Inner Leather Cup                             | R-HG-08H     | 1          |
| 6              | Uni-Seal Pump Hose Assembly - Complete        | R-U-HOSE     | 1          |
| 6A             | Adapter - 1/4" M X 1/4" M                     | H-AD-4M4M    | 1          |
| 6B             | High-Pressure Tee - 1/2"                      | H-T-444      | 1          |
| 6C             | 15,000 PSI Gauge with Rubber Guard            | H-GD-01C     | 1          |
| 6D             | Z Swivel - 1/4" x 1/2"-27                     | H-SV-Z1      | 1          |
| 6E             | Extra High-Pressure Hose - 60"                | H-HS-60XHP   | 1          |
| 6F             | Straight Swivel - 1/4" M X 1/2"-27            | H-SV-ST1     | 1          |
| 6G             | Giant Buttonhead Coupler                      | H-CPSG-2     | 1          |
| 10             | Air Nipple                                    | R-A8-15A     | 1          |
| 11             | Hydraulic Fluid                               | R-HOPINT     | 2          |

