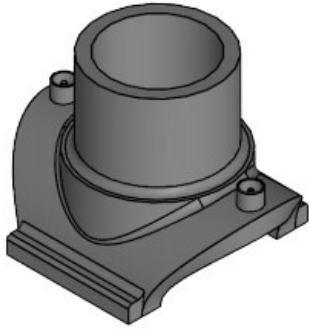


## ELECTROFUSION BRANCH SADDLE: PE2708, 4" IPS x 4" IPS Butt Outlet, DR11, 4.7R Pin Under Clamp

- Pin Type: 4.7R (4.7 Pin with Resistor)
- Approval: ASTM D2513
- Approval: ASTM F1055
- Approval: ASTM D3261
- Approval: CSA B137.4.1

Main Size (inch)	GF Code	weight (lb)	Box Qty
4	360 000 769	2.1	8



The technical data are not binding. They neither constitute expressly warranted characteristics nor guaranteed properties nor a guaranteed durability. They are subject to modification. Our General Terms of Sale apply.

Georg Fischer Piping Systems Ltd, Postfach, CH-8201 Schaffhausen/Switzerland

Phone +41 -(0)52-631 1111

e-mail: [info.ps@georgfischer.com](mailto:info.ps@georgfischer.com)

Internet: <http://www.gfps.com>