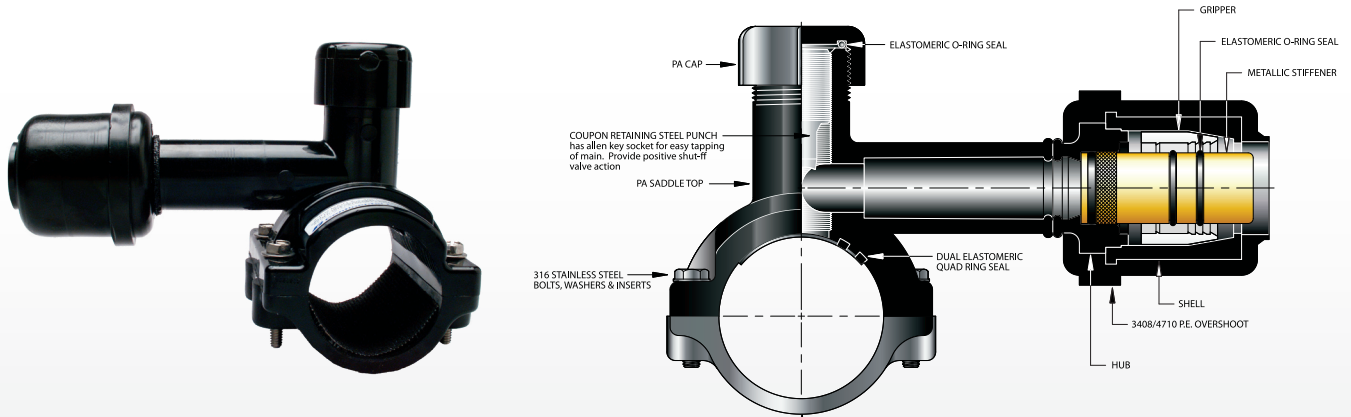




Gas Connectors & Accessories

Continental Industries

ID SEAL® CON-STAB ELIMINATORS



The Continental Industries Con-Stab ID Seal® Eliminators provide the user with the following advantages:

- Cost effective joining method – Eliminates costly heat fusion equipment
- Simple assembly - Eliminates expensive training of personnel
- No additional assembly equipment required to make-up outlet (just chamfer pipe and push)
- Full wrap-around construction supports pipe
- Self-tapping, coupon-retaining, built-in punch provides positive valve action – Two punch sizes available; 1/2” & 13/16” coupon retaining
- Superior chemical resistance characteristics
- Eliminator Pressure Rating: 100psig MAOP
- Meets or exceeds all D.O.T., ASTM and NFPA 58 requirements

Each Con-Stab ID Seal® Eliminator provides the following unique features:

- Two internal seals (Outlet)
- Fixed stiffener (Outlet)
- Self-locking gripper (Outlet)
- Moisture lip (Outlet)
- PA Material (Saddle)
- Extended outlet for EFV (Saddle)
- Keyhole compatible (Saddle)

Continental Industries is an ISO 9001 Certified Company. Continental's Con-Stab Eliminator product line is manufactured and tested to the following industry standards.

- ASTM D 2513 “Standard Specification for Thermoplastic Gas Pressure Pipe, Tubing and Fittings”
- ASME B31.8-1995 “Gas Transmission and Distribution Piping Systems”
- D.O.T., Title 49 of the Code of Federal Regulations, Part 192.283 (b)
- NFPA 58, LP-Gas Code

ECN 2625 REV “C” 08/14

0000-99-1034-00



1-800-558-1373 or FAX 1-800-788-1668 • Visit www.conind.com