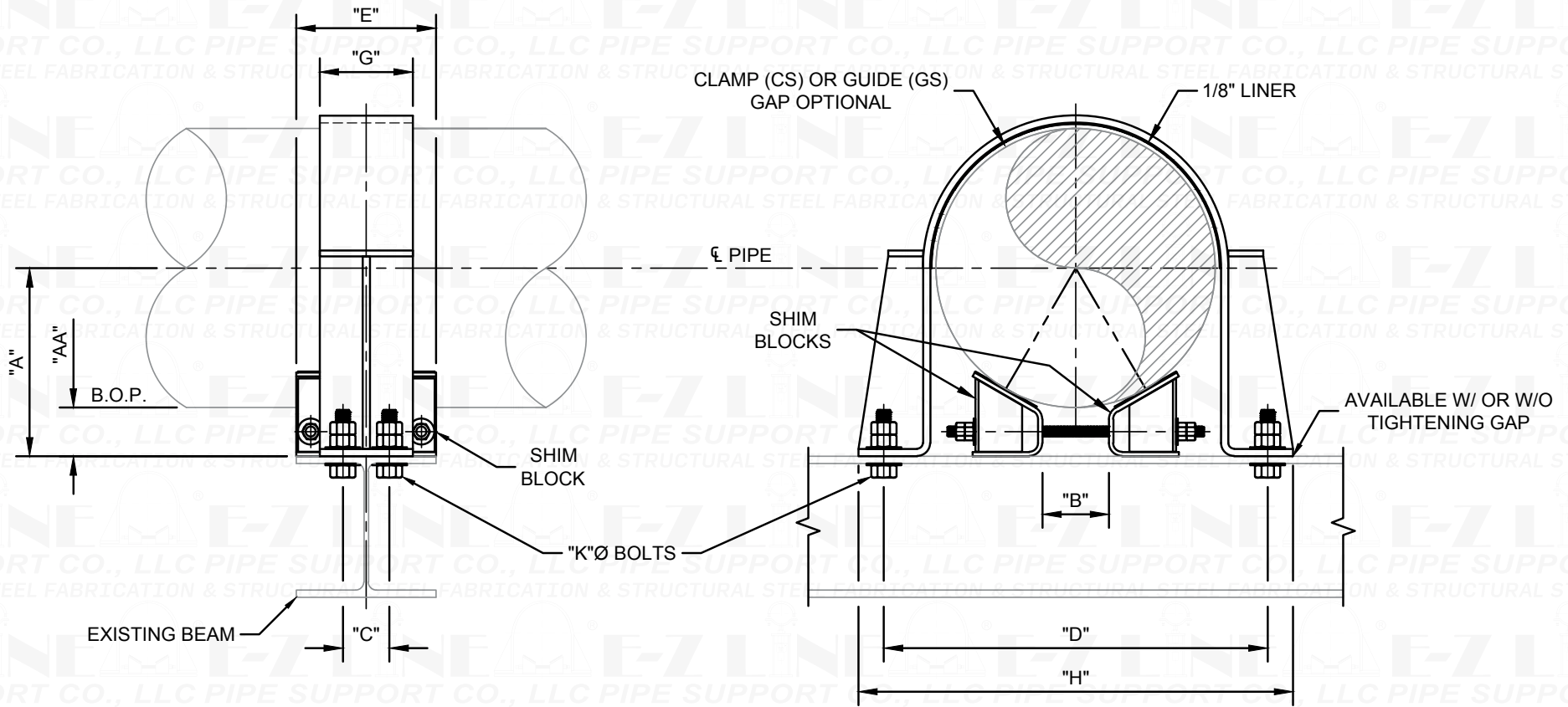


EZLCS/GS-01 W/ 17 KIP LATERAL

17 KIP PIPE CLAMP/GUIDE WITH SHIM BLOCK ASSEMBLY



ELEVATION AT PIPE SUPPORT

SECTION THRU PIPE AT SUPPORT

CSB & GSB - PIPE SIZES 12 THRU 42 - MODIFIED FOR 17 KIP LATERAL LOAD