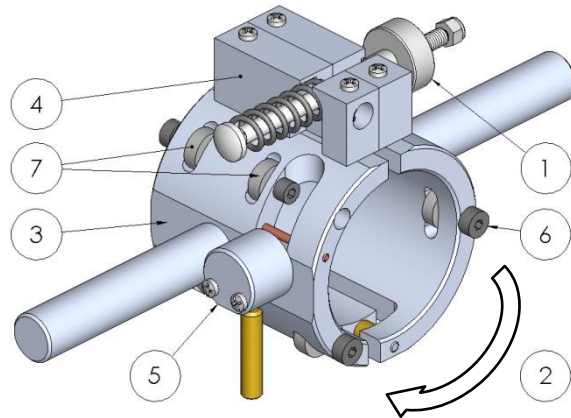


## GENERAL GUIDELINES:

- Follow general workplace safety precautions.
- Always clean the pipe prior to peeling. Make sure there is no dirt or any other debris in the pipe section to be peeled.
- Always keep the Split Peeler in good working order by cleaning it after each use.
- Store the peeler in a proper manner to prevent damage to the blade and mechanisms to ensure a long lifetime.
- Factors such as dirt can reduce the lifetime of the cutting blade and it may have to be replaced sooner.
- Damage to the tool caused by improper handling/care or dirt contamination is not covered under warranty.

## MAIN COMPONENTS:

1. THUMB SCREW
2. DIRECTION OF ROTATION
3. HOUSING
4. CLOSING MECHANISM
5. CUTTING BLADE MECHANISM
6. SHOULDER BOLT
7. ROLLER



**CAUTION!** Be aware that the cutting blade is sharp and can cause injury if handled incorrectly!

**WARNING!** The warnings, cautions, and instructions discussed here cannot cover all possible conditions and situations that may occur. It must be understood by the operator that common sense and caution are factors which cannot be built into this product but must be supplied by the operator.

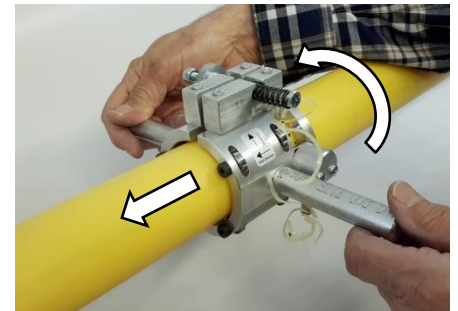
## OPERATING THE TOOL:



1. Open the peeler and place it over the pipe section to be peeled, observing the position of the cutting blade on the pipe. The brass lever can be used to retract the blade to allow precise positioning.



2. Tighten the thumb screw to firmly attach the peeler to the pipe. Only tighten the screw far enough to eliminate any rocking or play of the peeler on the pipe. **DO NOT** overtighten!



3. Turn the peeler in the direction indicated by the label on the housing. The peeler is self-feeding and will move in the direction indicated above.

4. Continue turning the peeler until an adequate length of pipe has been peeled.

5. While turning the peeler, be sure the pipe shavings don't get between the pipe and peeler.

6. Open the peeler by loosening the thumb screw and remove it from the pipe.

7. Before proceeding to electrofusion, inspect the peeled surface to confirm that all oxidation has been removed from that section of the pipe. It is the operator's responsibility to ensure the pipe has been properly cleaned before electrofusion.

**BEFORE EACH USE:**

- Check that the cutting blade can move freely in the cap by depressing the brass lever and watching the blade retract.

**EVERY 50 PEELS (adjust this interval as needed based on your operating conditions):**

- Apply a drop of light oil to the threads of the thumb screw to maintain free movement and prevent corrosion.
- Inspect the cutting edge of the blade for any chips and signs of wear. Replace if necessary.
- Check that all rollers are functional by turning them with your fingers. Any rollers that cannot be moved with light finger pressure should be replaced.
- The rollers are lubricated at the factory and should not require any lubrication during their lifetime

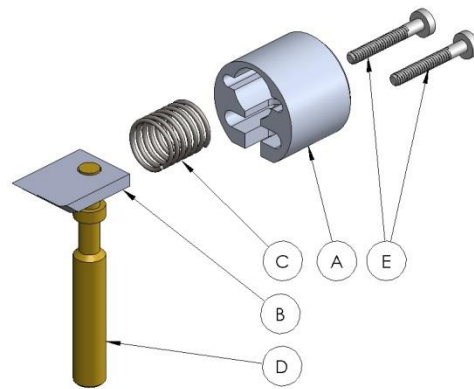
**CHANGING THE CUTTING BLADE:**



**CAUTION!** Be aware that the cutting blade is sharp and can cause injury if handled incorrectly!

**COMPONENTS - CUTTING BLADE MECHANISM:**

- A. CAP
- B. CUTTING BLADE
- C. SPRING
- D. LEVER
- E. SCREWS



1. Begin by removing the two screws (E) to remove the cutting blade mechanism from the Split Peeler. Be aware that the assembly is under some spring pressure. Make a note of how the blade (B) and lever (D) fit into the cap to help during reassembly.

<p>2. Insert the spring (C) into the cap.</p>	<p>3. Insert the lever (D) into the hole in the blade (B) as shown.</p>	<p>4. Slide the lever and blade into the cap and align both with the appropriate slots in the cap as shown.</p>	<p>5. Insert the screws (E).</p>

6. Mount the entire assembly on the split peeler as shown below. On 3" to 8" split peelers, ensure that the brass block guide is adjusted to touch the top of the blade to eliminate excessive play, and that the mounting screws are tight.

<p>Sizes 1-1/4" to 2"</p>	<p>Sizes 3" to 8"</p>
---------------------------	-----------------------