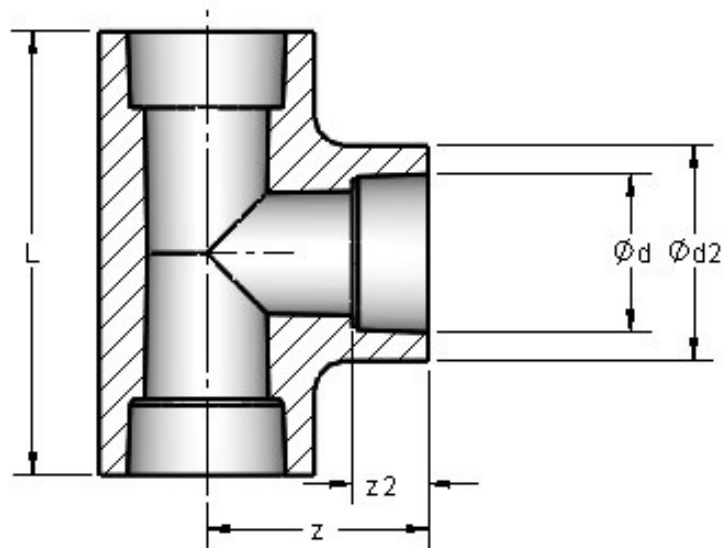


SOCKET FITTINGS TEES: PE2708, CTS x CTS

- Approval: ASTM D2513
- Approval: ASTM D2683
- Approval: IAPMO
- Approval: CSA B137.4 (Indicated with *)

Main Size (inch)	GF Code	weight (lb)	CSA	d (inch)	d2 (inch)	z (inch)	z2 (inch)	L (inch)	Box Qty
0.5 x 0.5	360 002 193	0.1	*	0.59	1.18	1.31	0.64	2.63	100
1 x 1	360 002 201	0.1		1.08	1.50	1.63	0.91	3.26	100



The technical data are not binding. They neither constitute expressly warranted characteristics nor guaranteed properties nor a guaranteed durability. They are subject to modification. Our General Terms of Sale apply.

Georg Fischer Piping Systems Ltd, Postfach, CH-8201 Schaffhausen/Switzerland
 Phone +41 -(0)52-631 1111
 e-mail: info.ps@georgfischer.com
 Internet: <http://www.gfps.com>