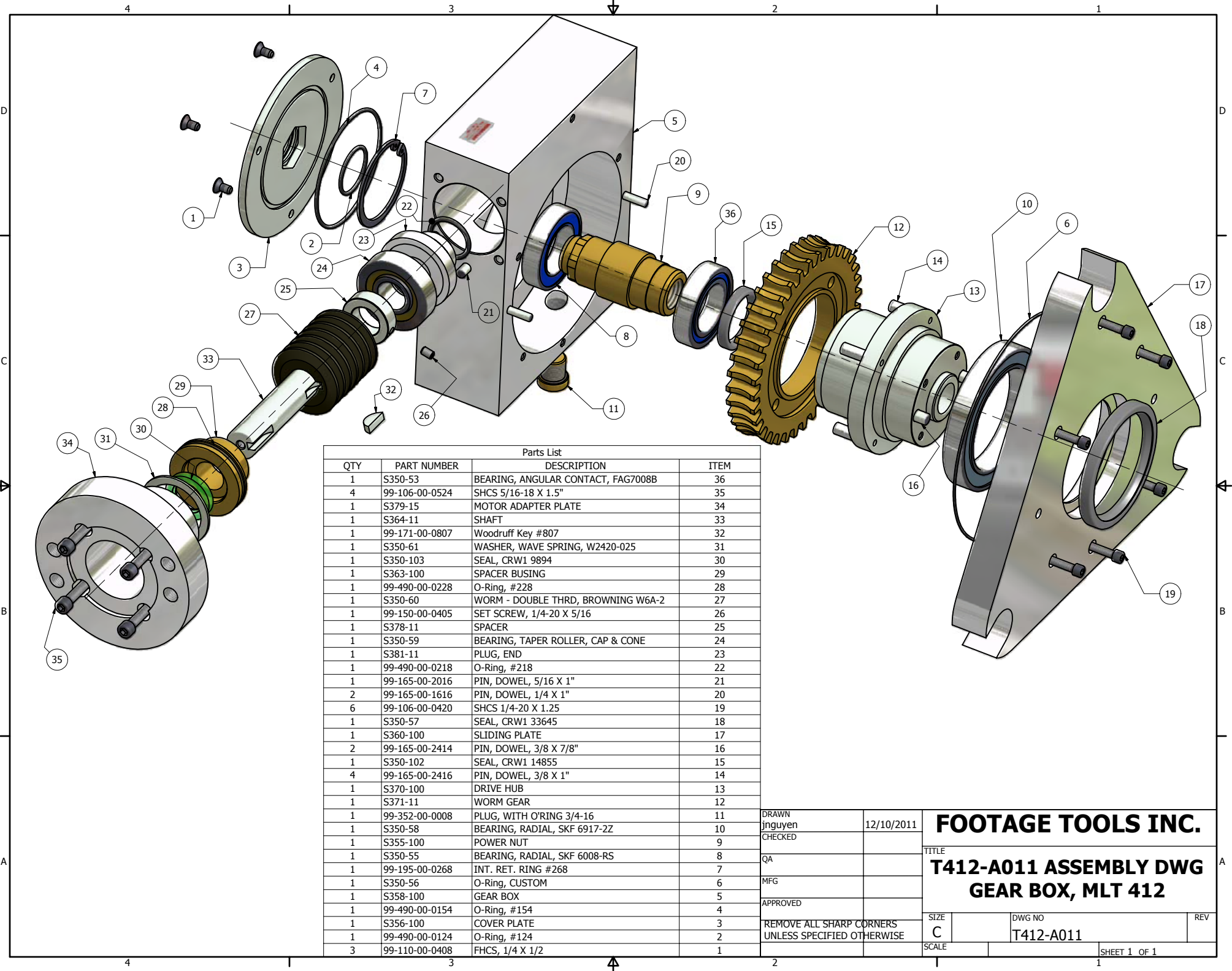


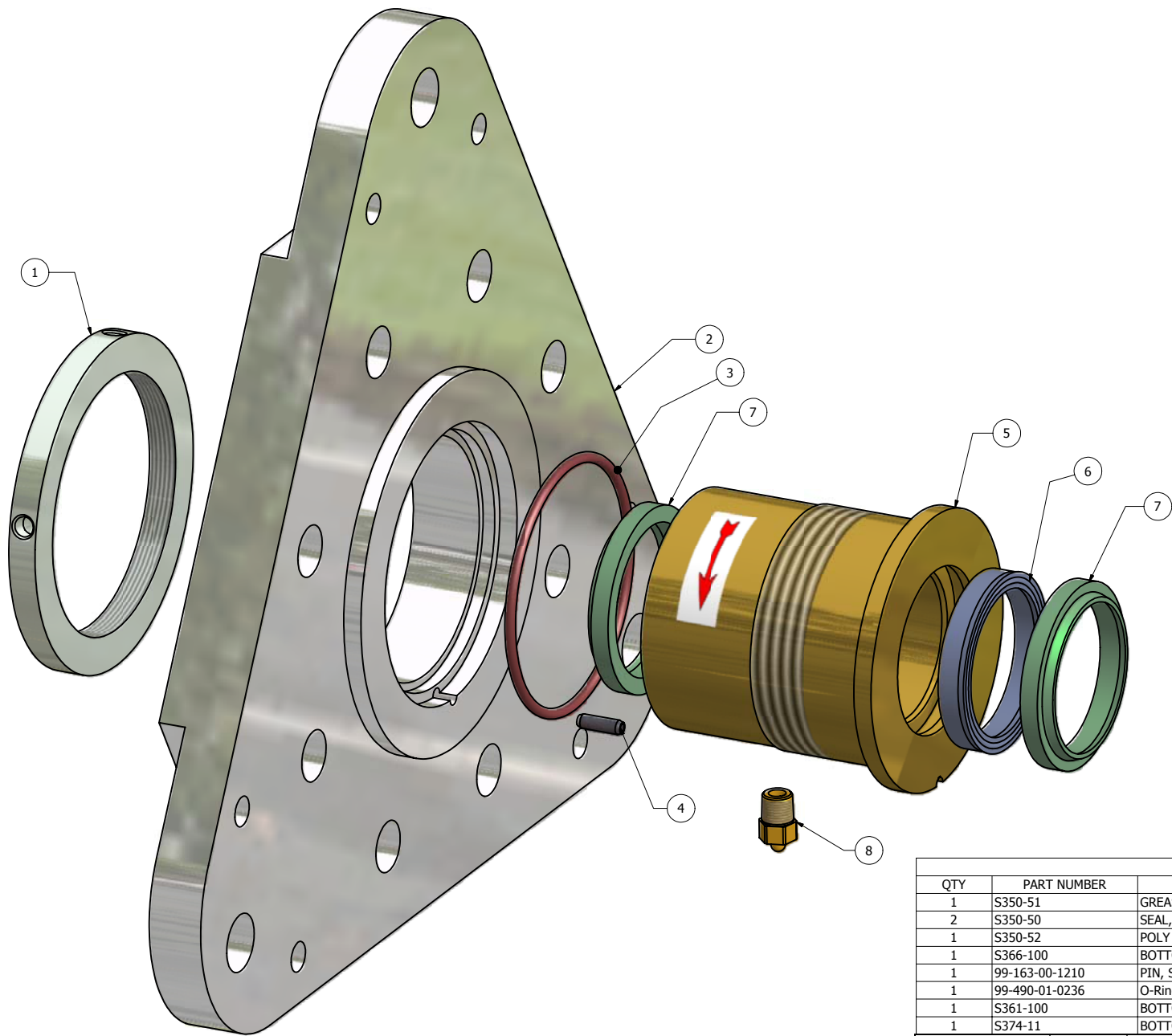
Parts List			
QTY	PART NUMBER	DESCRIPTION	ITEM
1	99-195-00-0268	CLIP, RETAINING RING, #268	8
1	S353-100	FEED NUT	7
2	S350-100	BEARING, DEEP GROOVE BALL, #6008 2RS	6
1	S352-100	SUPPORT BLOCK - TOP PLATE	5
1	S350-101	SEAL, CR#15190	4
1	99-163-00-1210	PIN, SPRING, 3/16 X 5/8	3
1	S351-100	TOP PLATE	2
1	S376-11	TOP RING NUT	1
DRAWN jnguyen		12/9/2011	FOOTAGE TOOLS INC. T412-A010 ASSEMBLY DWG TOP PLATE, MLT 412
CHECKED			
QA			
MFG			
APPROVED			
REMOVE ALL SHARP CORNERS UNLESS SPECIFIED OTHERWISE		SIZE C SCALE	DWG NO T412-A010 REV
			SHEET 1 OF 1



Parts List			
QTY	PART NUMBER	DESCRIPTION	ITEM
1	S350-53	BEARING, ANGULAR CONTACT, FAG7008B	36
4	99-106-00-0524	SHCS 5/16-18 X 1.5"	35
1	S379-15	MOTOR ADAPTER PLATE	34
1	S364-11	SHAFT	33
1	99-171-00-0807	Woodruff Key #807	32
1	S350-61	WASHER, WAVE SPRING, W2420-025	31
1	S350-103	SEAL, CRW1 9894	30
1	S363-100	SPACER BUSING	29
1	99-490-00-0228	O-Ring, #228	28
1	S350-60	WORM - DOUBLE THRD, BROWNING W6A-2	27
1	99-150-00-0405	SET SCREW, 1/4-20 X 5/16	26
1	S378-11	SPACER	25
1	S350-59	BEARING, TAPER ROLLER, CAP & CONE	24
1	S381-11	PLUG, END	23
1	99-490-00-0218	O-Ring, #218	22
1	99-165-00-2016	PIN, DOWEL, 5/16 X 1"	21
2	99-165-00-1616	PIN, DOWEL, 1/4 X 1"	20
6	99-106-00-0420	SHCS 1/4-20 X 1.25	19
1	S350-57	SEAL, CRW1 33645	18
1	S360-100	SLIDING PLATE	17
2	99-165-00-2414	PIN, DOWEL, 3/8 X 7/8"	16
1	S350-102	SEAL, CRW1 14855	15
4	99-165-00-2416	PIN, DOWEL, 3/8 X 1"	14
1	S370-100	DRIVE HUB	13
1	S371-11	WORM GEAR	12
1	99-352-00-0008	PLUG, WITH O-RING 3/4-16	11
1	S350-58	BEARING, RADIAL, SKF 6917-2Z	10
1	S355-100	POWER NUT	9
1	S350-55	BEARING, RADIAL, SKF 6008-RS	8
1	99-195-00-0268	INT. RET. RING #268	7
1	S350-56	O-Ring, CUSTOM	6
1	S358-100	GEAR BOX	5
1	99-490-00-0154	O-Ring, #154	4
1	S356-100	COVER PLATE	3
1	99-490-00-0124	O-Ring, #124	2
3	99-110-00-0408	FHCS, 1/4 X 1/2	1

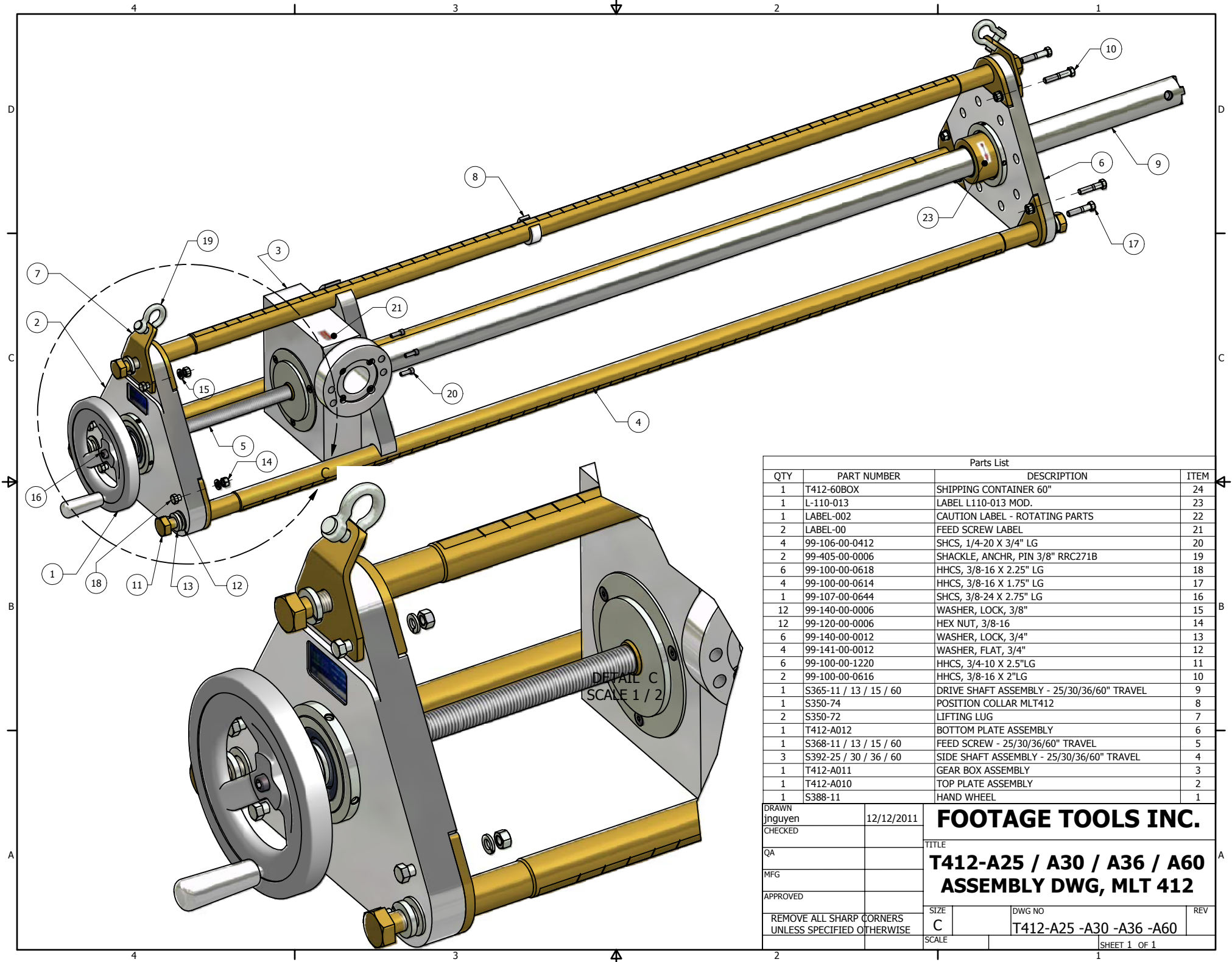
DRAWN	12/10/2011
nguyen	
CHECKED	
QA	
MFG	
APPROVED	
REMOVE ALL SHARP CORNERS UNLESS SPECIFIED OTHERWISE	

FOOTAGE TOOLS INC.		
T412-A011 ASSEMBLY DWG		
GEAR BOX, MLT 412		
SIZE	DWG NO	REV
C	T412-A011	
SCALE	SHEET 1 OF 1	



Parts List			
QTY	PART NUMBER	DESCRIPTION	ITEM
1	S350-51	GREASE NIPPLE	8
2	S350-50	SEAL, WIPER, D00200-4207- EPDM	7
1	S350-52	POLY PAK 1870200-375B-4207 EPDM	6
1	S366-100	BOTTOM BEARING	5
1	99-163-00-1210	PIN, SPRING, 3/16 X 5/8	4
1	99-490-01-0236	O-Ring, #0236, VITON	3
1	S361-100	BOTTOM PLATE	2
1	S374-11	BOTTOM RING NUT	1

DRAWN jnguyen		12/10/2011		FOOTAGE TOOLS INC.	
CHECKED					
QA				TITLE	
MFG				T412-A012 ASSEMBLY DWG	
APPROVED				BOTTOM PLATE, MLT 412	
REMOVE ALL SHARP CORNERS UNLESS SPECIFIED OTHERWISE		SIZE C	DWG NO T412-A012	REV	
SCALE				SHEET 1 OF 1	



Parts List			
QTY	PART NUMBER	DESCRIPTION	ITEM
1	T412-60BOX	SHIPPING CONTAINER 60"	24
1	L-110-013	LABEL L110-013 MOD.	23
1	LABEL-002	CAUTION LABEL - ROTATING PARTS	22
2	LABEL-00	FEED SCREW LABEL	21
4	99-106-00-0412	SHCS, 1/4-20 X 3/4" LG	20
2	99-405-00-0006	SHACKLE, ANCHR, PIN 3/8" RRC271B	19
6	99-100-00-0618	HHCS, 3/8-16 X 2.25" LG	18
4	99-100-00-0614	HHCS, 3/8-16 X 1.75" LG	17
1	99-107-00-0644	SHCS, 3/8-24 X 2.75" LG	16
12	99-140-00-0006	WASHER, LOCK, 3/8"	15
12	99-120-00-0006	HEX NUT, 3/8-16	14
6	99-140-00-0012	WASHER, LOCK, 3/4"	13
4	99-141-00-0012	WASHER, FLAT, 3/4"	12
6	99-100-00-1220	HHCS, 3/4-10 X 2.5" LG	11
2	99-100-00-0616	HHCS, 3/8-16 X 2" LG	10
1	S365-11 / 13 / 15 / 60	DRIVE SHAFT ASSEMBLY - 25/30/36/60" TRAVEL	9
1	S350-74	POSITION COLLAR MLT412	8
2	S350-72	LIFTING LUG	7
1	T412-A012	BOTTOM PLATE ASSEMBLY	6
1	S368-11 / 13 / 15 / 60	FEED SCREW - 25/30/36/60" TRAVEL	5
3	S392-25 / 30 / 36 / 60	SIDE SHAFT ASSEMBLY - 25/30/36/60" TRAVEL	4
1	T412-A011	GEAR BOX ASSEMBLY	3
1	T412-A010	TOP PLATE ASSEMBLY	2
1	S388-11	HAND WHEEL	1

DRAWN	nguyen	12/12/2011
CHECKED		
QA		
MFG		
APPROVED		
REMOVE ALL SHARP CORNERS UNLESS SPECIFIED OTHERWISE		

FOOTAGE TOOLS INC.

TITLE
T412-A25 / A30 / A36 / A60 ASSEMBLY DWG, MLT 412

SIZE	DWG NO	REV
C	T412-A25 -A30 -A36 -A60	
SCALE	SHEET 1 OF 1	