

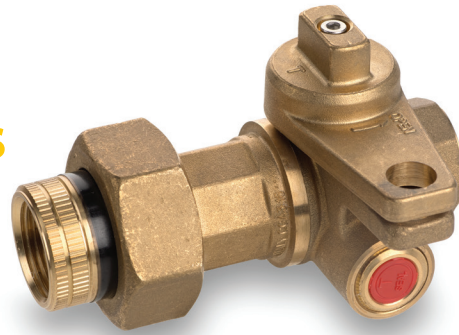


# s.80 NPT surepass

3/4" - 1"

175 PSI

bypassing gas meter valve



One quick turn switches valve from normal metered flow to bypass mode for rapid on-line servicing of meter or regulator.



## Quality

- No metal-to-metal moving parts
- No maintenance or lubrication ever required
- Every valve production tested twice for internal or external leakage
- Meets all applicable parts to DoT 192
- Customer service never interrupted
- Chrome plated brass ball
- Gas theft discouraged by plastic security plug in bypass port and port inaccessible when barrel lock in use

## Body

- Rust-proof forged brass body, ball, stem and locking

## Stem

- Maintenance-free, double FPM O-rings at the stem for maximum safety, eliminate gas emissions

## Sealing

- Pure PTFE seats with flexible-lip design

## Threads

- NPT taper ANSI B1.20.1 female by dielectric union female threads

## Flow

- Full port to DIN 3357 for maximum flow
- Full 100 SCFH gas flow during bypassing

## Handle

- Tamper proof locking
- Single lever operation for positive switch from metering to bypassing



Tamper proof seal

## Working pressure & temperature

- 175 PSI non-shock cold working pressure
- -40°F/ +350°F
- **WARNING:** freezing of the fluid in the installation may severely damage the valve

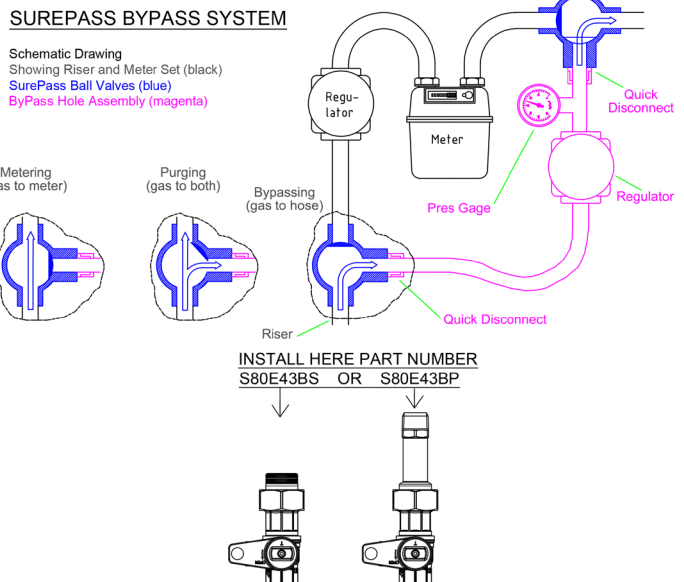
## Options

- Painted gray
- By-pass hose assembly
- Dielectric union end long or short pattern

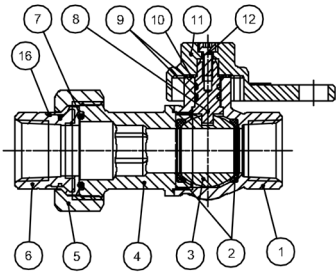
## Approved by or in compliance with

- Canadian standards Association (United States, Canada)
- GOST-R (Russia)
- RoHS Compliant (EU)

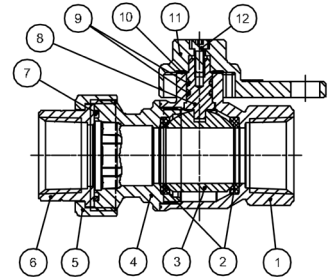
**NOTE:** approvals apply to specific configurations/sizes only.



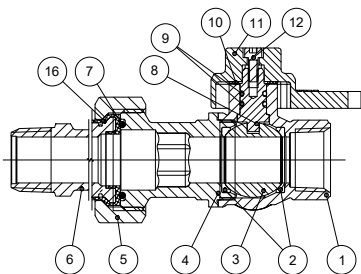
S80E43BS



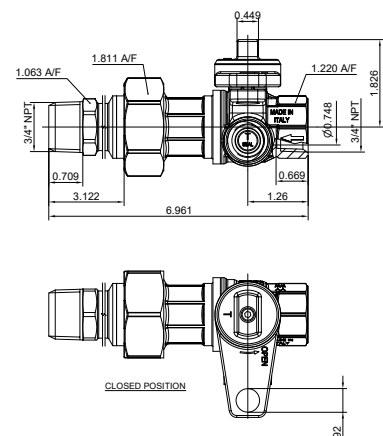
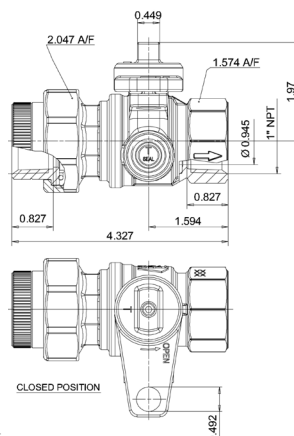
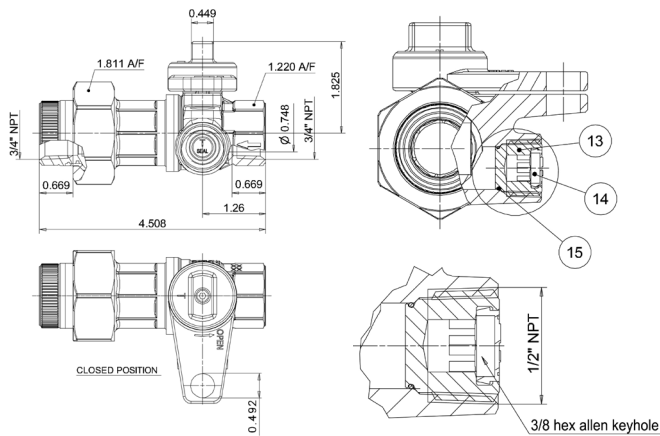
S80F43BL



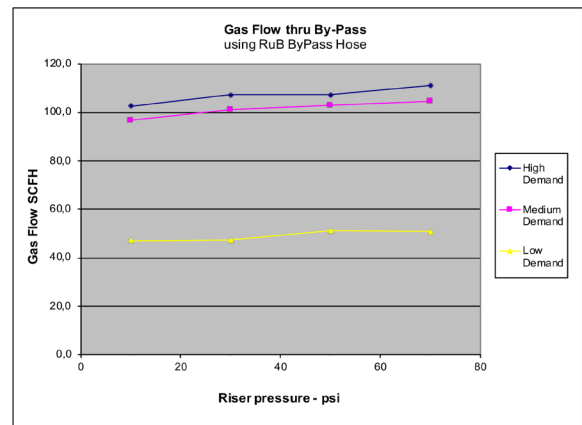
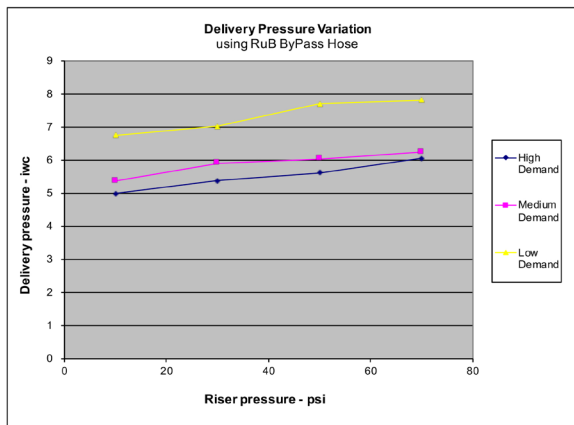
S80E43BP



Part description	Qty	Material
1 Sand blasted body	1	CW617N
2 Seat	2	PTFE glass filled 5-15%
3 Chrome plated ball	1	CW617N
4 Sand blasted end-cap	1	CW617N
5 Nut	1	CW617N
6 NPT female tail piece	1	CW617N
7 O-Ring	1	FPM
8 Stem O-Ring design	1	CW617N
9 O-Ring	2	FPM
10 Washer	1	PTFE glass filled 25%
11 Sand blasted lockwing	1	CW617N
12 Stainless steel screw	1	1.4301 / AISI304
13 Plug	1	CW617N
14 Security plug	1	Polystyrene
15 O-Ring	1	FPM
16 Insulation (for 3/4")	1	Polyamide



DN shows the nominal flow diameter. Actual flow diameter complies with full port DIN 3357 part 4.



**WARNING:** This product can expose you to chemicals including lead which is known to the state of California to cause cancer and birth defects or other reproductive harm. For more information go to [www.P65Warnings.ca.gov](http://www.P65Warnings.ca.gov)

XCES80SP - 4266

RuB, Inc. - [www.rubinc.com](http://www.rubinc.com)