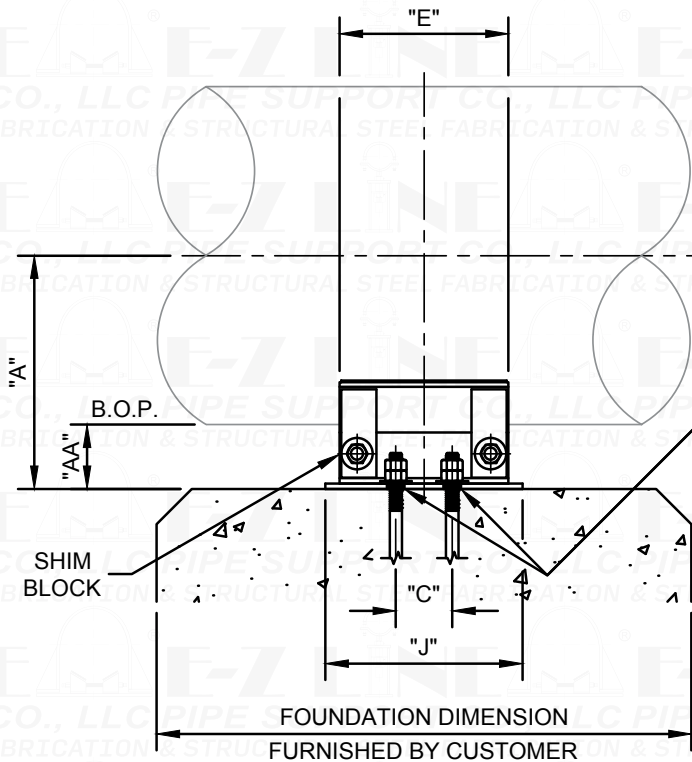
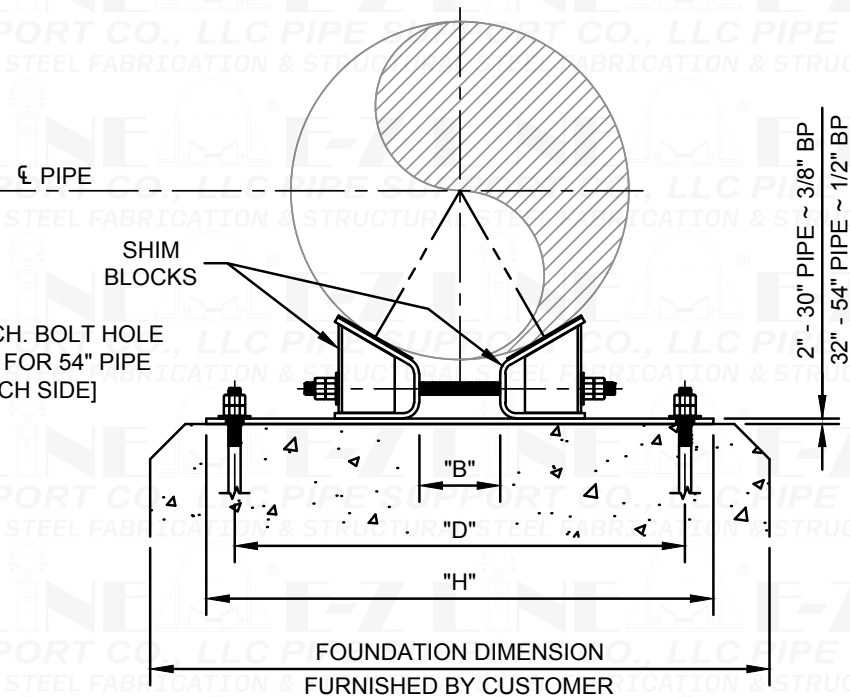


SBA-01

SHIM BLOCK AND BASE PLATE ASSEMBLY



ELEVATION AT PIPE SUPPORT



SECTION THRU PIPE AT SUPPORT