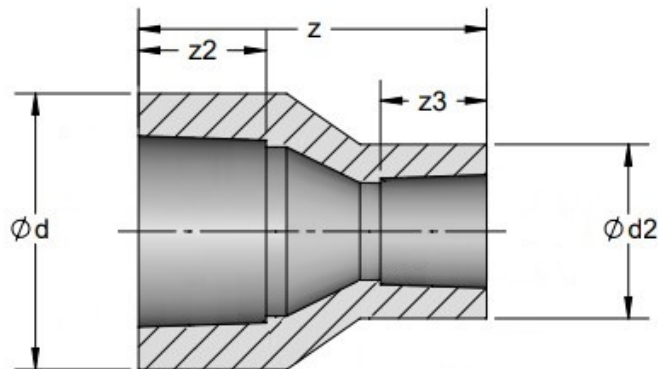


## SOCKET FITTINGS REDUCERS: PE2708, IPS x IPS



- Approval: ASTM D2513
- Approval: ASTM D2683
- Approval: IAPMO
- Approval: CSA B137.4 (Indicated with \*)

Main Size (inch)	GF Code	weight (lb)	CSA	d (inch)	d2 (inch)	z (inch)	z2 (inch)	z3 (inch)	Box Qty
0.75 x 0.5	<b>360 002 155</b>	0.0		1.02	1.01	1.84	0.73	0.64	100
1 x 0.5	<b>360 002 163</b>	0.1		1.27	1.27	2.16	0.79	0.65	100
1 x 0.75	<b>360 002 165</b>	0.1	*	1.27	1.27	1.98	0.75	0.69	100
1.25 x 0.5	<b>360 002 169</b>	0.1		1.62	1.61	2.37	0.99	0.65	100
1.25 x 0.75	<b>360 003 545</b>	0.1	*	1.62	1.61	2.18	1.01	0.72	100
1.25 x 1	<b>360 002 173</b>	0.1	*	1.62	1.61	2.27	0.96	0.81	100
1.5 x 0.75	<b>360 002 174</b>	0.1		1.86	1.85	2.16	0.96	0.75	100
1.5 x 1	<b>360 002 176</b>	0.1		1.86	1.85	2.15	0.97	0.77	100
1.5 x 1.25	<b>360 002 178</b>	0.2		1.86	1.85	2.16	0.97	0.96	100
2 x 1	<b>360 002 181</b>	0.3		2.34	2.32	2.52	1.00	0.77	100
2 x 1.25	<b>360 002 183</b>	0.3	*	2.34	2.32	2.55	1.00	0.96	100
2 x 1.5	<b>360 003 405</b>	0.3	*	2.34	2.32	2.56	1.00	0.97	100
3 x 2	<b>360 002 187</b>	1.0	*	3.46	3.44	3.18	1.19	0.98	10
4 x 2	<b>360 002 189</b>	1.9	*	4.45	4.43	4.14	1.30	0.98	10
4 x 3	<b>360 002 191</b>	2.4	*	4.45	4.43	4.48	1.30	1.18	5



The technical data are not binding. They neither constitute expressly warranted characteristics nor guaranteed properties nor a guaranteed durability. They are subject to modification. Our General Terms of Sale apply.

Georg Fischer Piping Systems Ltd, Postfach, CH-8201 Schaffhausen/Switzerland

Phone +41 -(0)52-631 1111

e-mail: [info.ps@georgfischer.com](mailto:info.ps@georgfischer.com)

Internet: <http://www.gfps.com>