



s.71 NPT

1/2" - 4"
standard port



Quality

- 24h 100% seal test guaranteed
- Dual sealing system allows valve to be operated in either direction making installation easier
- No metal-to-metal moving parts
- Handle clearly shows ball position
- Silicone-free lubricant on all seals
- Chrome plated brass ball for longer life
- Handle stops on body to avoid stress at stem

Body

- Hot forged sand blasted, unplated brass body and cap sealed with Loctite® or equivalent thread sealant
- Finest brass according to EN 12165 and EN 12164 specifications

Stem

- Blowout-proof nickel plated brass stem
- Pure PTFE adjustable packing gland and reinforced washer for lower torque and easy maintenance
- Triple stem seals in sizes over 2 1/2"

Sealing

- Pure PTFE self-lubricating seats with flexible-lip design

Threads

- NPT taper ANSI B.1.20.1 female by female threads

Flow

- Standard port for compact design

Handle

- Geomet® carbon steel handle with thick PVC dip coating. Handle coating offers both thermal and electrical protection

Working pressure & temperature

- 600 PSI non-shock cold working pressure
- *150 psig non-shock steam working pressure. Not suitable for throttling steam.
- -40°F/+366°F
- **WARNING:** freezing of the fluid in the installation may severely damage the valve

Options

- Oval lockable handle up to 2 1/2", round over 2 1/2"
- Stem extension up to 2 1/2"
- T-handle up to 2 1/2"
- Stainless steel handle (1.4016 / AISI 430) up to 2 1/2"
- Patented locking device
- Stubby handle up to 2"

Upon request

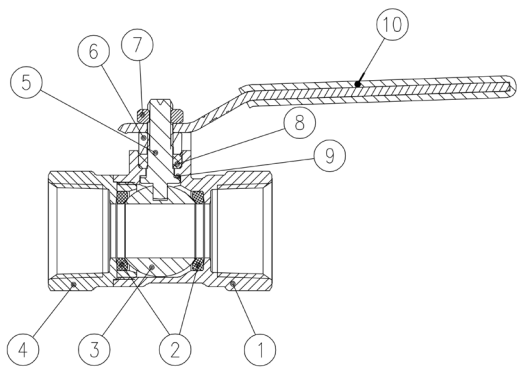
- Stainless steel ball and/or stem (1.4401 / AISI 316)
- Glass filled PTFE seals
- Custom design

Approved by or in compliance with

- Canadian standards Association (United States, Canada)
- RoHS Compliant (EU)

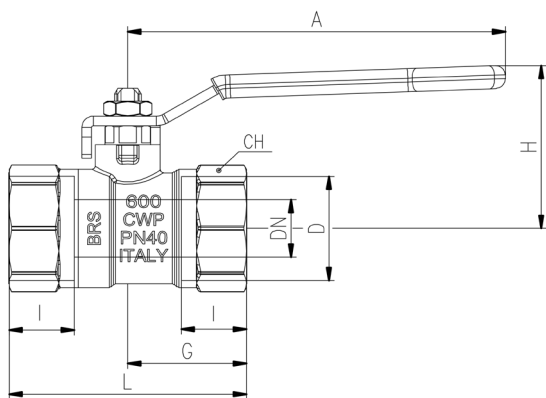
NOTE: approvals apply to specific configurations/sizes only.





1 1/2"-2 1/2" hollow ball

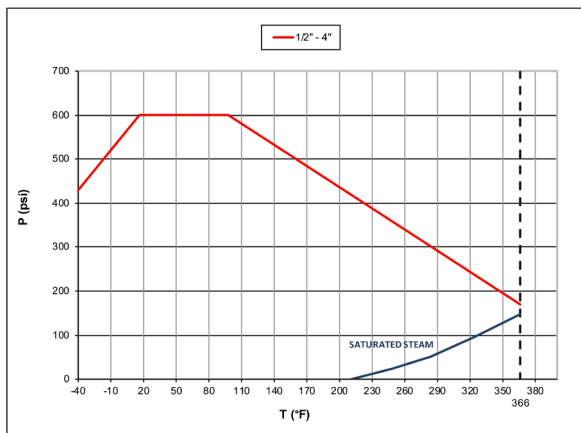
| Part description | Q.ty | Material |
|---|------|------------------------|
| 1 Unplated body | 1 | CW617N |
| 2 Seat | 2 | PTFE |
| 3 Chrome plated ball | 1 | CW617N |
| 4 Unplated end-cap | 1 | CW617N |
| 5 Nickel plated stem packing gland design | 1 | CW617N |
| 6 Nickel plated gland nut | 1 | CW617N |
| 7 Geomet® nut | 1 | CB4FF (EN10263-2) |
| 8 Packing gland seal | 1 | PTFE |
| 9 Washer | 1 | PTFE carbon filled 25% |
| 10 Black PVC coated Geomet® steel handle | 1 | DD11 (EN10111) |



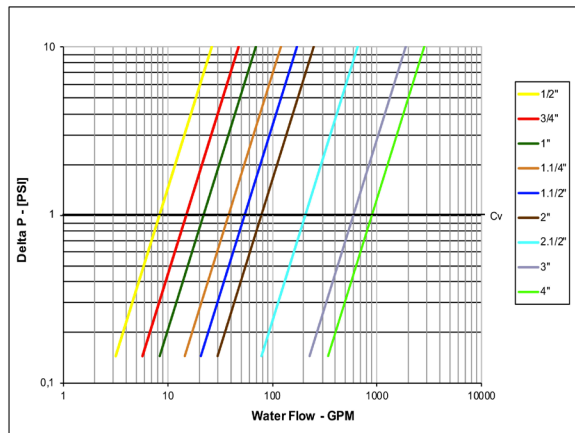
DN shows the nominal flow diameter.
Stem configuration of valves over 2 1/2" is slightly different.

| Code | S71D41 | S71E41 | S71F41 | S71G41 | S71H41 | S71I41 | S71L41 | S71M41 | S71N41 |
|-----------|--------|--------|--------|--------|--------|--------|--------|--------|--------|
| D (inch) | 1/2 | 3/4 | 1 | 1 1/4 | 1 1/2 | 2 | 2 1/2 | 3 | 4 |
| DN (inch) | 0.453 | 0.591 | 0.787 | 0.984 | 1.260 | 1.575 | 1.968 | 2.559 | 3.150 |
| I (inch) | 0.610 | 0.669 | 0.827 | 0.905 | 0.905 | 1.043 | 1.260 | 1.378 | 1.634 |
| L (inch) | 2.126 | 2.441 | 2.835 | 3.464 | 3.779 | 4.409 | 5.276 | 6.378 | 7.480 |
| G (inch) | 1.043 | 1.220 | 1.417 | 1.732 | 1.890 | 2.205 | 2.638 | 3.189 | 3.740 |
| A (inch) | 3.937 | 3.937 | 4.724 | 4.724 | 6.220 | 6.220 | 6.220 | 10.039 | 10.039 |
| H (inch) | 1.693 | 1.695 | 1.984 | 2.153 | 2.988 | 3.236 | 3.500 | 5.197 | 5.512 |
| CH (inch) | 0.984 | 1.220 | 1.496 | 1.929 | 2.126 | 2.677 | 3.346 | 3.898 | 4.921 |
| Cv(GPM) | 8.3 | 15.0 | 22.0 | 38.1 | 54.3 | 78.6 | 206.8 | 596.2 | 896.5 |

Pressure-temperature chart



Pressure drop chart



WARNING: This product can expose you to chemicals including lead which is known to the state of California to cause cancer and birth defects or other reproductive harm. For more information go to www.P65Warnings.ca.gov