



Gas Connectors & Accessories

Continental Industries

STEEL COUPLINGS



Gas Connectors & Accessories



1-800-558-1373 or FAX 1-800-788-1668 • Visit www.conind.com



Our Company

Continental Industries, headquartered in Tulsa , Oklahoma , was formed in 1958 and is today a leading manufacturer of connectors for the Gas Utility, Gas & Water Distribution, Propane, Plumbing and Cathodic Protection markets.

An ISO 9001 certified company, Continental Industries has manufacturing locations in Tulsa and Broken Arrow , Oklahoma. Our employees are committed to providing the best value to our customers.

Our full line of plastic and steel connector products are produced utilizing state-of-the-art injection molding machines, automatic screw machines, and CNC machining equipment. Our commitment to quality is evident in every step of our business processes. Renowned for our design and development of technologically advanced products, we provide our customers with reliable, cost-effective solutions to their “main to meter” service line installation, repair, or renewal problems.

thermOweld® , our exothermic welding materials and accessories products, provide a simple, efficient, cost effective method of permanently connecting two or more conductors utilizing a high temperature exothermic reaction between Aluminum and Copper Oxide to produce an almost pure copper weld. We manufacture all of our weld metal and molds in Oklahoma so you are certain of getting consistent, high quality products to satisfy your exothermic welding needs.

Our Vision

Simply stated, our vision is “To be a Sales and Customer Driven Company” . Our commitment to providing the best value to our customers is shared by the entire organization and is evidenced by both the number of long standing relationships we have gratefully developed over the years and the new relationships we are developing every day.

Why Use

Continental Industries is the industry leader in the manufacturing of plastic and steel mechanical fittings for the Gas & Water industry. From the I.D. Seal® Con-Stab to Scope®, steel saddles to HVT, quality and service is what drives us at Continental Industries.

Manufacturing fittings since 1958, Continental has the experience and confidence necessary to provide the best quality products on the market today. Continental Industries’ mechanical fittings will save you both time and money and give you the peace of mind that comes with using a quality product.

Continental Industries’ uses only the highest quality raw materials, engineered designs and manufacturing processes to ensure the consistent quality that makes Continental Industries’ products second to none.

With regional sales offices located throughout the United States, a Continental Industries representative is only a phone call away to help with any questions you may have.

Come experience what so many other satisfied customers have experienced, the excitement and family atmosphere that is Continental Industries!

TABLE OF CONTENTS

PE Compression Couplings	3-5
Conductive Compression Couplings	6-8
Service Head Adapters	9-10

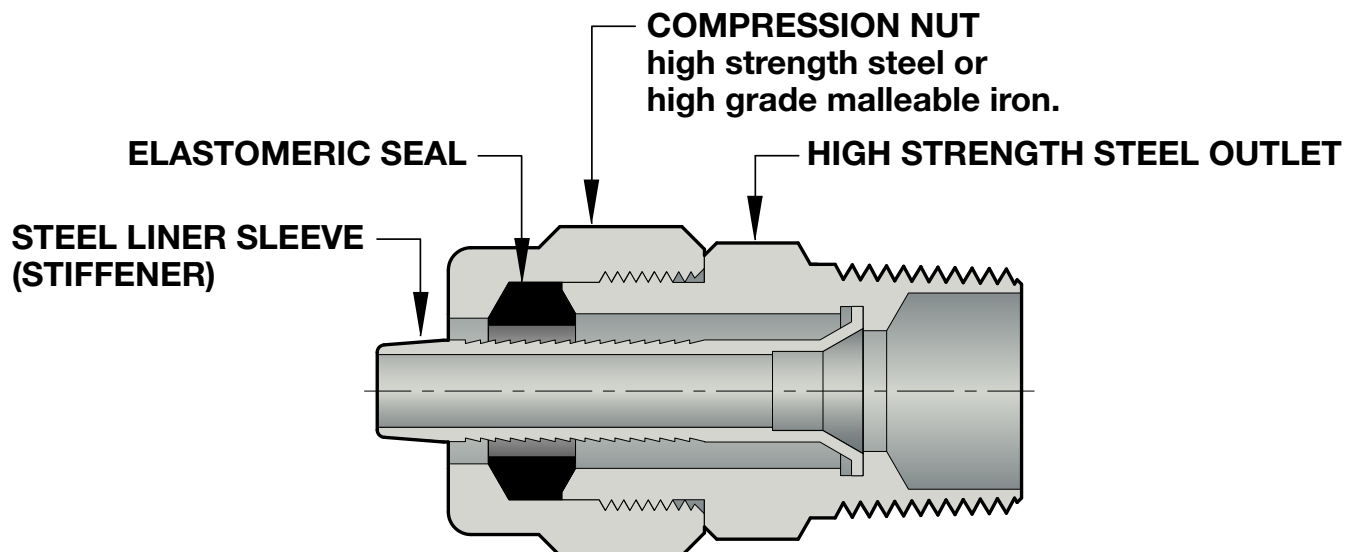




PLASTIC COMPRESSION COUPLINGS

STEEL MECHANICAL COMPRESSION COUPLINGS

For Joining Polyethylene Piping to Metallic Pipe



- **QUICKLY AND EASILY INSTALLED**—because it's pre-assembled. Just insert tubing and tighten compression nut.
- **STEEL MECHANICAL COMPRESSION FITTINGS**—can be used on a variety of polyethylene fuel gas piping. Visual indicators make repeatable and successful installation a cinch. The installation is simple and the same procedure is used for 3408/4710, 2406/2708, 2306 or 3306 polyethylene.
- **DESIGNED FOR MAXIMUM PULL-OUT STRENGTH**—tensile strength exceeds requirements of D.O.T., Title 49 of the Code of Federal Regulations, Part 192.283 (b)
- **PERMANENT LEAK-PROOF JOINT**
- **ECONOMICAL AND EXTREMELY VERSATILE**
- **GASKET FULLY RETAINED TO PREVENT COLD FLOW**



PLASTIC COMPRESSION COUPLINGS



STEEL ADAPTER COUPLINGS PE Compression x Male Pipe Thread



STEEL ADAPTER COUPLINGS PE Compression x Female Pipe Thread



PE SIZE	WALL	MPT	PART NUMBER
1/4" CTS (3/8" OD)	.062	1/2"	0242-00-0912-00
		3/4"	0242-00-0913-00
1/2" CTS (5/8" OD)	.090	1/2"	0442-00-0912-00†
		3/4"	0442-00-0913-00†
		1"	0442-00-0914-00†
	.062	1/2"	0442-00-0912-A0
		3/4"	0442-00-0913-A0
		1"	0442-00-0914-A0
3/4" CTS (7/8" OD)	.090	1/2"	0642-00-0912-00
		3/4"	0642-00-0913-00†
		1"	0642-00-0914-00†
1" CTS (1 1/8" OD)	.099/.101	3/4"	0842-00-0913-00†
		1"	0842-00-0914-00†
		1 1/4"	0842-00-0915-00†
	.090	3/4"	0842-00-0913-A0
		1"	0842-00-0914-A0
		1 1/4"	0842-00-0915-A0
1/2" IPS	SDR-9.33 (.090)	1/2"	1242-00-0912-00
		3/4"	1242-00-0913-00†
		1"	1242-00-0914-00†
3/4" IPS	SDR-11 (.095)	3/4"	1342-00-0913-00
		1"	1342-00-0914-00†
		1 1/4"	1342-00-0915-00
1" IPS	SDR-11 (.119)	3/4"	1442-00-0913-00
		1"	1442-00-0914-00
1 1/4" IPS	SDR-10 (.166)	1"	1542-00-0914-00
		1 1/4"	1542-00-0915-00
	SDR-11 (.151)	1"	1542-00-0914-A0
		1 1/4"	1542-00-0915-A0

For sizes not listed, contact Continental Industries.

Pressure rating—Designed to meet or exceed pressure rating of PE pipe per 49 CFR Part 192 and ASTM D2513.

† = CSA Approved

STEEL ADAPTER COUPLINGS PE Compression x Butt Weld



PE SIZE	WALL	FPT	PART NUMBER
1/4" CTS (3/8" OD)	.062	1/2"	0242-00-1512-00
		3/4"	0242-00-1513-00
1/2" CTS (5/8" OD)	.090	1/2"	0442-00-1512-00
		3/4"	0442-00-1513-00
		1"	0442-00-1514-00
	.062	1/2"	0442-00-1512-A0
		3/4"	0442-00-1513-A0
		1"	0442-00-1514-A0
3/4" CTS (7/8" OD)	.090	1/2"	0642-00-1512-00
		3/4"	0642-00-1513-00
		1"	0642-00-1514-00
1" CTS (1 1/8" OD)	.099/.101	3/4"	0842-00-1513-00
		1"	0842-00-1514-00
		1 1/4"	0842-00-1515-00
	.090	3/4"	0842-00-1513-A0
		1"	0842-00-1514-A0
		1 1/4"	0842-00-1515-A0
1/2" IPS	SDR-9.33 (.090)	1/2"	1242-00-1512-00
		3/4"	1242-00-1513-00
		1"	1242-00-1514-00
3/4" IPS	SDR-11 (.095)	3/4"	1342-00-1513-00
		1"	1342-00-1514-00
		1 1/4"	1342-00-1515-00
1" IPS	SDR-11 (.119)	3/4"	1442-00-1513-00
		1"	1442-00-1514-00

For sizes not listed, contact Continental Industries.

Pressure rating—Designed to meet or exceed pressure rating of PE pipe per 49 CFR Part 192 and ASTM D2513.

PE SIZE	WALL	Butt Weld	PART NUMBER
1/4" CTS (3/8" OD)	.062	1/2"	0242-00-0612-00
		3/4"	0242-00-0613-00
1/2" CTS (5/8" OD)	.090	3/4"	0442-00-0613-00†
	.062	3/4"	0442-00-0613-A0
3/4" CTS (7/8" OD)	.090	3/4"	0642-00-0613-00†
		1"	0642-00-0614-00†
1" CTS (1 1/8" OD)	.099/.101	3/4"	0842-00-0613-00
	.090	3/4"	0842-00-0613-A0
1/2" IPS	SDR-9.33 (.090)	3/4"	1242-00-0613-00†
		1"	1242-00-0614-00†
3/4" IPS	SDR-11 (.095)	3/4"	1342-00-0613-00
1" IPS	SDR-11 (.119)	1"	1442-00-0614-00
1 1/4" IPS	SDR-10 (.166)	1 1/4"	1542-00-0615-00
		2"	1542-00-0617-00
	SDR-11 (.151)	1 1/4"	1542-00-0615-A0
		2"	1542-00-0617-A0

For sizes not listed, contact Continental Industries.

Pressure rating—Designed to meet or exceed pressure rating of PE pipe per 49 CFR Part 192 and ASTM D2513.

† = CSA Approved



PLASTIC COMPRESSION COUPLINGS

STEEL ADAPTER COUPLINGS PE Compression x Plain End



PE SIZE	WALL	Plain End	PART NUMBER
1/4" CTS (3/8" OD)	.062	1/2"	0242-00-0812-00
1/2" CTS (5/8" OD)	.090	1/2"	0442-00-0812-00†
		3/4"	0442-00-0813-00†
		1"	0442-00-0814-00†
	.062	1/2"	0442-00-0812-A0
		3/4"	0442-00-0813-A0
1"		0442-00-0814-A0	
3/4" CTS (7/8" OD)	.090	1/2"	0642-00-0812-00
1" CTS (1 1/8" OD)	.099/.101	3/4"	0642-00-0813-00†
		1"	0642-00-0814-00†
		1 1/4"	0642-00-0815-00†
	.090	3/4"	0842-00-0813-00†
		1"	0842-00-0814-00†
1/2" IPS	SDR-9.33 (.090)	1 1/4"	0842-00-0815-A0
		1/2"	1242-00-0812-00
		3/4"	1242-00-0813-00†
3/4" IPS	SDR-11 (.095)	1"	1242-00-0814-00†
		3/4"	1342-00-0813-00
		1 1/4"	1342-00-0815-00
1" IPS	SDR-11 (.119)	1"	1442-00-0814-00

For sizes not listed, contact Continental Industries.
 Pressure rating—Designed to meet or exceed pressure rating of PE pipe per 49 CFR Part 192 and ASTM D2513.
 † = CSA Approved

STEEL FULL COUPLINGS PE Compression x PE Compression

PE SIZE	WALL	PE SIZE	WALL	PART NUMBER
1/4" CTS (3/8" OD)	.062	1/4" CTS (3/8" OD)	.062	0242-00-1002-00
1/2" CTS (5/8" OD)	.090	1/2" CTS (5/8" OD)	.090	0442-00-1004-00
	.062		.062	0442-00-1004-AA
3/4" CTS (7/8" OD)	.090	3/4" CTS (7/8" OD)	.090	0642-00-1006-00
1" CTS (1 1/8" OD)	.099/.101	1" CTS (1 1/8" OD)	.099/.101	0842-00-1008-00
	.090		.090	0842-00-1008-AA
1/2" IPS	SDR-9.33 (.090)	1/2" IPS	SDR-9.33 (.090)	1242-00-1012-00
3/4" IPS	SDR-11 (.095)	3/4" IPS	SDR-11 (.095)	1342-00-1013-00
1" IPS	SDR-11 (.119)	1" IPS	SDR-11 (.119)	1442-00-1014-00
1 1/4" IPS	SDR-10 (.166)	1 1/4" IPS	SDR-10 (.166)	1542-00-1015-00
	SDR-11 (.151)		SDR-11 (.151)	1542-00-1015-AA

For sizes not listed, contact Continental Industries.
 Pressure rating—Designed to meet or exceed pressure rating of PE pipe per 49 CFR Part 192 and ASTM D2513.



STEEL REDUCER COUPLINGS PE Compression x PE Compression

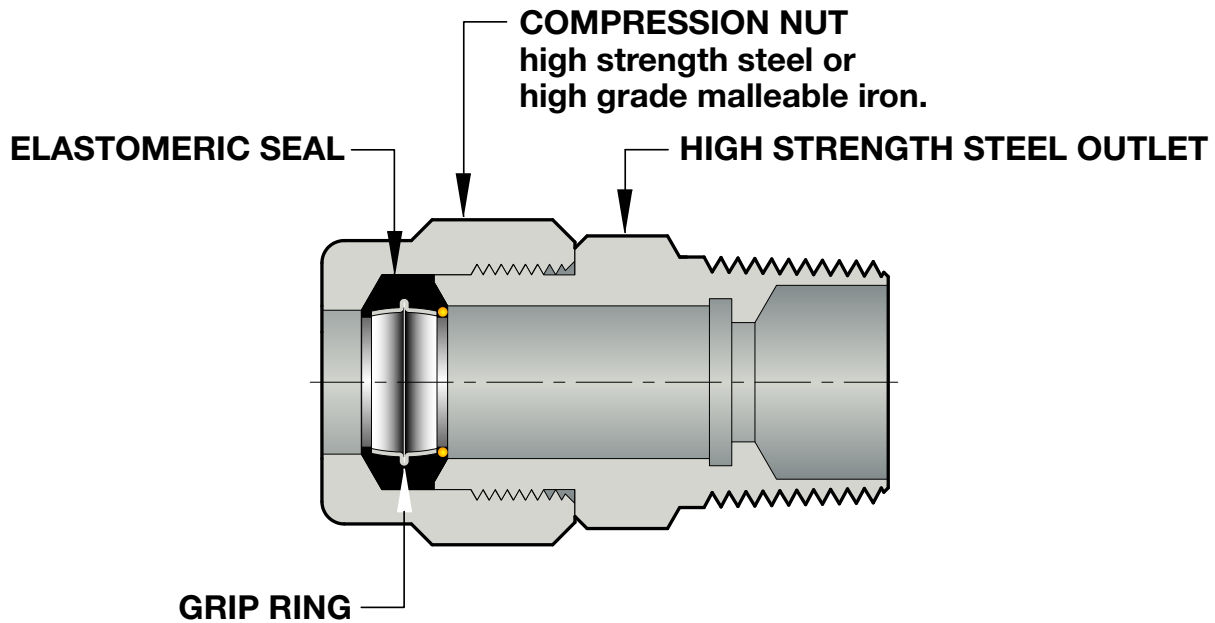
PE SIZE	WALL	PE SIZE	WALL	PART NUMBER
1/2" CTS (5/8" OD)	.090	1/4" CTS (3/8" OD)	.062	0442-00-1002-00
	.062			0442-00-1002-A0
3/4" CTS (7/8" OD)	.090	1/2" IPS	SDR-9.3 (.090)	0642-00-1012-00
1" CTS (1 1/8" OD)	.099/.101	3/4" IPS	SDR-11 (.095)	0842-00-1013-00
	.090			0842-00-1013-A0
3/4" IPS	SDR-11 (.095)	3/4" CTS (7/8" OD)	.090	1342-00-1006-00
		1/2" IPS	SDR-9.3 (.090)	1342-00-1012-00
		1/2" CTS (5/8" OD)	.090	1342-00-1004-00
1" IPS	SDR-11 (.119)	3/4" CTS	.090	1442-00-1006-00
1 1/4" IPS	SDR-10 (.166)	1" CTS (1 1/8" OD)	.099/.101	1542-00-1008-00
		1/2" CTS (5/8" OD)	.090	1542-00-1004-00
	SDR-11 (.151)	1" CTS (1 1/8" OD)	.090	1542-00-1008-AA
		1/2" CTS (5/8" OD)	.062	1542-00-1004-AA

For sizes not listed, contact Continental Industries.
 Pressure rating—Designed to meet or exceed pressure rating of PE pipe per 49 CFR Part 192 and ASTM D2513.



STEEL MECHANICAL COMPRESSION COUPLINGS

For Joining Metallic Tubing or Pipe



- QUICKLY AND EASILY INSTALLED—because it's pre-assembled. Just insert tubing and tighten compression nut.
- PERMANENT LEAK-PROOF JOINT
- ECONOMICAL AND EXTREMELY VERSATILE
- GASKET FULLY RETAINED TO PREVENT COLD FLOW



- For sizes not listed, contact Continental Industries.
- Conductive Compression Outlets rated at 300 psig.

CONDUCTIVE COMPRESSION COUPLINGS

STEEL ADAPTER COUPLINGS

Steel Tube or Pipe (Conductive) Compression x Male Pipe Thread

STEEL TUBE OR PIPE SIZE	MPT	PART NUMBER
1/2" OD	1/2"	0343-00-0912-00
	3/4"	0343-00-0913-00
	1"	0343-00-0914-00
5/8" OD	1/2"	0443-00-0912-00
	3/4"	0443-00-0913-00
	1"	0443-00-0914-00
3/4" IPS	3/4"	1340-00-0913-00
1" IPS	1"	1440-00-0914-00
1 1/4" IPS	3/4"	1540-00-0913-00
	1"	1540-00-0914-00
	1 1/4"	1540-00-0915-00

For sizes not listed, contact Continental Industries.
Conductive Compression Outlets rated at 300 psig.



STEEL ADAPTER COUPLINGS

Steel Tube or Pipe (Conductive) Compression x Female Pipe Thread

STEEL TUBE OR PIPE SIZE	FPT	PART NUMBER
1/2" OD	1/2"	0343-00-1512-00
	3/4"	0343-00-1513-00
	1"	0343-00-1514-00
5/8" OD	1/2"	0443-00-1512-00
	3/4"	0443-00-1513-00
	1"	0443-00-1514-00
3/4" IPS	3/4"	1340-00-1513-00
1" IPS	1"	1440-00-1514-00
1 1/4" IPS	1 1/4"	1540-00-1515-00

For sizes not listed, contact Continental Industries.
Conductive Compression Outlets rated at 300 psig.



STEEL ADAPTER COUPLINGS

Steel Tube or Pipe (Conductive) Compression x Plain End

STEEL TUBE OR PIPE SIZE	Plain End	PART NUMBER
1/2" OD	1/2"	0343-00-0812-00
5/8" OD	1/2"	0443-00-0812-00
	3/4"	0443-00-0813-00
	1"	0443-00-0814-00
	1 1/4"	0443-00-0815-00
3/4" IPS	3/4"	1340-00-0813-00
1" IPS	1"	1340-00-0814-00
	1"	1440-00-0814-00

For sizes not listed, contact Continental Industries.
Conductive Compression Outlets rated at 300 psig.



CONDUCTIVE COMPRESSION COUPLINGS

STEEL FULL COUPLINGS

Steel Tube or Pipe (Conductive) Compression x Steel Tube or Pipe (Conductive) Compression

STEEL TUBE OR PIPE SIZE	STEEL TUBE OR PIPE SIZE	PART NUMBER
1/2" OD	1/2" OD	0343-00-1303-00
5/8" OD	5/8" OD	0443-00-1304-00
3/4" IPS	3/4" IPS	1340-00-0413-00
1" IPS	1" IPS	1440-00-0414-00

For sizes not listed, contact Continental Industries.
Conductive Compression Outlets rated at 300 psig.



STEEL REDUCER COUPLINGS

Steel Tube or Pipe (Conductive) Compression x Steel Tube or Pipe (Conductive) Compression

STEEL TUBE OR PIPE SIZE	STEEL TUBE OR PIPE SIZE	PART NUMBER
5/8" OD	1/2" OD	0443-00-1303-00
3/4" IPS	1/2" OD	0343-00-0413-00
1" IPS	3/4" IPS	1440-00-0413-00
1 1/4" IPS	5/8" OD	0443-00-0415-00

For sizes not listed, contact Continental Industries.
Conductive Compression Outlets rated at 300 psig.



STEEL REDUCER COUPLINGS

Steel Tube or Pipe (Conductive) Compression x PE Compression

STEEL TUBE OR PIPE SIZE	PE SIZE	WALL	PART NUMBER
1/2" OD	3/4" IPS	SDR-11 (.095)	0343-00-1013-00
	1/2" IPS	SDR-9.3 (.090)	0343-00-1012-00
	1/2" CTS (5/8" OD)	.090	0343-00-1004-00
5/8" OD	1 1/4" IPS	SDR-10 (.166)	0443-00-1015-00
	3/4" IPS	SDR-11 (.095)	0443-00-1013-00
	1/2" CTS (5/8" OD)	.090	0443-00-1004-00
3/4" IPS	1" CTS (1 1/8" OD)	.099/.101	1340-00-1008-00
	3/4" IPS	SDR-11 (.095)	1340-00-1013-00
	1/2" IPS	SDR-9.3 (.090)	1340-00-1012-00
	1/2" CTS (5/8" OD)	.090	1340-00-1004-00
1" IPS	1 1/4" IPS	SDR-10 (.166)	1440-00-1015-00
	1" IPS	SDR-11 (.119)	1440-00-1014-00
	1" CTS (1 1/8" OD)	.099/.101	1440-00-1008-00
	3/4" IPS	SDR-11 (.095)	1440-00-1013-00
	3/4" CTS (7/8" OD)	.090	1440-00-1006-00
	1/2" IPS	SDR-9.3 (.090)	1440-00-1012-00
1 1/4" IPS	1/2" CTS (5/8" OD)	.090	1440-00-1004-00
	1 1/4" IPS	SDR-10 (.166)	1540-00-1015-00
	1" IPS	SDR-11 (.119)	1540-00-1014-00
	1" CTS (1 1/8" OD)	.099/.101	1540-00-1008-00
	3/4" IPS	SDR-11 (.095)	1540-00-1013-00
	3/4" CTS (7/8" OD)	.090	1540-00-1006-00
	1/2" IPS	SDR-9.3 (.090)	1540-00-1012-00
	1/2" CTS (5/8" OD)	.090	1540-00-1004-00

For sizes not listed, contact Continental Industries.
Pressure rating—Designed to meet or exceed pressure rating of PE pipe per 49 CFR Part 192 and ASTM D2513.

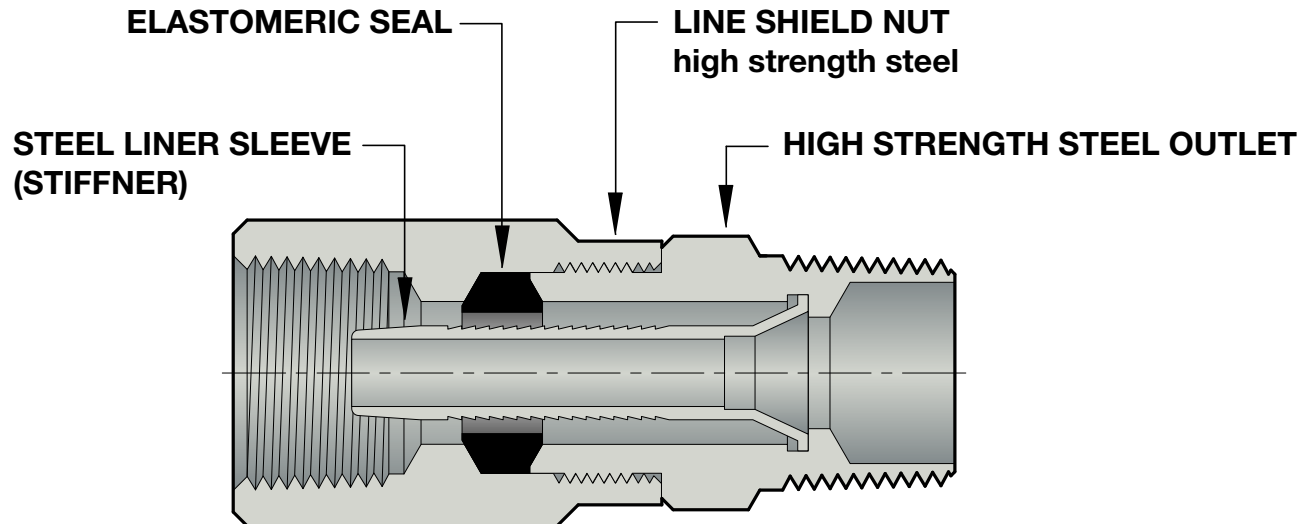




SERVICE HEAD ADAPTERS

STEEL MECHANICAL COMPRESSION COUPLINGS

For Joining Polyethylene Piping to Metallic Pipe



- QUICKLY AND EASILY INSTALLED—because it's pre-assembled. Just insert tubing and tighten compression nut.
- STEEL MECHANICAL COMPRESSION FITTINGS—can be used on a variety of polyethylene fuel gas piping. Visual indicators make repeatable and successful installation a cinch. The installation is simple and the same procedure is used for 3408/4710, 2406/2708, 2306 or 3306 polyethylene.
- DESIGNED FOR MAXIMUM PULL-OUT STRENGTH—tensile strength exceeds requirements of D.O.T., Title 49 of the Code of Federal Regulations, Part 192.283 (b)
- PERMANENT LEAK-PROOF JOINT
- ECONOMICAL AND EXTREMELY VERSATILE
- GASKET FULLY RETAINED TO PREVENT COLD FLOW



SERVICE HEAD ADAPTERS



SERVICE HEAD ADAPTERS

PE Compression x Male Pipe Thread x Female Pipe Thread

PE SIZE	WALL	MPT	FPT	PART NUMBER	PART NUMBER (Zinc Plated)
1/4" CTS (3/8" OD)	.062	3/4"	3/4"	9942-00-0187-00	
1/2" CTS (5/8" OD)	.090	1/2"	3/4"	0442-00-0912-05	0442-95-0912-05
		3/4"	3/4"	0442-00-0913-05‡	9942-99-0089-00
		3/4"	1"	0442-00-0913-06	0442-95-0913-06
		1"	3/4"	0442-00-0914-05	0442-95-0914-05
		1"	1"	0442-00-0914-06	0442-95-0914-06
		1 1/4"	3/4"	0442-00-0915-05	0442-95-0915-05
3/4" CTS (7/8" OD)	.090	3/4"	1"	0642-00-0913-06	0642-95-0913-06
		1"	1"	0642-00-0914-06	0642-95-0914-06
		1"	1 1/4"	0642-00-0914-07	0642-95-0914-07
1" CTS (1 1/8" OD)	.099/.101	3/4"	1 1/4"	0842-00-0913-07‡	0842-95-0913-07
		1"	1 1/4"	0842-00-0914-07	0842-95-0914-07
		1 1/4"	1 1/4"	0842-00-0915-07	0842-95-0915-07
	.090	3/4"	1 1/4"	9942-00-0184-00	9942-00-0200-00
		1"	1 1/4"	9942-00-0199-00	9942-00-0201-00
		1 1/4"	1 1/4"	9942-00-0185-00	9942-00-0116-00
1/2" IPS	SDR-9.33 (.090)	3/4"	1"	1242-00-0913-06	1242-95-0913-06
		1"	1"	1242-00-0914-06	1242-95-0914-06
		1 1/4"	1"	1242-00-0915-06	1242-95-0915-06
3/4" IPS	SDR-11 (.095)	3/4"	1 1/4"	1342-00-0913-07‡	1342-95-0913-07
		1"	1 1/4"	1342-00-0914-07	1342-95-0914-07
		1 1/4"	1 1/4"	1342-00-0915-07	1342-95-0915-07

For sizes not listed, contact Continental Industries.

Pressure rating—Designed to meet or exceed pressure rating of PE pipe per 49 CFR Part 192 and ASTM D2513.

‡ = IAPMO/UPC Listed



SERVICE HEAD ADAPTERS

PE Compression x Male Pipe Thread x Thread for Flex Tubing

SIZE	WALL	MPT	FLEX	PART NUMBER	PART NUMBER (Zinc Plated)
1/2" CTS (5/8" OD)	.090	1/2"	3/4"	0442-00-0912-18	0442-95-0912-18
		3/4"	3/4"	0442-00-0913-18	0442-95-0913-18
		1"	3/4"	0442-00-0914-18	0442-95-0914-18
3/4" CTS (7/8" OD)	.090	3/4"	1"	0642-00-0913-19	0642-95-0913-19
		1"	1"	0642-00-0914-19	0642-95-0914-19
1" CTS (1 1/8" OD)	.099/.101	3/4"	1 1/4"	0842-00-0913-20	0842-95-0913-20
		1"	1 1/4"	0842-00-0914-20	0842-95-0914-20
		1 1/4"	1 1/4"	0842-00-0915-20	0842-95-0915-20
1/2" IPS	SDR-9.33 (.090)	3/4"	1"	1242-00-0913-19	1242-95-0913-19
		1"	1"	1242-00-0914-19	1242-95-0914-19
3/4" IPS	SDR-11 (.095)	3/4"	1 1/4"	1342-00-0913-20	1342-95-0913-20
		1"	1 1/4"	1342-00-0914-20	1342-95-0914-20
		1 1/4"	1 1/4"	1342-00-0915-20	1342-95-0915-20

For sizes not listed, contact Continental Industries.

Pressure rating—Designed to meet or exceed pressure rating of PE pipe per 49 CFR Part 192 and ASTM D2513.



SERVICE HEAD ADAPTERS

PE Compression x Male Pipe Thread x Barbed for Flex Tubing

SIZE	WALL	MPT	FLEX	PART NUMBER
1/2" CTS (5/8" OD)	.090	1/2"	3/4"	9942-00-0202-00
		3/4"	3/4"	9942-00-0118-00
		1"	3/4"	9942-00-0203-00
3/4" CTS (7/8" OD)	.090	3/4"	1"	9942-00-0117-00
		1"	1"	9942-00-0204-00
1" CTS (1 1/8" OD)	.099/.101	3/4"	1 1/4"	9942-00-0016-00
		1"	1 1/4"	9942-00-0025-00
		1 1/4"	1 1/4"	9942-00-0205-00

For sizes not listed, contact Continental Industries.

Pressure rating—Designed to meet or exceed pressure rating of PE pipe per 49 CFR Part 192 and ASTM D2513.





Continental's Steel Mechanical Compression Couplings provide the user with the following advantages:

- Continental's mechanical compression fittings have been sold to the Gas Distribution, Plumbing and Propane markets since 1962
- Millions are in service in the U.S.
- Cost effective joining method
- Simple assembly
- Permanent leakproof joint
- Gasket fully retained to prevent cold flow
- Designed for maximum pullout strength—tensile strength exceeds requirements of D.O.T., Title 49 of the Code of Federal Regulations, Part 192.283(b)
- Built in stiffener—no loose parts
- Lock Type Design—nut bottoms out to provide fool-proof controlled compression
- Meets or exceeds all D.O.T. and ASTM requirements



Continental Industries is an ISO 9001 Certified Company. Continental's Steel Mechanical Compression Couplings are manufactured and tested to the following industry standards.

- ASTM D 2513 "Standard Specification for Thermoplastic Gas Pressure Pipe, Tubing and Fittings"
- ASTM F 1948 "Standard Specification for Metallic Mechanical Fittings for Use on Outside Diameted Controlled Thermoplastic Gas Distribution Pipe and Tubing"
- ASME B31.8-1995 "Gas Transmission and Distribution Piping Systems"
- D.O.T., Title 49 of the Code of Federal Regulations, Part 192.283 (b) & 192.367

COMPRESSION STYLES



Compression Style Fitting For PE Pipe
(Lock Type Compression Shown)



Compression Style Fitting For Steel Pipe
(Standard Compression Shown)

Compression Style Fittings for PE Pipe — Compression style fittings for PE pipe are designed with a built in stiffener concept and are to be used with PE pipe manufactured to ASTM D-2513 specifications. Two basic designs are supplied; the lock type positive bottoming for controlled compression and the standard compression which requires controlled torquing to proper compression. Refer to the instructions given with each fitting for proper installation.

Compression Style Fittings for Steel Pipe — Two basic designs are supplied; the lock type and standard compression. Lock type compression is positive bottoming for controlled compression and the standard compression requires controlled torquing for proper compression. Refer to the instructions given with each fitting for proper installation.



Gas Connectors & Accessories

Continental Industries

Superior Quality

Superior Service

Superior Selection



1140 North 129th East Ave. Tulsa OK 74116

Phone: 918-627-5210

Fax: 918-6221275

www.conind.com

0000-99-1045-00 ECN 2625 REV "J" 08/14



www.hubbell.com

