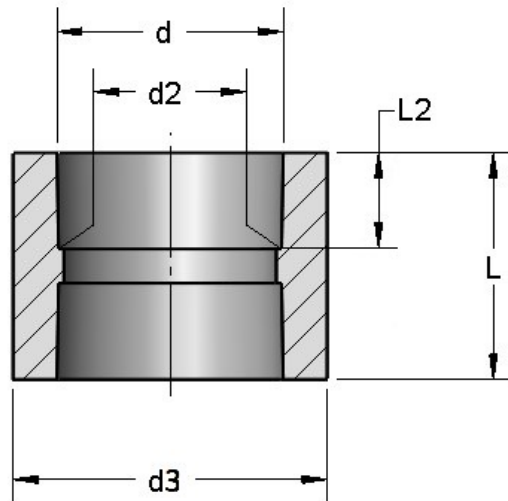


## SOCKET FITTINGS COUPLINGS: PE2708, IPS, DR7

- Meets ASTM D2513
- Approval: ASTM D2683
- Certified to CSA B137.4
- Approval: IAPMO (indicated with \*)

Main Size (inch)	GF Code	weight (lb)	IAPMO	d (inch)	d2 (inch)	d4 (inch)	L (inch)	L2 (inch)	Box Qty
0.5	360 002 132	0.0		0.81	0.80	1.20	2.19	0.98	100
0.75	360 002 134	0.1		1.02	1.01	1.46	2.19	0.98	100
1	360 002 138	0.1	*	1.27	1.27	1.82	2.19	0.98	100
1.25	360 002 140	0.1	*	1.62	1.61	2.28	2.19	0.96	100
1.5	360 002 142	0.2	*	1.86	1.85	2.55	2.18	0.98	100
2	360 002 144	0.3	*	2.34	2.32	3.27	2.36	1.00	100
3	360 002 146	1.1	*	3.46	3.44	5.07	2.81	1.18	10
4	360 002 148	2.0	*	4.45	4.43	6.48	3.18	1.32	10



The technical data are not binding. They neither constitute expressly warranted characteristics nor guaranteed properties nor a guaranteed durability. They are subject to modification. Our General Terms of Sale apply.

Georg Fischer Piping Systems Ltd, Postfach, CH-8201 Schaffhausen/Switzerland Phone +41 -(0)52-631 1111 e-mail: info.ps@georgfischer.com Internet: <http://www.gfps.com>