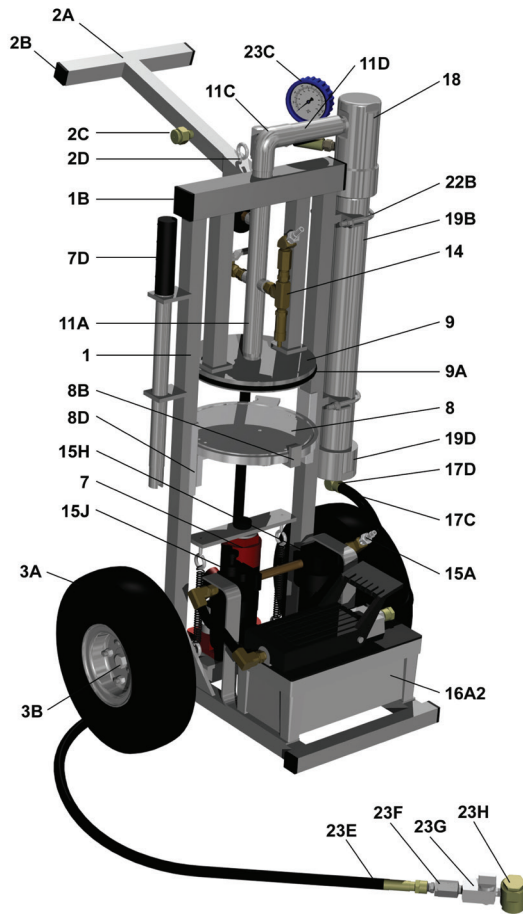


ACTIV-8® PARTS BREAK-DOWN



A CMC MATERIALS COMPANY

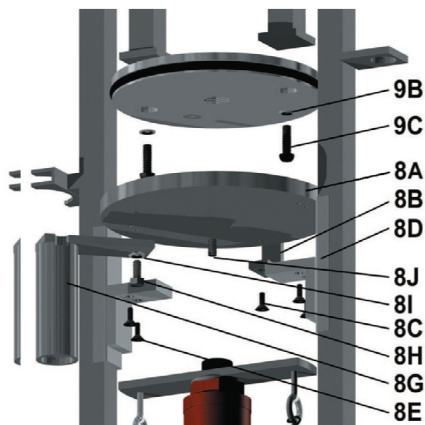
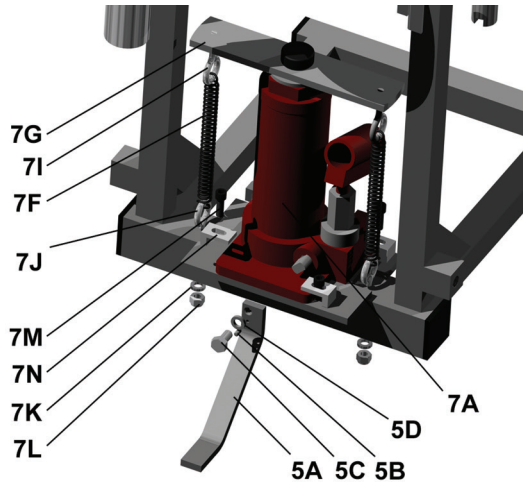
ACTIV-8® PARTS LIST PT1



Illus. #	Description	Order Part #	Qty. Req'd
1	ACTIV-8® Frame (bare)	R-A8-01	1
1B	1-1/2" Frame Plugs	R-A8-01B	4
	T-Handle Assembly	R-A8-02	
2A	T-Handle (bare)	R-A8-02A	1
2B	1" Frame Plugs	R-A8-02B	4
2C	Capped Sealant Fitting 1/2" Carbon Steel	F-SC1/4-BH-CS	1
2D	T-Handle Large Eye Hook	R-A8-53	1
	Washer - 1/2"	R-A8-32	1
	1/2" Nylock Lock Nut	R-A8-33	1
3A	Pneumatic Wheel	R-A8-03P1	2
3B	1/2" x 3-1/4" New Style Axle	R-A8-03P5	2
	Kick Stand Assembly	R-A8-05	
5A	Kick Stand	R-A8-05A	1
5B	Kick Stand Set Screw	R-A8-05B	1
5C	Kick Stand Bolt	R-A8-34	1
5D	Washer - 1/2"	R-A8-32	2
	1/2" Nylock Lock Nut	R-A8-33	1
7	Jack Assembly	R-A8-07	
7A	Jack	R-A8-07A	1
	Jack Collar	R-A8-07AC	1
	Jack Handle with Grip Assembly	R-A8-07B	1
7D	Jack Handle with Grip	R-A8-07B2	1
	Washer - 1/2"	R-A8-32	1
	Jack Bracket Bolt	R-A8-50A	1
7F	Jack Pull Down Springs	R-A8-07C	2
7G	Jack Pull-Down Bar	R-A8-07D	1
7I	Upper Eye Bolts	R-A8-29	2
7J	Lower Eye Bolts	R-A8-30	2
7K	Washer - 1/2"	R-A8-32	2
7L	1/2" Nylock Lock Nut	R-A8-33	2
7M	Jack Bracket Bolts	R-A8-50A	4
7N	Jack Bracket	R-A8-50B	4
8	Elevator Plate Assembly	R-A8-08	
8A	Elevator Plate	R-A8-08A	1
8B	Elevator Plate Back-Stop	R-A8-08B	1
8C	Back Stop Bolt	R-A8-37	1
8D	Slide Rails	R-A8-08C	2
8E	Slide Rail Screw	R-A8-52	4
	Jack Extension Assembly	R-A8-08D	

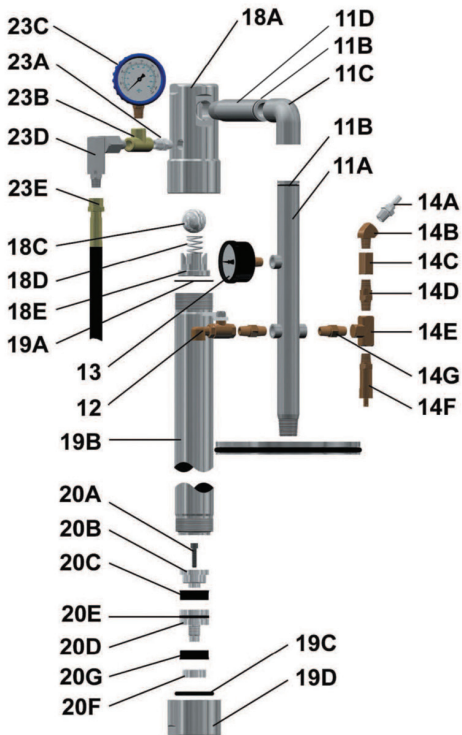


ACTIV-8® PARTS LIST PT2



Illus. #	Description	Order Part #	Qty. Req'd
8G	Swing Bar	R-A8-08D1	1
	Dowel Pin - 1/8" x 1/2"	R-A8-08E	1
8H	Swing Bar Bolt - 5/16"	R-A8-39	1
8I	Washer - 1/2"	R-A8-32	1
8J	Swing Bar Stop Bolt	R-A8-39A	1
9	Loading Plate	R-A8-09	1
9A	Loading Plate O-Ring - Nitrile	R-A8-09A	1
9B	Bonded Seal - 5/16"	R-A8-09D	2
9C	Loading Plate Cap Screws - 5/16" x 1"	R-A8-09C	2
11A	Lower Loading Tube	R-A8-11A	1
11B	Loading Tube O-Rings - Nitrile	R-A8-11B	2
11C	Loading Tube Elbow	R-A8-11C	1
11D	Upper Loading Tube	R-A8-11D	1
12	Vent Valve Assembly	R-A8-12A	1
13	Loading Tube Gauge - 200 PSI	R-A8-13	1
14	Blow Down Assembly	R-A8-14	
14A	Modified Air Nipple	R-A8-14A	1
14B	Elbow - 45 Degree - LP - M x F	R-A8-14B	1
14C	Collar - Low Pressure - F x F	R-A8-14C	1
14D	Check Valve	R-A8-14D	1
14E	Low Pressure Tee	R-A8-14E	1
14F	Relief Valve - 200 PSI	R-A8-14F	1
14G	Low Pressure Nipple - 1/2"	R-A8-14G	1
	Quick Coupler	R-A8-14H	1
	Filter / Lubricator Assembly	R-A8-15	
15A	Air Nipple	R-A8-15A	1
	Air Swivel Elbow	R-A8-15F3	1
	Low Pressure Hose	R-A8-15F4	1
	Elbow - 90 Degree - LP - F x F	R-A8-15F7	2
	Pipe Nipple - LP - 3" - 1/2" NPT	R-A8-15F8	1
	Pipe Nipple - LP - 2" - 1/2" NPT	R-A8-15F9	2
	Pipe Bracket Screws	R-A8-15G	4
	Pipe Bracket Nylock Lock Nuts	R-A8-15G2	4
	Lubricator/Filter Pipe Brackets	R-A8-15G3	2
15H	Large Air Filter Unit	R-A8-15H	1
15J	Large Lubricator - 1/2"	R-A8-15J	1
	Lubricator/Filter Bracket Set	R-A8-15K	1
16A2	Air / Hydraulic Motor - OTC Pump	R-A8-16A2	1
	Bolts for Metal Pump Box	R-A8-31	4
	Washers - 1/2"	R-A8-32	4
17C	OTC Hydraulic Hose	R-A8-17C	1

ACTIV-8® PARTS LIST PT3



Illus. #	Description	Order Part #	Qty. Req'd
17D	Elbow - 90 Degree 1/2" M x 1/4" F	R-A8-17D	1
18	Head Assembly	R-A8-18	
18A	Head - Bare	R-A8-18A	1
18C	Steel Flag Ball for Head - 1-1/4"	R-A8-18C	1
18D	Spring for Head	R-A8-18D	1
18E	Flow Wolf Cage for Head	R-A8-18E	1
	Sealant Barrel Assembly	R-A8-19	
19A	Barrel Gasket	R-A8-19A	1
19B	Sealant Barrel	R-A8-19B	1
19C	Barrel O-Ring - Nitrile	R-A8-19C	1
19D	Barrel End Cap	R-A8-19D	1
	Piston Assembly	R-A8-20	
20A	Piston Screw	R-A8-20A	1
20B	Piston Stop	R-A8-20B	1
20C	Nylon Piston Cup	R-A8-20C	1
20D	Piston Body	R-A8-20D	1
20E	Piston O-Ring	R-A8-20E	1
20F	Piston End Nut	R-A8-20F	1
20G	Leather Piston Cup	R-HG-08H	1
	Head and Barrel Assembly	R-A8-21	
22B	"U" Bolts	R-A8-22B	2
	Washers - 1/2"	R-A8-32	4
	3/8" - "U" Bolt - Nylock Nuts	R-A8-45	4
	High-Pressure Hose Assembly	H-A-HOSE	
23A	Adapter - 1/2" M x 1/4" M	H-AD-4M4M	1
23B	High-Pressure Tee - 1/2" F x 1/4" F	H-T-444	1
23C	HP Gauge Assembly - 15,000 PSI	H-GD-01C	1
23D	"L" Swivel - 1/4" M x 1/2" - 27M	H-SV-L1	1
23E	HP 10 foot Hose - 3/8" - 10,000 PSI	H-HS-120HP	1
23F	Straight Swivel 1/2" M x 1/4" - 27 M	H-SV-ST1	1
23G	Release Valve 1/2" M x 1/4" F	H-RVAB	1
23H	Sealweld® Giant Buttonhead Coupler	H-CPSG-2	1
	Pail Guard	R-A8-24	1
	Pail Guard Wing Nuts - 5/16"	R-A8-48	2
	MINOR REPAIR KIT	R-A8-25	