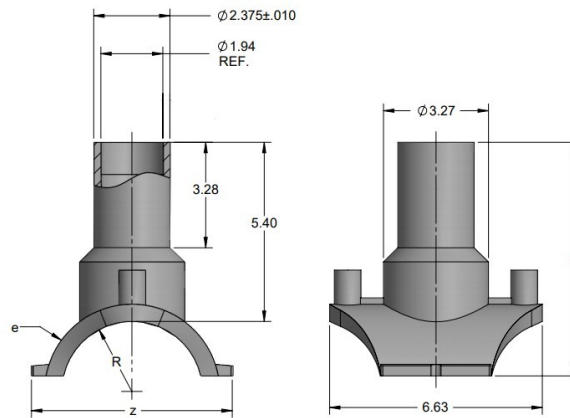


**ELECTROFUSION BRANCH SADDLE: PE2708, IPS x 2" IPS Butt Outlet, DR11, 4.7R Pin Under Clamp**

- Pin Type: 4.7R (4.7 Pin with Resistor)
- Approval: ASTM D2513
- Approval: ASTM F1055
- Approval: ASTM D3261 (Indicated with \*)
- Approval: CSA B137.4.1

Main Size (inch)	GF Code	weight (lb)	D3261	R (inch)	z (inch)	L (inch)	e (inch)	Box Qty
2	<b>360 000 760</b>	0.9	*	1.19	3.59	6.65	0.35	40
3	<b>360 000 764</b>	0.9		1.75	4.60	6.65	0.35	40
4	<b>360 000 766</b>	1.1	*	2.25	6.26	7.27	0.37	30
6	<b>360 000 773</b>	1.2	*	3.31	8.68	8.43	0.38	30



The technical data are not binding. They neither constitute expressly warranted characteristics nor guaranteed properties nor a guaranteed durability. They are subject to modification. Our General Terms of Sale apply.

Georg Fischer Piping Systems Ltd, Postfach, CH-8201 Schaffhausen/Switzerland

Phone +41 -(0)52-631 1111

e-mail: [info.ps@georgfischer.com](mailto:info.ps@georgfischer.com)

Internet: <http://www.gfps.com>