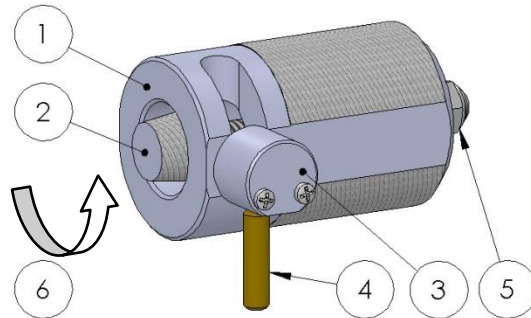


GENERAL GUIDELINES:

- Follow general workplace safety precautions.
- Always clean the pipe prior to peeling. Make sure there is no dirt or any other debris in the pipe section to be peeled.
- Always keep the Pipe Surface Peeler in good working order by cleaning it after each use.
- Store the peeler in a proper manner to prevent damage to the blade and mechanisms to ensure a long lifetime.
- Factors such as dirt can reduce the lifetime of the cutting blade and it may have to be replaced sooner.
- Damage to the tool caused by improper handling/care or dirt contamination is not covered under warranty.

MAIN COMPONENTS:

1. HOUSING
2. MANDREL (SHOWN IN START POSITION)
3. CUTTING BLADE MECHANISM
4. LEVER
5. NUT
6. DIRECTION OF ROTATION



CAUTION! Be aware that the cutting blade is sharp and can cause injury if handled incorrectly!

WARNING! The warnings, cautions, and instructions discussed here cannot cover all possible conditions and situations that may occur. It must be understood by the operator that common sense and caution are factors which cannot be built into this product but must be supplied by the operator.

OPERATING THE TOOL:

<p>1. Ensure the pipe is clean and the mandrel is in the start position. The mandrel can be returned to the start position by turning the nut clockwise to the stop.</p>	<p>2. Place the pipe onto the tapered section of the mandrel and press it firmly in place. Begin turning the peeler slowly and observe the end of the pipe and blade through the slot in the housing.</p>	<p>3. Ensure the left edge of the blade is riding on the end of the pipe. It may be necessary to lift the blade slightly by depressing the lever (see arrow) to obtain proper blade engagement.</p>
<p>4. Once the blade is engaged, turn the peeler. Be sure the pipe shavings don't get between the pipe and peeler.</p>	<p>5. When the peeler stops cutting (producing a shaving) it has reached its internal stop and the operation is complete.</p>	<p>6. Depress the lever to retract the blade to prevent pipe scoring and remove the peeler from the pipe. Return the mandrel to the start position (see Step 1)</p>
<p>7. Before proceeding to electrofusion, inspect the peeled surface to confirm that all oxidation has been removed from that section of the pipe. It is the operator's responsibility to ensure the pipe has been properly cleaned before electrofusion.</p>		



PIPE SURFACE PEELER – MAINTENANCE INSTRUCTIONS

BEFORE EACH USE:

- Check that the cutting blade can move freely in the cap by depressing the brass lever and watching the blade retract.

EVERY 50 PEELS (adjust this interval as needed based on your operating conditions):

- Inspect the cutting edge of the blade for any chips and signs of wear. Replace if necessary.

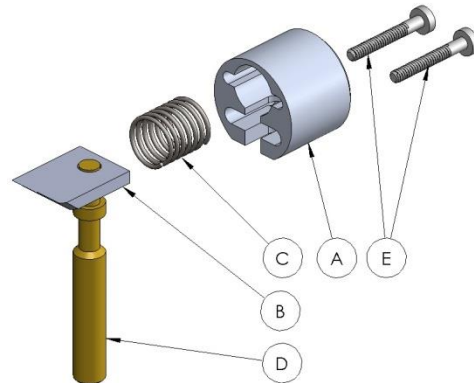
CHANGING THE CUTTING BLADE:



CAUTION! Be aware that the cutting blade is sharp and can cause injury if handled incorrectly!

COMPONENTS - CUTTING BLADE MECHANISM:

- A. CAP
- B. CUTTING BLADE
- C. SPRING
- D. LEVER
- E. SCREWS



1. Begin by removing the two screws (E) to remove the cutting blade mechanism from the Peeler. Be aware that the assembly is under some spring pressure. Make a note of how the blade (B) and lever (D) fit into the cap to help during reassembly.

2. Insert the spring (C) into the cap.	3. Insert the lever (D) into the hole in the blade (B) as shown.	4. Slide the lever and blade into the cap and align both with the appropriate slots in the cap as shown.	5. Insert the screws (E).

6. Mount the entire assembly on the peeler as shown below.

