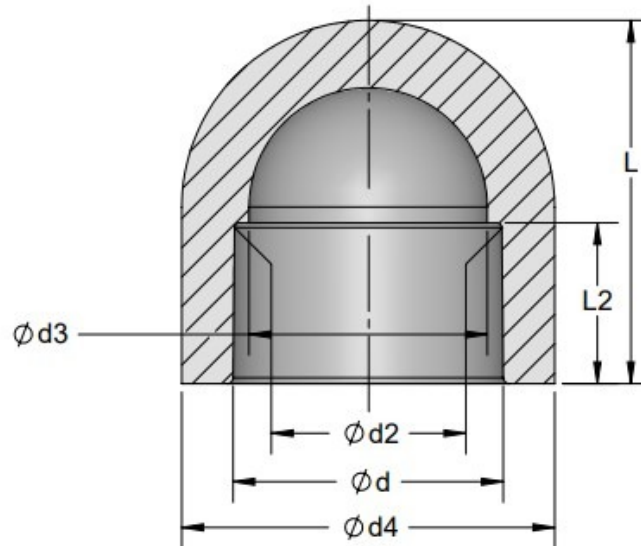


SOCKET FITTINGS END CAPS: PE2708, IPS

- Approval: ASTM D2513
- Approval: ASTM D2683
- Approval: IAPMO
- Approval: CSA B137.4 (Indicated with *)

Main Size (inch)	GF Code	weight (lb)	CSA	d (inch)	d2 (inch)	d3 (inch)	d4 (inch)	L (inch)	L2 (inch)	Box Qty
0.5	360 002 114	0.0	*	0.81	1.01	0.71	1.23	1.37	0.66	100
0.75	360 002 116	0.0	*	1.02	1.07	0.92	1.45	1.56	0.74	100
1	360 002 119	0.1	*	1.27	1.27	1.15	1.84	1.78	0.78	100
1.25	360 002 121	0.2	*	1.62	1.61	1.48	2.29	2.23	0.98	100
1.5	360 002 123	0.2	*	1.86	1.85	1.63	2.55	2.00	0.98	100
2	360 002 125	0.3	*	2.34	2.32	2.20	3.28	2.23	1.00	100
3	360 002 127	1.1	*	3.46	3.44	3.21	5.05	3.05	1.19	10
4	360 002 128	2.3	*	4.45	4.43	4.15	6.46	3.97	1.32	10



The technical data are not binding. They neither constitute expressly warranted characteristics nor guaranteed properties nor a guaranteed durability. They are subject to modification. Our General Terms of Sale apply.

Georg Fischer Piping Systems Ltd, Postfach, CH-8201 Schaffhausen/Switzerland

Phone +41 -(0)52-631 1111

e-mail: info.ps@georgfischer.com

Internet: <http://www.gfps.com>