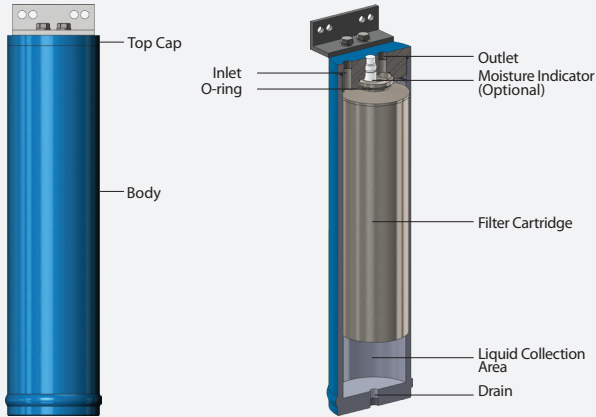




## WELKER FILTER DRYER F-4 & F-5

The Welker Filter Dryer is designed to filter and dry natural gas to prepare it for use as an instrument supply.



### Installation and Operation

- As necessary, mount the filter dryer vertically to the desired location.
- As necessary, plug or install a valve to the drain port (Figure 1).
- As necessary, connect from the drain valve to a safe drainage location.
- Using customer-supplied tubing, connect from the pneumatic supply source to the inlet of the filter dryer (Figure 2).
- Using customer-supplied tubing, connect from the outlet of the filter dryer to the instrument to be supplied with the filtered natural gas or instrument air (Figure 2).
- Slowly open the outlet valve on the pneumatic supply source. Check for leaks and repair as necessary.
- If a valve is installed between the filter dryer and the instrument to be supplied with the filtered natural gas, open that valve to allow the pneumatic supply to reach the instrument.
- The filter dryer is now operational.

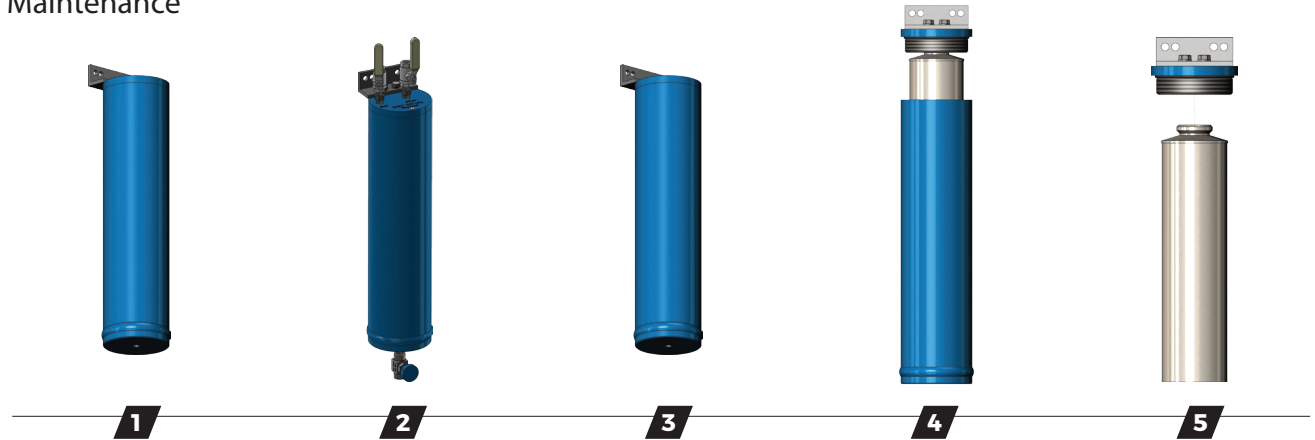
PLEASE REPLACE CARTRIDGE BY:

\_\_\_\_ / \_\_\_\_

For installation, operation, and maintenance inquiries, please contact our Service department:

281.207.1879

### Maintenance



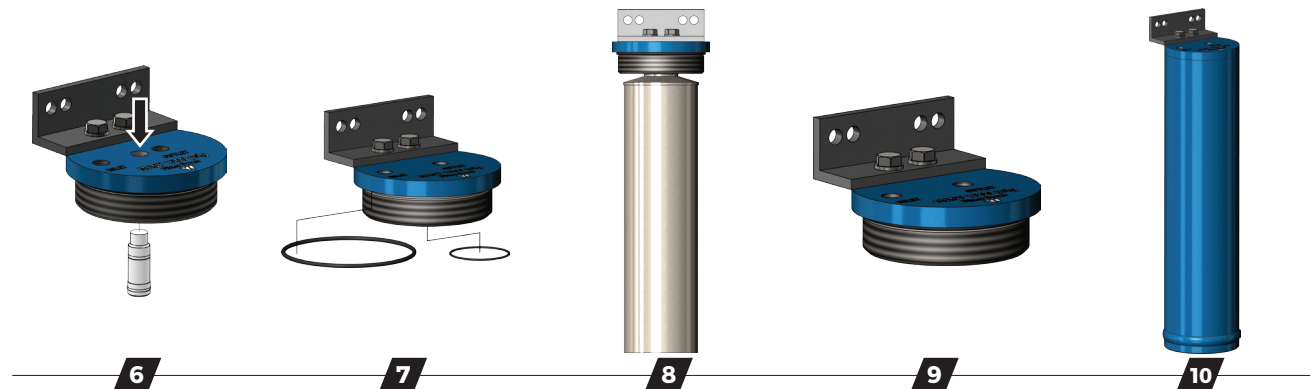
Determine how quickly condensation or free liquids accumulate in the filter dryer by frequently draining the Filter dryer.

Isolate the filter dryer. If the filter dryer is not equipped with the optional bypass, close the outlet valve on the pneumatic supply source and shut down any instrumentation connected to the filter dryer. If the filter dryer is equipped with the optional bypass, open the bypass valve, and then close the inlet and outlet valves on the filter dryer.

Drain the filter dryer to vent any pressure remaining in the body.

Unscrew the body from the top cap.

Unscrew the filter cartridge from the top cap.



If the filter dryer is equipped with the optional moisture indicator and the moisture indicator has changed from blue to pink, the moisture indicator needs to be replaced. From the top of the top cap, push the moisture indicator out. Install a new moisture indicator with a new O-ring in its place.

If necessary, replace the O-rings in the top cap.

Install the replacement filter cartridge to the top cap.

Apply a small amount of anti-galling compound or thread lubricant to the top cap threads.

Fully screw the body onto the top cap.

For full instructions,  
please view **IOM-046** or **IOM-169**.



F-4  
IOM-046



F-5  
IOM-169