

HYDRAULIC HAND-HELD PUMP PARTS LIST

Sealweld®

A CMC MATERIALS COMPANY

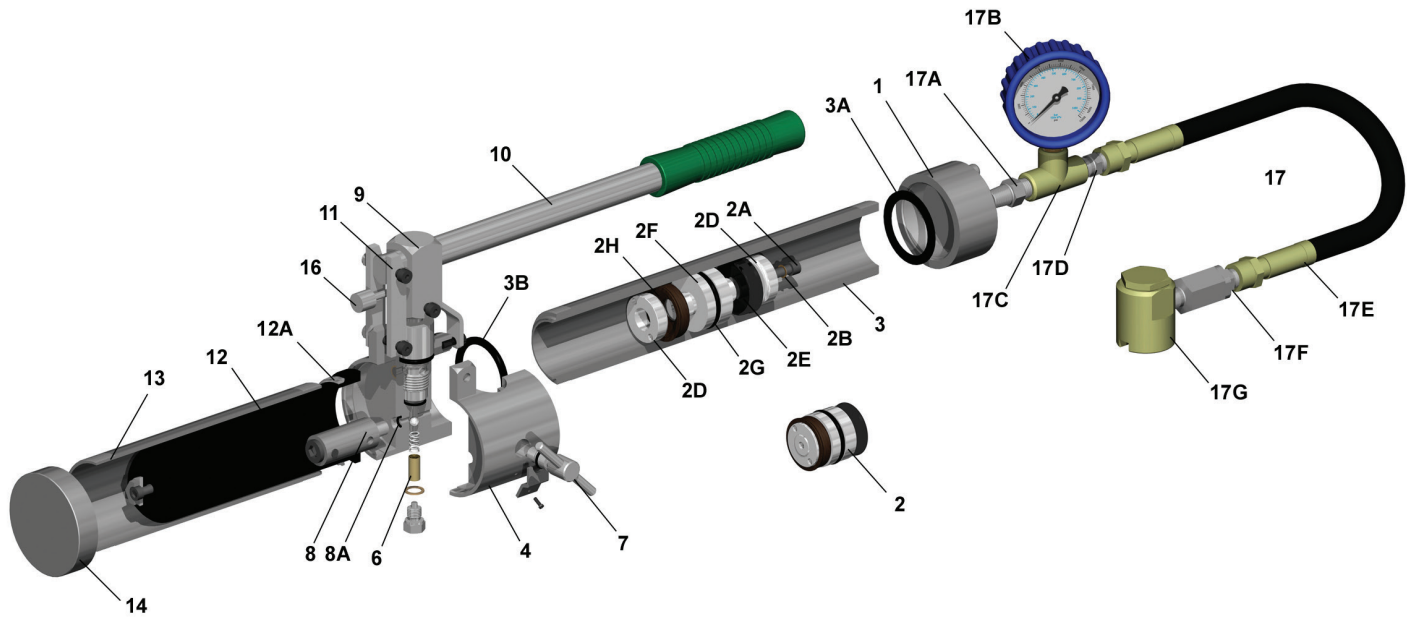


Illustration #	Description	Order Part #	Qty. Req'd
1	Sealant Barrel Cap	R-HG-07	1
2	Piston Assembly	R-HG-08	1
2A	Cap Screw	R-HG-08A	1
2B	Copper Washer	R-HG-08BA	1
2D	Washer Nut	R-HG-08C	2
2E XX	Nylon Piston Cup	R-A8-20C	1
2F	Piston Body	R-HG-08E	1
2G X	Piston O-Ring	R-A8-20E	1
2H XX	Inner Leather Cup	R-HG-08H	1
3	Sealant Barrel	R-HG-09	1
3A XX	Barrel Gasket	R-HG-10A	1
3B X	Barrel O-Ring - Nitrile	R-A8-19C	1
4	Pump Body Assembly	R-HG-11	1
4A	Pump Body - Bare	R-HG-11A	1
5 XXX	Hydraulic Pump Cylinder	R-HG-11B	1
5A X	Cylinder Neck O-Ring - Nitrile	R-HG-11C	1
5B X	Bottom Cylinder O-Ring - Nitrile	R-HG-11D	1
5C XXX	Pump Piston	R-HG-11E	1
5D X	Pump Piston O-Ring	R-HG-08B	1
6 XX	Check Valve Assembly	R-HG-11F	1
6A	Copper Washer	R-HG-11FA	1
6B	Ball - 1/2"	R-HG-11FB	1
6C	Check Valve Spring	R-HG-11FC	1
6D	Check Valve Screw	R-HG-11FD	1
6E	Check Valve Screen	R-HG-11FE	1
7 XX	By-Pass Valve	R-HG-11G	1
7A	By-Pass Valve Stop	R-HG-11H	1
7B	Cap Screw	R-HG-11I	1
7C X	By-Pass Valve O-Ring - Nitrile	R-HG-31	1
8	Hydraulic Relief Valve	R-HG-11J	1
8A X	Hydraulic Relief O-Ring - Nitrile	R-HG-11K	1
9	Fulcrum Assembly	R-HG-12	1
10	Handle	R-HG-13	1
11	Linkage Assembly	R-HG-14	1



HYDRAULIC HAND-HELD PUMP PARTS LIST

(continued)

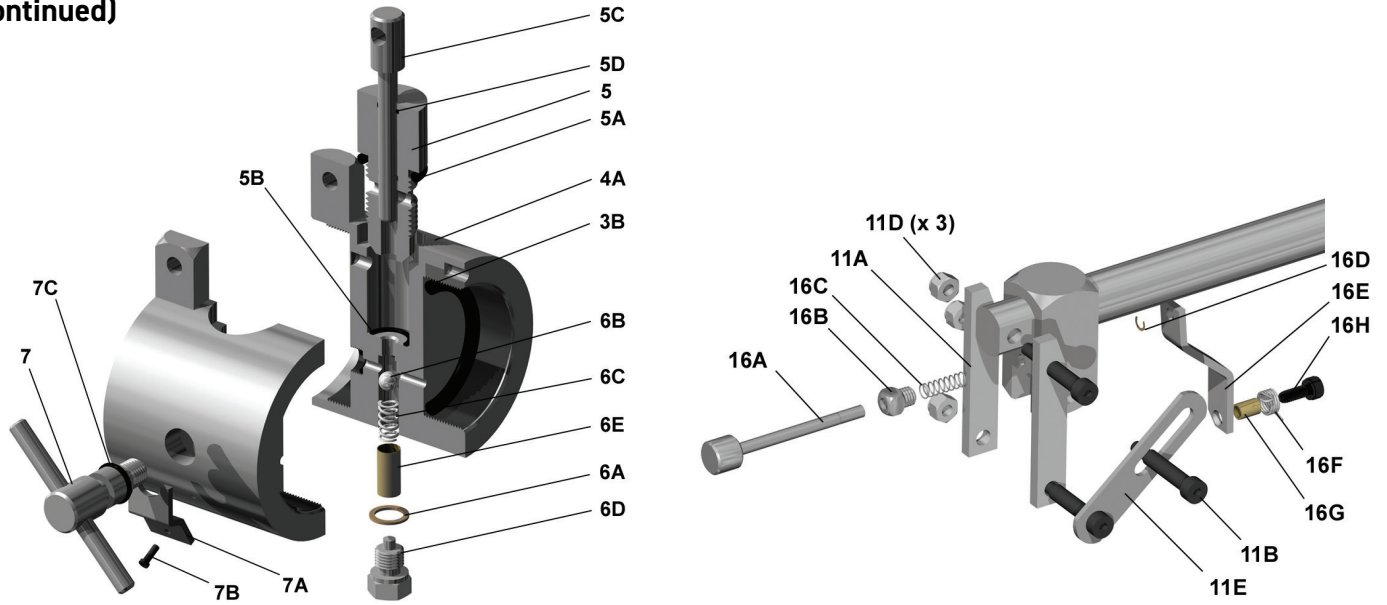


Illustration #	Description	Order Part #	Qty. Req'd
11A	Link	R-HG-14A	2
11B	Bolts	R-HG-14B	3
11D	Lock Nuts	R-HG-14C	3
11E	Fulcrum Link	R-HG-14E	1
XX	Hydraulic Fluid	R-HOPINT	1
12 XX	Fluid Bag	R-HG-15	1
12A	Fluid Bag Seal Ring	R-HG-15A	1
13	Fluid Bag Barrel	R-HG-16	1
14	Fluid Bag Barrel Cap	R-HG-17	1
16	Handle Latch Assembly	R-HG-30	1
16A	Stem & Knob	R-HG-30A	1
16B	Latch Screw	R-HG-30B	1
16C	Stem Spring	R-HG-30C	1
16D	Retainer	R-HG-30D	1
16E	Latch Arm	R-HG-30E	1
16F	Latch Spring	R-HG-30F	1
16G	Latch Sleeve	R-HG-30G	1
16H	Cap Screw	R-HG-30H	1
17	Hydraulic Pump Hose Assembly	H-H-HOSE	1
17A	Adapter - 1/4" M X 1/4" M	H-AD-4M4M	1
17B	15,000 PSI Gauge with Guard	H-GD-01C	1
17C	High-Pressure TEE - 1/4"	H-T-444	1
17D	Adapter - 1/4" M x 1/2" - 27 M	H-AD-4M7M	1
17E	Extra High-Pressure Hose - 18"	H-HS-18XHP	1
17F	Straight Swivel 1/4" M X 1/2"-27M	H-SV-ST1	1
17G	Giant Buttonhead Coupler	H-CPSG-2	1
X	O-Ring Repair Kit	R-HG-OREP	1
XX	Minor Repair Kit	R-HG-MIN	1
XXX	Major Repair Kit	R-HG-MAJ	1

Please note:
 X includes all parts with a single X illustration number.
 XX includes all parts with a single X AND all parts with a double X illustration number.
 XXX includes all parts with a single X, double X and triple X illustration number.

