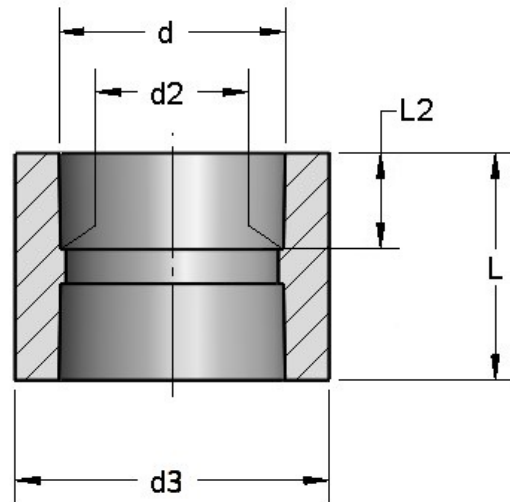


SOCKET FITTINGS COUPLINGS: PE2708, CTS

- Meets ASTM D2513
- Approval: ASTM D2683
- Certified to CSA B137.4
- Approval: IAPMO (indicated with *)

Main Size (inch)	GF Code	weight (lb)	IAPMO	d (inch)	d2 (inch)	d4 (inch)	L (inch)	L2 (inch)	Box Qty
0.5	360 002 130	0.1		0.59	0.57	1.08	2.19	0.98	100
1	360 002 136	0.1	*	1.08	1.07	1.47	2.20	0.98	100



The technical data are not binding. They neither constitute expressly warranted characteristics nor guaranteed properties nor a guaranteed durability. They are subject to modification. Our General Terms of Sale apply.

Georg Fischer Piping Systems Ltd, Postfach, CH-8201 Schaffhausen/Switzerland Phone +41 -(0)52-631 1111 e-mail: info.ps@georgfischer.com Internet: <http://www.gfps.com>