



s.132 NPT stainless steel

1/4" - 2"
2000 PSI



Quality

- Dual sealing system allows valve to be operated in either direction making installation easier
- Handle clearly shows ball position
- Silicone-free lubricant on all seals
- Test standard API 598
- NACE compliance MR-01-75
- Handle stops on body to avoid stresses at stem

Body

- CF8M stainless steel body and cap
- Design specification ANSI B16.34 CLASS 900

Stem

- Blowout-proof stainless steel stem

Sealing

- Molecular enhanced-PTFE (ME-PTFE) seats consist in virgin PTFE (no glass or carbon fillers are used) which, due to its improved molecular structure, surpass the mechanical properties of conventional filled PTFE materials. Used in fluid sealing applications it provides superior performance in terms of high temperature strength, reduced creep distortion, and resistance to chemical attack.

Threads

- NPT taper ANSI B.1.20.1 female by female threads

Flow

- 100% full port for maximum flow

Handle

- Plastic coated stainless steel lockable handle. Handle coating offers both thermal and electrical protection
- **WARNING:** do not exceed reasonable temperature and/or electrical load

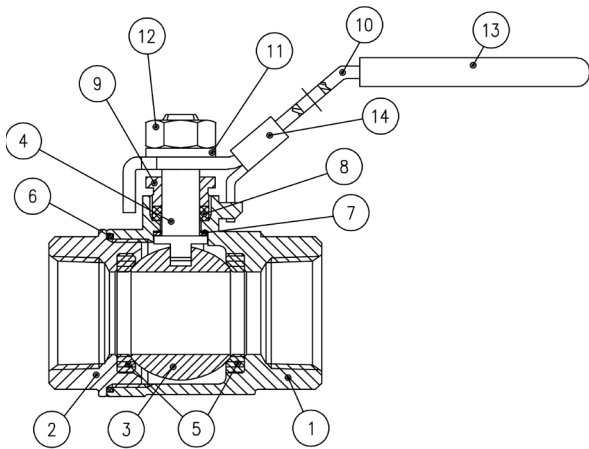
Working pressure & temperature

- 2000 PSI from 1/4" up to 1", 1500 PSI from 1 1/4" up to 2" non-shock cold working pressure
- 150 PSI WSP steam rating
- 2×10^{-2} torr vacuum rating
- *150 psig non-shock working steam pressure. Not suitable for throttling steam.
- -50°F to +475°F
- **WARNING:** freezing of the fluid in the installation may severely damage the valve

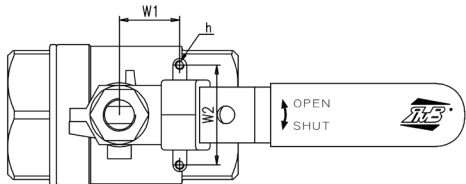
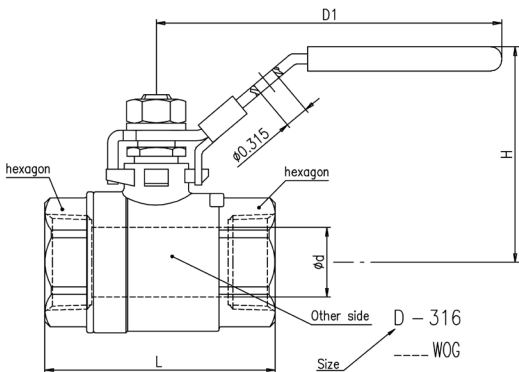
Approved by or in compliance with

- GOST-R (Russia)

NOTE: approvals apply to specific configurations/sizes only.



Part description	Q.ty	Material
1 Body	1	A351-CF8M
2 Cap	1	A351-CF8M
3 Ball	1	A351-CF8M
4 Stem	1	A276 Gr. 316
5 Seat	2	ME-PTFE*
6 Gasket	1	ME-PTFE*
7 Thrust washer	1	ME-PTFE*
8 Packing	1	ME-PTFE*
9 Gland	1	A194 Gr.8
10 Lockable handle	1	A240 SS304
11 Lock washer	1	A493 SS304f
12 Handle nut	1	A194 Gr.8
13 Handle sleeve	1	Vinyl grip
14 Locking plate	1	A240 SS304

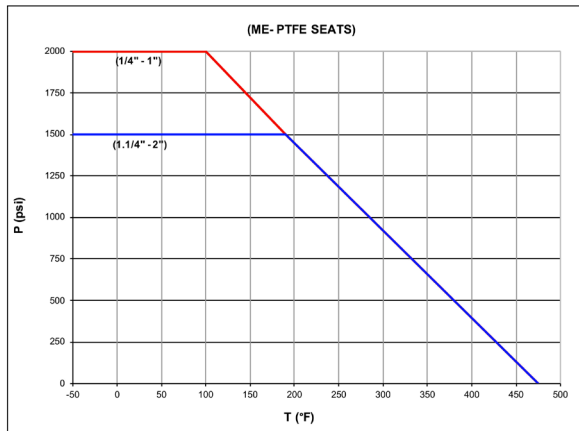


Code	132B41	132C41	132D41	132E41	132F41	132G41	132H41	132I41
D (Size)	1/4"	3/8"	1/2"	3/4"	1"	1 1/4"	1 1/2"	2"
d (inch)	0.433	0.492	0.591	0.787	0.984	1.26	1.575	2
L (inch)	2.343	2.343	2.539	3.031	3.563	3.917	4.646	5.374
H (inch)	2.244	2.244	2.268	2.697	2.862	3.453	3.661	4.106
D1 (inch)	4.055	4.055	4.055	5	5	6.124	6.124	7.598
W1 (inch)	0.5	0.5	0.5	0.882	0.882	1	1	1
W2 (inch)	1.122	1.122	1.122	1.378	1.378	1.5	1.5	1.5
h	M5x0.8	M5x0.8	M5x0.8	M6x1	M6x1	M6x1	M6x1	M6x1
---WOG	2000	2000	2000	2000	2000	1500	1500	1500
Cv (GPM)	12	16	23	40	62	101	160	258

Water flow ratings

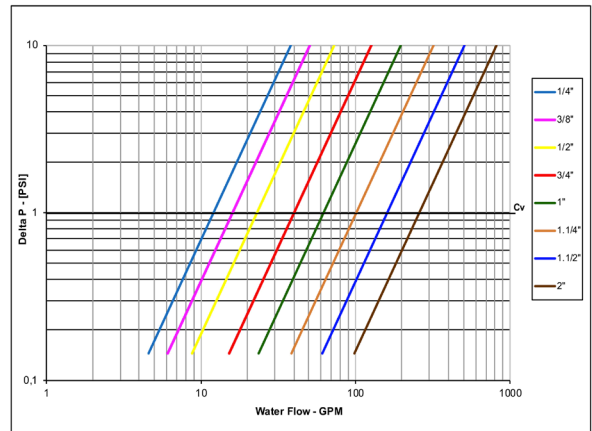
Size	1/4"	3/8"	1/2"	3/4"	1"	1 1/4"	1 1/2"	2"
CV	12	16	23	40	62	101	160	258

Pressure-temperature chart



*ME-PTFE is molecular enhanced PTFE

Pressure drop chart



WARNING: This product can expose you to chemicals including lead which is known to the state of California to cause cancer and birth defects or other reproductive harm. For more information go to www.P65Warnings.ca.gov