

# Bison Curb Boxes

## HEAVY DUTY BLOW MOLDED PLASTIC

- Cast Iron Rim and Lid suitable
- Cast Iron rim permanently bonded to ABS top section
- Thick-Walled ABS Plastic
- Significantly lighter than cast iron
- 2.5" Inside Diameter
- White interior increases visibility
- Screw type Adjustment

## LIGHTWEIGHT

- Weighs less than 25% of an all cast iron curb box

Extension Range	Bison Box	Weight	Cast Iron	Weight
31-46	P02ZHC3146W	6.9	93-D	31.9
33-52	P02ZHC3352W	7.3	93-E	35.4
39-58	P02ZHC3958W	7.8	94-E	41.9
39-64	P02ZHC3964W	8.3	94-F	48.4
49-76	P02ZHC4976W	9.1	94-F & 151 Ext	54.4
55-82	P02ZHC5582W	9.6	94-F & 152 Ext	56.4



## STANDARD & CUSTOM ASSEMBLIES

- Easily assembles with cast iron or other plastic components
- Can be used with full cast iron top section and Bison ABS plastic bottom section
- Cast Iron Lids and Rims allow for easy magnetic location
- Standard bottom sections and assemblies have 001 bell



# MATERIAL SPECIFICATIONS

# BISON ASSEMBLIES



Acrylonitrile-Butadiene-Styrene (ABS) Plastic Properties	ASTM Test Method	Minimum Values
Tensile Strength	D-638	5,100 psi
Flexural Strength	D-790	8,000 psi
Flexural Modulus	D-790	230,000 psi
Impact Strength Izod	D-256	3.5 - 6.3 ft-lbs/in
Deflection Temp @ 264 psi	D-648	169 F
Specific Gravity	D-792	1.04

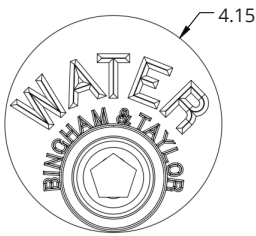
\*Cast Iron is ASTM 48A Class 30

Lid	Ext. Range	Item #
Water	21-28	P02ZHC2128W
Water	25-34	P02ZHC2534W
Water	27-40	P02ZHC2740W
Water	31-46	P02ZHC3146W
Water	33-52	P02ZHC3352W
Water	39-58	P02ZHC3958W
Water	39-64	P02ZHC3964W
Water	49-76	P02ZHC4976W
Water	55-82	P02ZHC5582W

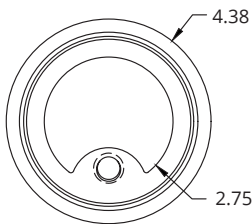
All standard assemblies come with or without a water lid.

Lid options available. Contact us about custom assemblies.

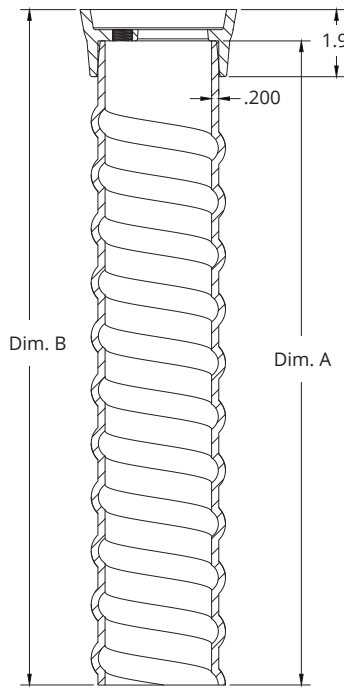
## BISON COMPONENTS



Cast Iron Water Lid - I2LBWNS

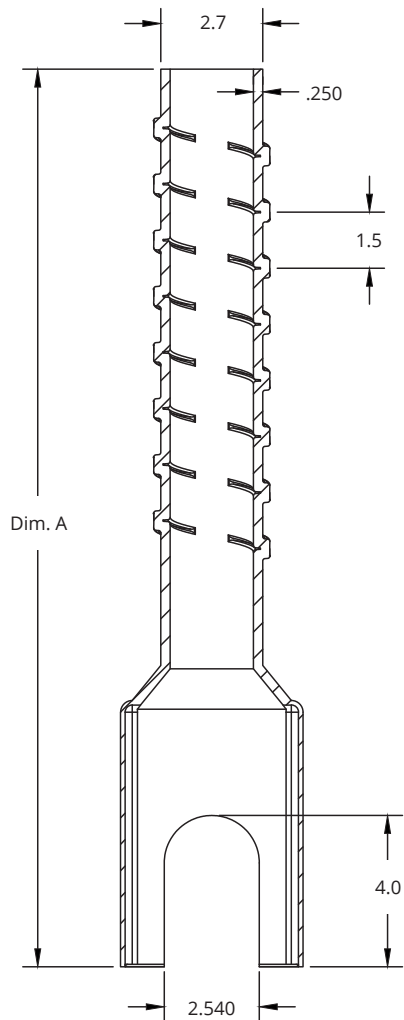


Cast Iron Rim - CUL2RH200R



Top Section w/ Rim

Dim. A	Dim. B	Item #
12	12.9	P02PTH12
18	18.9	P02PTH18
24	24.9	P02PTH24
30	30.9	P02PTH30



Bottom Section

Dim. A	Item #
18	P02BHC18
24	P02BHC24
30	P02BHC30
36	P02BHC36
42	P02BHC42
48	P02BHC48
54	P02BHC54

\*All measurements are in inches



**CONTACT**

540-825-8334  
[sales@bandt-us.com](mailto:sales@bandt-us.com)  
[bandt-us.com](http://bandt-us.com)