

# FLWSIC600-XT

## Ultrasonic Gas Flow Meter

Installation  
Operation  
Maintenance



## Document Information

---

### Described Product

Product name: FLOWSIC600-XT

### Document ID

Title: Operating Instructions FLOWSIC600-XT  
Part No.: 8018846/1BHP  
Document ID: 9233168  
Version: 2-1  
Release: 2021-05

### Manufacturer

SICK Engineering GmbH  
Bergener Ring 27 · D-01458 Ottendorf-Okrilla · Germany  
Phone: +49 35205 52410  
Fax: +49 35205 52450  
E-mail: info.pa@sick.de

### Original Documents

The English version 8018846/1BHP of this document is an original document from SICK Engineering GmbH.  
SICK Engineering GmbH assumes no liability for the correctness of an unauthorized translation.  
Please contact SICK Engineering GmbH or your local representative in case of doubt.

### Legal Information

Subject to change without notice.

© SICK Engineering GmbH. All rights reserved.

## Glossary

---

<b>ATEX</b>	ATEX: Atmosphères Explosifs: Abbreviation for European standards that govern safety in potentially explosive atmospheres
<b>CSA</b>	Canadian Standards Association ( <a href="http://www.csa.ca">www.csa.ca</a> )
<b>DC</b>	Direct Current
<b>EVC</b>	Electronic Volume Corrector (
<b>HF</b>	High frequency, e.g. HF pulse
<b>IEC</b>	International Electrotechnical Commission
<b>IECEX</b>	IEC system for certification in accordance with standards for devices for use in potentially explosive atmospheres
<b>IPxy</b>	Ingress Protection: Degree of protection of a device in accordance with IEC/DIN EN 60529; x specifies the protection against contact and impurities, y protection against moisture.
<b>NAMUR</b>	Abbreviation for "Normen-Arbeitsgemeinschaft für Mess- und Regeltechnik in der chemischen Industrie", now "Interessengemeinschaft Automatisierungstechnik der Prozessindustrie" ( <a href="http://www.namur.de">www.namur.de</a> )
<b>pTZ</b>	Volume conversions as function of the pressure, temperature and under consideration of the real gas factor
<b>RTC</b>	Real time clock

## Warning Symbols

---



IMMEDIATE HAZARD  
of severe injuries or death



Hazard (general)



Hazard by voltage



Hazard in potentially explosive atmospheres



Hazard by explosive substances/mixtures



Hazard by unhealthy substances



Hazard by toxic substances

## Warning Levels / Signal Words

---

### DANGER

Risk or hazardous situation which *will* result in severe personal injury or death.

### WARNING

Risk or hazardous situation which *could* result in severe personal injury or death.

### CAUTION

Hazard or unsafe practice which *could* result in less severe or minor injuries.

### NOTICE

Hazard which could result in property damage.

## Information symbols

---



Information on product condition with regard to protection against explosions (general)



Information on product characteristics related to European Directive ATEX



Information on product characteristics related to explosion protection in accordance with the IECEx scheme.



Important technical information for this product



Important information on electric or electronic functions



Nice to know



Supplementary information



Link referring to information at another place

<b>1</b>	<b>Important information</b>	<b>9</b>
1.1	About this document	10
1.2	Important safety information	10
1.2.1	Hazards due to hot, corrosive and explosive gases, or high pressure	10
1.2.2	Hazard through heavy loads	10
1.2.3	Hazard through electromagnetic interference	11
1.3	Intended use	11
1.3.1	Product identification	11
1.3.2	Purpose of the device	11
1.3.3	Operation in potentially explosive atmospheres	12
1.3.4	Operation in pressure applications	12
1.3.5	Restrictions of use	12
1.4	Responsibility of user	13
1.4.1	Designated users	13
1.4.2	Correct use	14
1.4.3	Danger identification on device	14
1.4.4	Special local conditions	14
1.4.5	Retention of documents	14
<b>2</b>	<b>Product description</b>	<b>15</b>
2.1	Measuring principle	16
2.2	System components	16
2.2.1	Meter body	17
2.2.2	Ultrasonic transducers	17
2.2.3	Signal Processing Unit	17
2.2.4	Integrated pressure and temperature sensor - geometry correction via pressure and temperature	17
2.2.4.1	Correction in FLOWSIC600-XT electronics	18
2.2.4.2	Correction outside the FLOWSIC600-XT electronics (volume converter)	18
2.3	Features and applications	20
2.3.1	FLOWSIC600-XT	20
2.3.2	FLOWSIC600-XT 2plex	20
2.3.3	FLOWSIC600-XT Quatro	21
2.3.4	FLOWSIC600-XT Forte	21
2.3.5	FLOWSIC600-XT C	22
2.3.6	FLOWSIC600-XT Gateway	22
2.4	Operating software FLOWgate™	23
2.4.1	Overview	23
2.4.2	System requirements	24
2.4.3	Access rights	24
2.5	Operating modes, meter states and signal output	25
2.5.1	Measuring mode	25
2.5.2	Air test mode	25
2.5.3	Configuration mode	25

2.6	Interfaces .....	26
2.6.1	Analog outputs .....	26
2.6.2	Digital outputs .....	26
2.6.3	Encoder totalizer .....	28
2.6.4	Serial data interfaces .....	29
2.6.5	Optical data interface .....	29
2.7	Totalizers .....	29
2.8	Diagnostics function i-diagnostics™ .....	29
2.8.1	Fingerprint System .....	30
2.9	Data processing in FLOWSIC600-XT .....	32
2.9.1	Logbooks .....	32
2.9.2	Archives .....	33
2.9.3	Protection of parameters from undesired changes .....	34
2.10	Sealing .....	35
2.11	PowerIn Technology™ .....	37
<b>3</b>	<b>Installation .....</b>	<b>39</b>
3.1	Hazards during installation .....	40
3.2	General information .....	41
3.2.1	Delivery .....	41
3.2.2	Transport .....	41
3.2.3	Water pressure test in the plant (optional) .....	41
3.3	Mechanical installation .....	42
3.3.1	Preparations .....	42
3.3.2	Choosing flanges, seals and other components .....	42
3.3.3	Requirements to the measuring point .....	42
3.3.4	Fitting in the pipeline .....	43
3.3.4.1	Installation configurations .....	45
3.3.4.2	Fitting the FLOWSIC600-XT in the pipeline .....	54
3.3.5	Signal Processing Unit alignment .....	56
3.4	Electrical installation .....	57
3.4.1	Requirements for use in potentially explosive atmospheres .....	57
3.4.2	General connection of the FLOWSIC600-XT .....	63
3.4.3	Criteria for electrical connection .....	64
3.4.4	Electrical connections .....	64
3.4.5	Available input/output configurations .....	67
3.4.6	Cable specifications .....	68
3.4.7	Checking the cable loops .....	69
3.4.8	Connection parameters of inputs and outputs .....	70
3.4.8.1	Safety-relevant parameters Ex-i .....	70
3.4.8.2	Connection parameters Ex-d and Ex-e .....	71
3.4.8.3	Ex-d terminal compartment .....	72
3.4.8.4	Ex-e terminal compartment .....	74
3.4.8.5	Ex-i terminal compartment .....	76
3.4.9	Connecting the optional backup battery .....	76
3.4.10	Connecting external pressure and temperature sensors to the electronics .....	77

<b>4</b>	<b>Commissioning and Operation</b> .....	<b>79</b>
4.1	General information .....	80
4.2	Parameter display on the display .....	81
4.2.1	Opening the display protective flap .....	81
4.2.2	Display and operating elements .....	82
4.2.3	Display in the symbol bar .....	82
4.2.4	Configurable standard display .....	83
4.2.5	Menu structure .....	85
4.3	Commissioning with the FLOWgate™ operating software .....	86
4.3.1	Connecting to the device .....	86
4.3.2	Field setup wizard .....	87
4.3.2.1	Device identification .....	87
4.3.2.2	System/User .....	88
4.3.2.3	I/O configuration .....	89
4.3.2.4	P + T pressure and temperature sensor .....	90
4.3.2.5	Volume converters (optional, only for devices with the volume conversion device option) .....	90
4.3.2.6	Archives/Logbooks .....	90
4.3.2.7	Diagnostics/warnings .....	90
4.3.2.8	Meter installation .....	91
4.3.2.9	Completion .....	91
4.4	Function check after commissioning .....	91
4.4.1	Recommended checks: .....	91
4.4.2	Checking the signal acceptance rate .....	92
4.4.3	Zero phase check .....	92
4.4.4	Checking the speed of sound .....	93
4.4.5	Path failure compensation .....	94
4.5	Sealing .....	94
<b>5</b>	<b>Maintenance</b> .....	<b>95</b>
5.1	General information .....	96
5.2	Routine checks .....	96
5.2.1	Checking the meter state .....	96
5.2.1.1	Function check on the display .....	96
5.2.1.2	Function check with FLOWgate™ .....	97
5.2.2	Comparing theoretical and measured sound velocity (SOS) .....	98
5.2.3	Time synchronization .....	100
5.2.3.1	Time synchronization via Modbus .....	100
5.2.3.2	Time synchronization with the FLOWgate™ operating software .....	100
5.2.3.3	Service life/capacity of RTC battery .....	100
5.2.4	Maintenance report .....	101
5.2.5	Optional data backup .....	102
5.2.5.1	Logbook check and data backup .....	102
5.2.5.2	Checking the data archives (data logs) .....	103
5.2.6	Creating and evaluating the Diagnostics Comparison report .....	103

5.3	Exchanging the battery .....	105
5.3.1	Battery types .....	105
5.3.2	Information on handling lithium batteries .....	105
5.3.2.1	Information on storage and transport .....	105
5.3.2.2	Disposal information .....	105
5.3.3	Replacing the backup battery .....	107
5.3.3.1	Swivel the display unit downwards .....	107
5.3.3.2	Remove the backup battery .....	108
5.3.3.3	Insert the new backup battery .....	108
5.3.3.4	Swivel the display unit upwards and lock .....	109
5.3.4	Replacing the RTC battery .....	109
5.4	Cleaning the FLOWSIC600-XT .....	111
<b>6</b>	<b>Shutting down .....</b>	<b>113</b>
6.1	Returning .....	114
6.1.1	Contact .....	114
6.1.2	Packing .....	114
6.2	Disposal information .....	114
6.2.1	Materials .....	114
6.2.2	Disposal .....	114
<b>7</b>	<b>Troubleshooting .....</b>	<b>115</b>
7.1	Status messages .....	116
7.2	Starting a diagnostic session .....	117
<b>8</b>	<b>Specifications .....</b>	<b>119</b>
8.1	Conformities .....	120
8.1.1	CE certificate .....	120
8.1.2	Standards compatibility and type approval .....	120
8.1.3	WELMEC conformity .....	120
8.2	Technical data .....	121
8.3	Measuring ranges .....	124
8.4	Dimensions .....	126
<b>9</b>	<b>Annex .....</b>	<b>131</b>
9.1	Connection diagrams for operation of the FLOWSIC600-XT in accordance with ATEX/IECEX .....	132
9.2	Connection diagrams for operation of the FLOWSIC600-XT in accordance with CSA .....	141
9.3	Wiring examples .....	150
9.3.1	Ex-d (flameproof enclosure) .....	150
9.3.2	Ex-e (increased type of protection) .....	153
9.3.3	Ex-i (intrinsically safe) .....	156
9.4	Power input of the possible input and output configurations .....	158
9.5	Type plates (examples) .....	159
9.6	Model name .....	161
9.7	Spare parts .....	162





# FLWSIC600-XT

## 1 Important information

About this document  
Important safety information  
Intended use  
Responsibility of user

## 1.1 About this document

These Operating Instructions describe the FLOWSIC600-XT measuring system. They provide general information on the measuring method employed, design and function of the entire system and its components, as well as on installation, commissioning, maintenance and troubleshooting.

These Operating Instructions cover standard applications which conform with the technical data specified. Additional information and assistance for special applications are available from your SICK representative. It is generally recommended to take advantage of qualified consulting services provided by SICK experts for your specific application.

## 1.2 Important safety information

### 1.2.1 Hazards due to hot, corrosive and explosive gases, or high pressure

The FLOWSIC600-XT is fitted directly in the gas-carrying line.

The plant operator is responsible for safe operation and for complying with additional national and company-specific regulations.



#### **WARNING: Hazards through the gas in the system**

The following conditions can increase the risk:

- Toxic gas or gas dangerous to health
  - Chemically aggressive gas
  - Explosive gas
  - High gas pressure
  - High gas temperature
- ▶ In installations with an increased risk, the FLOWSIC600-XT may only be fitted and removed when the line is vented or when the installation is at a standstill.
  - ▶ The same applies to repair and service work which involves opening the measuring duct or the explosion-proof Signal Processing Unit.

Otherwise health or injury risks can possibly arise through escaping gas (e.g. poisoning, burns).



#### **WARNING: Hazards through leaks**

Operation in leaky condition is not allowed and potentially dangerous.

- ▶ Regularly check leak tightness of equipment.

### 1.2.2 Hazard through heavy loads

The FLOWSIC600-XT measuring system must be attached securely to the carrying structure when being transported and installed.


- ▶ Only use lifting gear and equipment (e.g. lifting straps) suitable for the weight to be lifted. Maximum load information can be found on the type plate of the lifting gear.



#### **NOTICE:**

The lifting lugs are designed for transporting the meter only. Do not lift or transport the FLOWSIC600-XT with additional loads using these lugs.

1.2.3 **Hazard through electromagnetic interference**

	<p><b>NOTICE:</b>                  Measuring system FLOWSIC600-XT is a Group 1, Class A device in accordance with EN55011:2009. It is intended for operation in an industrial environment. In other environments, especially in living areas, it could possibly be difficult to ensure electromagnetic compatibility due to the occurring conducted as well as radiated interferences. In this case, the plant operator may be required to take appropriate measures.</p>
---	---

1.3 **Intended use**

1.3.1 **Product identification**

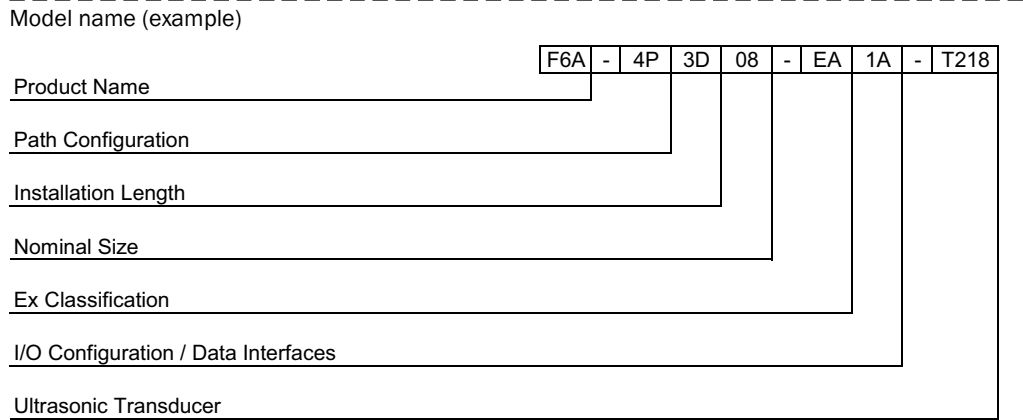
Product name:	FLOWSIC600-XT
Manufacturer:	SICK Engineering GmbH Bergener Ring 27 D-01458 Ottendorf-Okrilla Germany

See the main type plate on the Signal Processing Unit for information for the identification of your FLOWSIC600-XT.

**Model name**

The model names on the type plates identify the various device versions:

Fig. 1



► Detailed description of the model name, see → p. 161, §9.6.

1.3.2 **Purpose of the device**

The FLOWSIC600-XT measuring system is used for measuring the actual volumetric flow rate of gases transported in pipelines. Apart from that, the FLOWSIC600-XT can also determine the actual corrected volume and the sound velocity. Separate meters are available to determine the gas volume depending on the flow direction.

Subject to change without notice

### 1.3.3 Operation in potentially explosive atmospheres

The FLOWSIC600-XT is suitable for use in potentially explosive atmospheres:

#### IECEX

Ex db ia op is [ia Ga] IIA /IIC T4 Gb

Ex db eb ia op is [ia Ga] IIA/IIC T4 Gb

Ex ia op is IIA/IIC T4 Ga

Ex nA ia op is IIC T4 Gc

#### ATEX

II 2 (1) G Ex db ia op is [ia Ga] IIA /IIC T4 Gb

II 2 (1) G Ex db eb ia op is [ia Ga] IIA/IIC T4 Gb

II 1G Ex ia op is IIA/IIC T4 Ga

II 3G Ex nA ia op is IIC T4 Gc

#### NEC/CEC (US/CA)

Explosion-proof/non-flammable:

Cl I, Div. 1 Group D, T4 / Ex d ia [ia Ga] IIA T4 Gb / Cl I, Zone 1 AEx d ia op is [ia Ga] IIA T4 Gb

Cl I, Div. 2 Groups A, B, C, D, T4 / Ex ia nA IIC T4 Gc / Cl I Zone 2, AEx ia nA op is IIC T4 Gc

Cl I, Div. 1 Groups B, C, D, T4 / Ex d ia [ia Ga] IIC T4 Gb / Cl I, Zone 1 AEx d ia op is [ia Ga] IIC T4 Gb

Cl I, Div. 2 Groups A, B, C, D, T4 / Ex ia nA IIC T4 Gc / Cl I, Zone 2, AEx ia nA op is IIC T4 Gc

Intrinsically safe:

Cl I, Div. 1 Group D T4 / Ex ia IIA T4 Ga / Cl I, Zone 0, AEx ia op is IIA T4 Ga

Cl I, Div. 1 Groups A, B, C, D, T4 / Ex ia IIC T4 Ga / Cl I, Zone 0, AEx ia op is IIC T4 Ga

Non-flammable:

Cl I, Div. 2, Groups A, B, C, D, T4 / Ex ia nA IIC T4 Gc / Cl I Zone 2, AEx ia nA op is IIC T4 Gc

### 1.3.4 Operation in pressure applications

Design, manufacture and inspection of the FLOWSIC600-XT are performed in accordance with the safety requirements in the European Directive 2014/68/EC for pressure equipment.

### 1.3.5 Restrictions of use

Check the FLOWSIC600-XT is suitably equipped for your application (e.g., gas conditions).



#### NOTICE:

- ▶ The plant operator must ensure that the upper/lower limit values shown on the type plate are not overflowed or underflowed in operation.

The measuring system must only be used as specified by the manufacturer and as set forth below. Pay special attention that the equipment complies with the technical data, information about the permitted use as well as assembly, installation, ambient and operating conditions.

Relevant information is provided in the order documentation, type plate, certification documents and these Operating Instructions.

## 1.4 Responsibility of user

- ▶ Only put the FLOWSIC600-XT into operation after reading the Operating Instructions.
- ▶ Observe all safety information.
- ▶ If anything is not clear: Please contact SICK Customer Service.

### 1.4.1 Designated users

These Operating Instructions are intended for skilled persons familiar with the following tasks:

- Installation (setting up/assembly)
- Commissioning
- Handling and monitoring during operation
- Maintenance/service.



**NOTICE:**

Skilled persons are persons in accordance with DIN VDE 0105 or IEC 364, or directly comparable standards. It is decisive that these persons can recognize and avoid possible hazards, especially hazards arising from gases dangerous to health, and hot or pressurized gases.

- Installation, commissioning, maintenance and inspection may only be carried out by skilled persons having knowledge of the relevant rules and regulations for potentially explosive atmospheres, especially:
  - Ignition protection types
  - Installation regulations
  - Zone classification

#### 1.4.2 **Correct use**

- ▶ Only use the FLOWSIC600-XT as described in these Operating Instructions. The manufacturer bears no responsibility for any other use.
- ▶ Do not carry out any work or repairs on the FLOWSIC600-XT not described in these Operating Instructions.
- ▶ Do not remove, add or change any components in or on the FLOWSIC600-XT unless such changes are officially allowed and specified by the manufacturer. Otherwise:
  - Any warranty by the manufacturer becomes void
  - The FLOWSIC600-XT can become dangerous
  - The approval for use in potentially explosive atmospheres is no longer valid
  - The approval for use in lines pressurized above 0.5 bar (7.25 psi) bar is no longer valid.

#### 1.4.3 **Danger identification on device**

The following symbol draws attention to important hazards directly on the device:



- ▶ Consult the Operating Instructions in all cases where the symbol is attached to the device or shown on the display.

#### 1.4.4 **Special local conditions**

- ▶ Follow all local laws, regulations and company-internal operating directives applicable at the installation location.

#### 1.4.5 **Retention of documents**

- ▶ Keep these Operating Instructions available for reference.
- ▶ Pass these Operating Instructions on to a new owner.

# FLWSIC600-XT

## 2 Product description

Measuring principle

System components

Features and applications

Operating software FLOWgate™

Operating modes, meter states and signal output

Interfaces

Totalizers

Diagnostics function i-diagnostics™

Data processing in FLOWIC600-XT

Sealing

PowerIn Technology™

## 2.1 Measuring principle

The FLOWSIC600-XT measuring system works according to the principle of ultrasonic transit time difference measurement. This allows conclusions to be made on the gas volume flowing through based on the sound velocity transfer time. Measurement is carried out in a direct path layout to keep disturbing effects such as gas flow turbulence, dirt, moisture or interfering noises as low as possible. Two ultrasonic transducers are positioned opposite each other in a defined angle to the gas flow and operate alternately as sender and receiver.

## 2.2 System components

The FLOWSIC600-XT measuring system consists of the following hardware components:

Fig. 2 Overview FLOWSIC600-XT

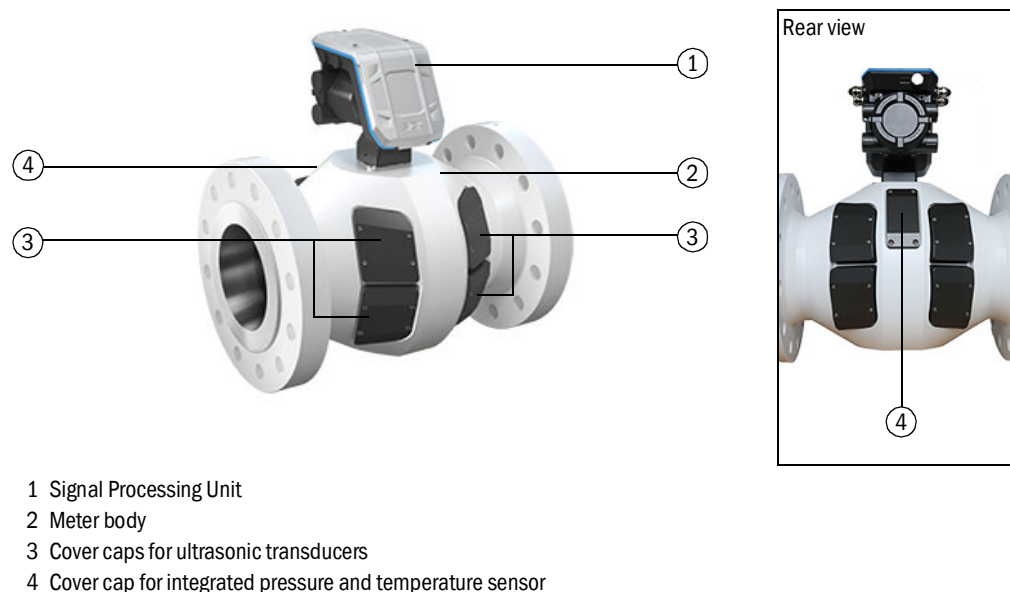
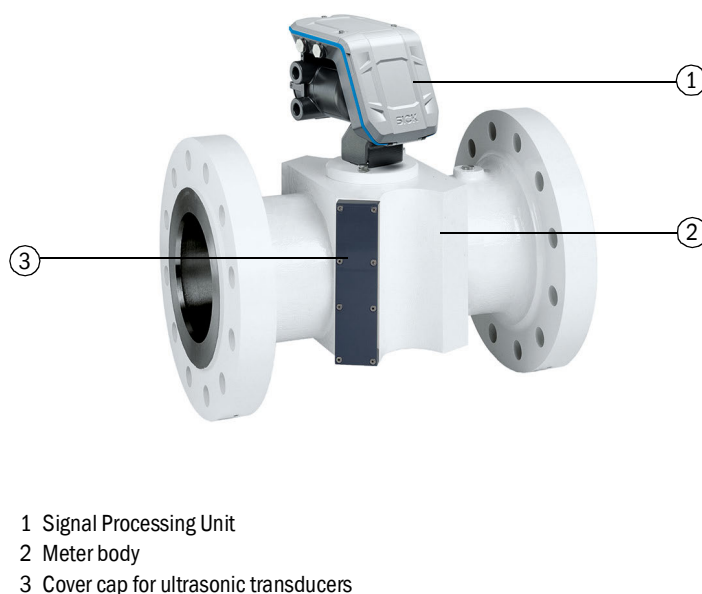


Fig. 3 Overview FLOWSIC600-XT C





### 2.2.1 Meter body

The meter body consists of a mid section for mounting the ultrasonic transducers, with flanges on either end. The meter body is made of a single-piece forging, which is machined on precision equipment to ensure high reproducibility of the geometric parameters.

The internal diameter, design of the sealing surface, and standard dimensions of the flanges are in accordance with the specifications in the data sheet and key code. The meter body material is chosen to suit customer requirements. Standard meter bodies are available in carbon steel, low temperature carbon steel and stainless steel.

The meter bodies can be delivered in several nominal sizes (→ p. 126, §8.4).

### 2.2.2 Ultrasonic transducers

Ultrasonic transducers optimally tuned to system requirements are fitted on the FLOWSIC600-XT. The high quality of the transducer design provides the basis for accurate and highly stable transit time measurement of the ultrasonic signals with nanosecond precision.

In order to meet as many application requirements as possible, an ultrasonic transducer suitable for this application is used depending on process parameters gas pressure and temperature, noise and gas composition. The basis for this is a sensor portfolio approved within the framework of the EU Type Examination Certificate.

In principle, the installed ultrasonic transducers are already functional at ambient pressure, which brings numerous advantages. Some selected transducer types, especially for applications above 105 bar absolute pressure, are optimized for high pressure use to ensure the measuring function. A minimum pressure of  $\geq 5$  bar(a) is usually required for these sensor types.

### 2.2.3 Signal Processing Unit

The Signal Processing Unit contains all the electrical and electronic components for controlling the ultrasonic transducers. It generates transmission signals and analyzes the received signals to calculate the measured values. The Signal Processing Unit also contains several interfaces for communication with a PC or standardized process control system.

The meter counters, log books (errors, warnings, parameter changes) and data logs are stored with a timestamp in a 30 second time grid, → p. 32, §2.9.1.

On system restart, the meter levels that were last saved are restored as the start values for the volume counters.

The Signal Processing Unit has a three-line LCD display for the current measured data and diagnostics data. Selection is possibly by operation with pushbuttons on the display. Configuration is not possible on the display, but only via the FLOWgate™ operating software.

The connection terminals for power supply and the I/O interfaces for communication with the device are located in a separate terminal compartment of the Signal Processing Unit.

### 2.2.4 Integrated pressure and temperature sensor - geometry correction via pressure and temperature

As an option, the FLOWSIC600-XT has an integrated pressure and temperature sensor. This sensor measures the process parameters gas pressure and gas temperature at the same time.

The values measured for pressure and temperature are used to correct the meter body geometry and to determine the current Reynolds number.

The sensor is not subject to (re-)calibration intervals. Its measurement uncertainty is 1% over the entire measuring range and is therefore sufficiently accurate for the geometry and Reynolds number correction in electronics.

The integrated pressure and temperature sensor cannot be used for volume conversion.

#### 2.2.4.1 Correction in FLOWSIC600-XT electronics

The geometric parameters of the Signal Processing Unit configured in the Signal Processing Unit reference the atmospheric conditions (20 °C, 1 bar ambient pressure). When a higher-level process control system or Flow Computer writes the current process parameters gas pressure and gas temperature to the FLOWSIC600-XT, the FLOWSIC600-XT corrects the geometric parameters of the meter body based on the differences to the reference conditions specified above.

If no current process values for pressure and temperature are available to the FLOWSIC600-XT due to a failure of external sources (volume converter or pressure and temperature transmitter), the device makes the correction based on the last known pressure and temperature values.

The optional integrated pressure and temperature sensor can take over the function of providing live data when no current process values are written to the device.

The device makes the correction based on the fixed values  $p_{fix}$  and  $T_{fix}$  when no current process values for pressure and temperature are available for the FLOWSIC600-XT from the integrated pressure and temperature sensor (volume converter or pressure and temperature transmitter).

The fixed values  $p_{fix}$  and  $T_{fix}$  are typically configured corresponding to the test conditions during high pressure calibration. The fixed values for pressure ( $p_{fix}$ ) and temperature ( $T_{fix}$ ) in the device should always be configured corresponding to the average process conditions in the application when these deviate considerably from the tested conditions. Within the framework of individual national approvals, an access restriction may prohibit modification of the substitute values when the parameter locking switch is closed.

#### 2.2.4.2 Correction outside the FLOWSIC600-XT electronics (volume converter)

Process pressure and temperature influence, among other things, the diameter of the flow meters and ultimately affect the measurement uncertainty. This influence must be taken into account and compensated, e.g. in accordance with the international standard ISO 17089-1:2019 paragraph 9.1.

The FLOWSIC600-XT compensates pressure and temperature effects on the measuring meter body geometry to obtain the exact actual flow volume ( $q_{v,corr,a.c.}$ ). SICK recommends leaving meter body correction in the flow meter. The following equations are used for the geometry correction in the flow meters.

$$q_{v,corr} = q_v \cdot (1 + 3\alpha_T \cdot \Delta T + 3\alpha_p \cdot \Delta p)$$

$\alpha_T$  ... correction coefficient temperature, meter housing geometry

$\alpha_p$  ... correction coefficient pressure, meter housing geometry

$\Delta T$  ... difference between operating temperature and reference condition (20 °C) using the internal correction of the meter.

$\Delta p$  ... difference between operating pressure and reference condition (1 bar(a)) using the internal correction of the meter.

If a geometry correction is to be made in the volume converter, it is important to make the correct settings and to follow the procedure below.

- 1 Before calibrating the meter:
  - ▶ Set  $\alpha_T$  and  $\alpha_p$  in the meter registers to "0".
    - Register No. 7422 ... CC\_DiameterPress → Set value to "0"
    - Register No. 7424 ... CC\_DiameterTemp → Set value to "0"
  - ▶ Set the fixed pressure value in the meter equal to the nominal calibration pressure ( $p_{fix} = p_{cal}$ ).
  - ▶ Set the temperature fixed value in the meter to the nominal calibration temperature ( $T_{fix} = T_{cal}$ ).
- 2 Calibrate the meter.
  - ▶ Perform the adjustment using the preferred correction method.
  - ▶ Check the adjustment accordingly.
- 3 During meter commissioning:
  - ▶ Set the pressure fixed value in the meter equal to the average absolute operating pressure ( $p_{fix} = p_{op}$ ).
  - ▶ Set the fixed temperature value in the meter equal to the average operating temperature ( $T_{fix} = T_{op}$ ) for Reynolds number correction in the flow meter.



Within the framework of individual national approvals, an access restriction may prohibit modification of the substitute values when the parameter locking switch is closed.

- 4 The actual temperature and pressure difference in the calibrated state must be calculated for the geometry correction in the volume converter according to the equations:
  - $\Delta_T = T_{op} - T_{cal}$  ( $T_{op}$  in °C)
  - $\Delta_p = p_{op} - p_{cal}$  ( $p_{op}$  in bar(a))

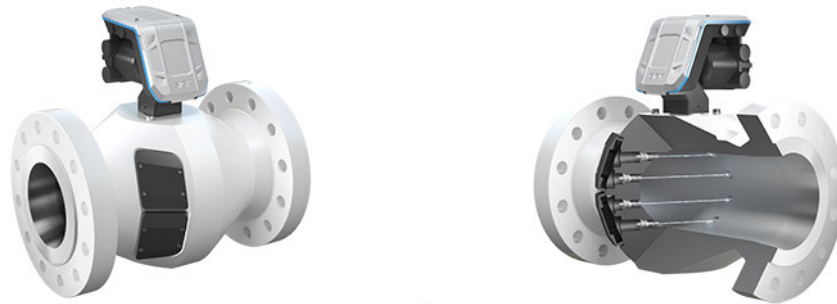
## 2.3 Features and applications

### 2.3.1 FLOWSIC600-XT

The FLOWSIC600-XT is the all-round device for all natural gas applications subject to custody transfer.

The FLOWSIC600-XT is equipped with four ultrasonic measuring paths and measuring electronics (transducer/Signal Processing Unit). Meters with 4 paths can be used for fiscal gas metering in any segment of the natural gas market, including extraction, transportation, distribution and storage. National Type Examination Certificates exist for several countries.

Fig. 4 FLOWSIC600-XT



### 2.3.2 FLOWSIC600-XT 2plex

The FLOWSIC600-XT 2plex is a very compact combination of a gas flow meter for custody transfer with a control measuring device, and provides advanced diagnostics functionality with an additional independent measuring path.

With their different path arrangements and the resulting difference in sensitivity, the diagnostics systems of the FLOWSIC600-XT 2plex can be compared in order to identify disturbances (caused by contamination, pulsation or noise) at an early stage and provide a warning.

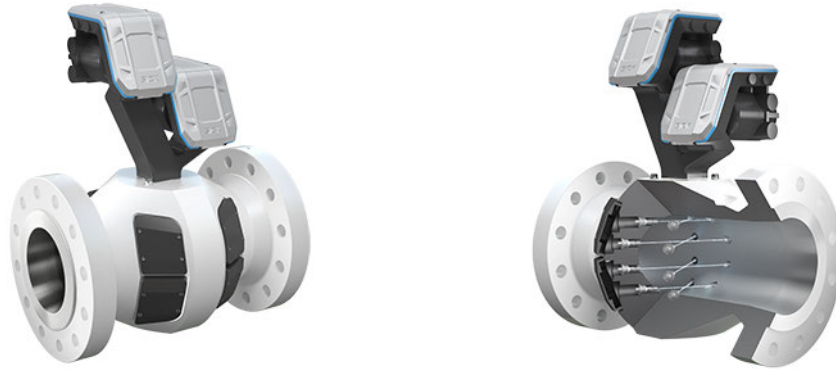
Fig. 5 FLOWSIC600-XT 2plex



### 2.3.3 FLOWSIC600-XT Quatro

The FLOWSIC600-XT Quatro combines two redundant measuring devices in one for redundant measurements in natural gas applications subject to custody transfer. Additionally, should one of the electronics develop a problem or fail, the secondary unit will continue to provide accurate measurement data.

Fig. 6 FLOWSIC600-XT Quatro



### 2.3.4 FLOWSIC600-XT Forte

The FLOWSIC600-XT Forte provides eight paths on two different path levels and is especially suitable for installation in systems with short inlet and outlet sections.

Fig. 7 FLOWSIC600-XT Forte



### 2.3.5 FLOWSIC600-XT C

The FLOWSIC600-XT C is a 4-path meter for all gas applications subject to custody transfer similar to the FLOWSIC600-XT, but with a different meter body shape. Optional functions such as the integrated pressure/temperature sensor or i-diagnostics™ are not available.

Fig. 8 FLOWSIC600-XT C



### 2.3.6 FLOWSIC600-XT Gateway

The FLOWSIC600-XT Gateway is an upgrade kit for the FLOWSIC600 gas flow meter. 4-path devices as well as 2-plex (4+1) and Quatro (4+4) devices can be equipped with a new electronics unit. The conversion can be carried out in the field as well as on a test bench or in the SICK factory. The device configuration from the existing FLOWSIC600 is used. The process is supported by the firmware update assistant in FLOWgate™.

The FLOWSIC600-XT Gateway provides a resource-saving service life extension of the measuring device.

The Gateway type plate, which differs from the FLOWSIC600-XT, is shown as an example in → p. 159, §9.5.

Fig. 9 FLOWSIC600-XT Gateway



## 2.4 Operating software FLOWgate™

The FLOWgate™ operating software allows user-friendly access to all measured values of the device.



For information on FLOWgate™ operating software, see “Software Manual FLOWgate™”.

The Software Manual is on the delivered Product CD or the SICK Product web site.

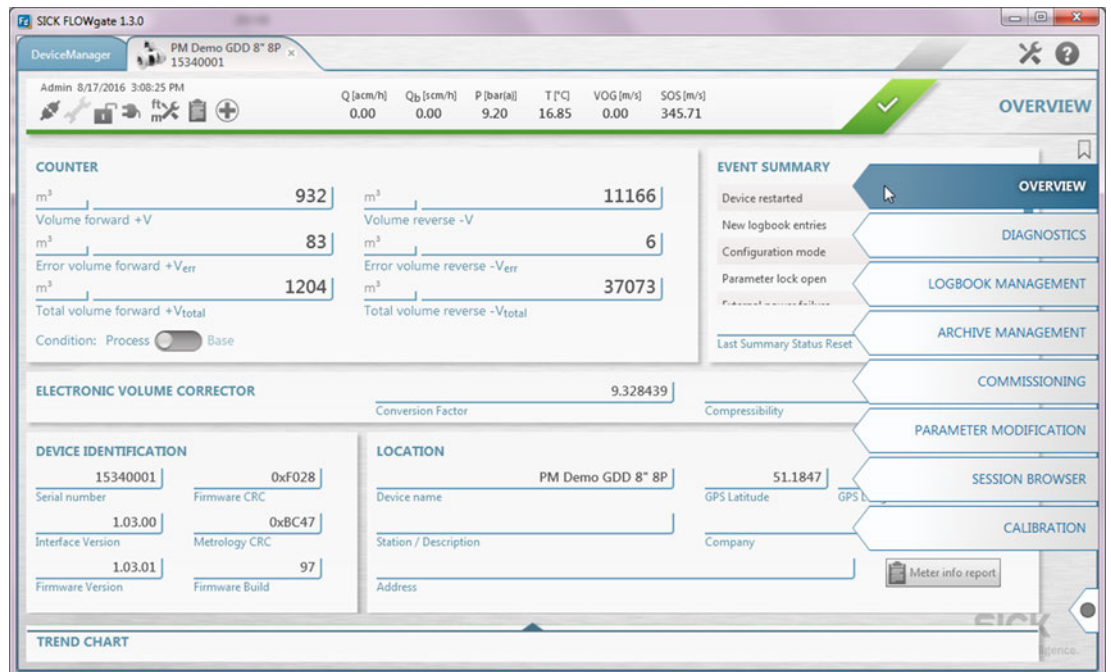
The Software Manual is also available using the Help function of the FLOWgate™ operating software.

### 2.4.1 Overview

#### Software functions

- Measured values overview
- Diagnostics data
- Logbook and archive management
- Commissioning
- Parameter modification
- Session browser
- Calibration

Fig. 10 Overview FLOWgate™ Operating Software



## 2.4.2 System requirements

- Microsoft Windows XP/7/8/10
- Min. 1 GHz CPU
- Min. 512 MB RAM
- Approx. 100 MB free memory (without .NET framework)
- USB or serial interface
- Recommended minimum screen resolution: 1024 x 768 pixels, optimum screen resolution 1368 x 768 pixels
- Microsoft .NET framework 4.0

## 2.4.3 Access rights

The FLOWSIC600-XT provides not only various access levels but also allows several single users per access level. Only one user can be logged onto the device at any one time. Three different users with the same access rights are possible for access levels “User” and “Authorized user”.

Users with access level “User”, “Authorized user” or “Admin” can create an individual user name and an individual password.

Users can be managed by “Admin” or SICK Service.

The following functions are available depending on the active access level:

Table 1

Access rights

Device function	Guest	User	Auth. user	Admin
Standard password		1111	2222	3333
Overview	X	X	X	X
Read parameters and measured values	-	X	X	X
Read archives	-	X	X	X
Change parameters not custody relevant	-	-	X	X
Change custody relevant parameters	-	-	X	X
Air test mode	-	-	X	X
Configuration mode	-	-	X	X
IO test	-	-	X	X
Regional device adaptation	-	-	X	X
User management	-	-	-	X



The device-specific administrator password can be found in the delivery documentation (Parameter report p. 2 “User password”).



## 2.5 **Operating modes, meter states and signal output**

The FLOWSIC600-XT has the following operating modes:

- Measuring mode
- Air test mode
- Configuration mode

If necessary, the pulse valency must be changed when using Air test mode.

### 2.5.1 **Measuring mode**

The FLOWSIC600-XT can have the following status during measuring mode:

- Measurement valid
- Measurement invalid
- Maintenance request

In measuring mode, the FLOWSIC600-XT operates in one of three meter statuses depending on the measuring conditions.

### 2.5.2 **Air test mode**

Air test mode serves to carry out a test bench calibration with the test medium air at ambient pressure. Entries are made in the Event logbook when air test mode is activated and deactivated. The measurement is marked as invalid in air test mode.

### 2.5.3 **Configuration mode**

Configuration mode serves to protect against unintentional or unallowed parameter changes. Therefore configuration mode must be activated for most configuration handling or parameter changes. Changing parameters for certain modules (e.g. serial interface) is first active after configuration mode is deactivated. The measurement is marked as invalid when configuration mode is activated when the parameter locking switch is open.

## 2.6 Interfaces

Further devices (e.g. volume converters, measured value remote transfer units) can be connected to the FLOWSIC600-XT via the available interfaces. The interfaces accessible in the terminal compartment are non-reactive. Available input/output configurations, see → p. 67, §3.4.5.

### 2.6.1 Analog outputs

The FLOWSIC600-XT has an optional 4-20 mA analog output to output the various measured values. The resolution of the output is 16 bit with an update rate of 8 Hz. The accuracy of the analog output is  $\leq 0.1 \dots 0.2\%$ .

The behavior of the analog output for bidirectional operation can be selected in register # 4021. By default, the negative flow rate (reverse direction) is output as a negative value (linear behavior). When switching to bidirectional operation, an absolute value is always output, independent of the flow direction.

It is recommended to check and, if necessary, adjust the analog output during commissioning.

### 2.6.2 Digital outputs

The FLOWSIC600-XT has 4 digital outputs (FO.0, FO.1, DO.2 and DO.3) to output the impulses proportional to the flow rate and status information. The digital outputs are electrically isolated with a synchronous refresh in a configurable period between 0.1 to 1 s. The refresh rate can be configured.

#### Status output

All the digital outputs can be configured individually to output various status information.

The following output modes are available:

- Inactive
 

The output remains at its set idle level. This setting is especially useful for low power applications when the output is not used.
- Measurement valid
 

The output is only activated when the measurement is valid. The output is deactivated when a device error occurs (system error or air test mode), or when maintenance mode is active when the parameter locking switch is open.
- Error
 

The output is activated when a device error is present (system error or air test mode).
- Maintenance request
 

Maintenance request is reported and the output activated when measuring precision can be impaired when a component fails or is configured incorrectly.
- User warning
 

The output is activated when a user limit is exceeded.
- Configuration mode
 

The output is activated when the device is in configuration mode.
- Reverse flow
 

The output is activated when the flow direction through the device is negative (reverse flow).

### Pulse output

An adjustable measured value can be output on the two pulse outputs FO.0 (DO.0) and FO.1 (DO.1) proportional to the frequency. The maximum adjustable frequency is 10 kHz.

The following can be set as output value via the associated configuration register:

- Operational flow rate
- Base flow rate

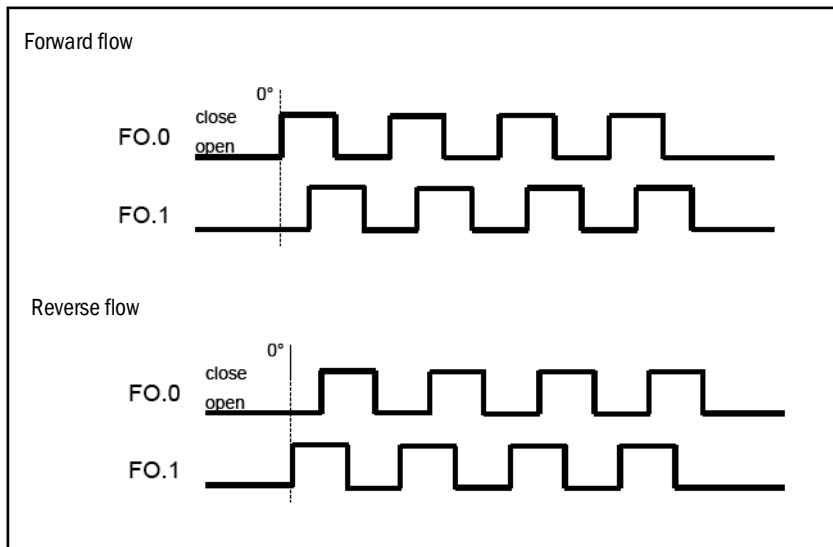
### Setting the status and pulse outputs

Following options can be set:

- 2x status  
The outputs operate as status outputs and are set via the corresponding configuration registers.
- Pulse output and status output  
Direction-independent pulses are output on FO.0. FO.1 operates as status output and is set via its configuration register.
- 2x pulse output  
Direction-independent pulses are output on FO.0 and FO.1.
- Phase offset 90°  
FO.0 and FO.1 output a signal with a phase offset of 90°. FO.0 leads for positive values and follows for negative values.

Fig. 11

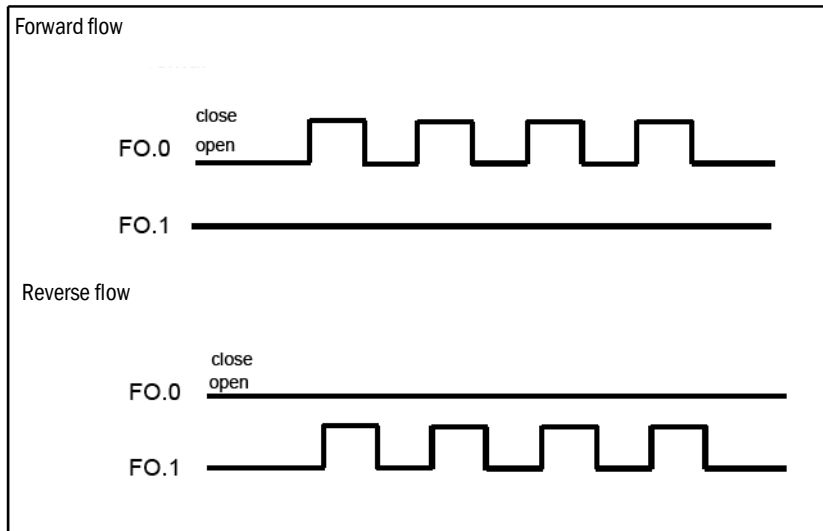
Phase offset 90°



- Separate direction outputs  
For forward flow, pulses are output on FO.0. FO.1 is inactive. For backward flow, pulses are output on FO.1. FO.0 is inactive.

Fig. 12

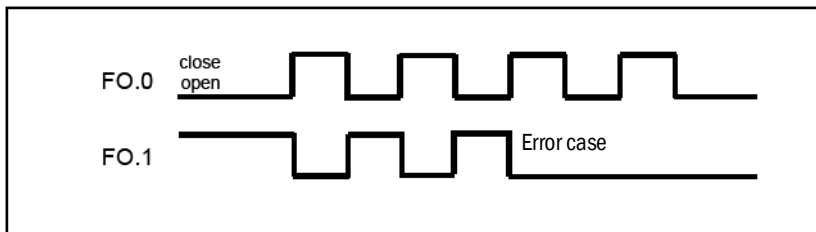
Separate direction outputs



- Inverted with error signaling  
Direction-independent pulses are output on FO.0. FO.1 outputs an inverted signal to FO.0 and is retained inactive in state “Measurement invalid”.

Fig. 13

Inverted with error signaling

**NOTICE:**

The measurement is marked as invalid when the FLOWSIC600-XT is in Configuration mode with open calibration switch. The device goes into “Error” mode.

The representation of this behavior via the pulse output is done by selecting “Inverted with error signaling”.

## 2.6.3

**Encoder totalizer**

(Digital interface for primary devices with meter reading transmission according to DVGW Information GAS No. 23, December 2017)

Alternatively, the meter reading can be transmitted digitally coded (ENCODER) to volume converters and additional devices as a metrologically secured point-to-point connection. Compatibility with the downstream device is ensured when this device runs with the same interface protocol. It is recommended to check this during an operating point test.

#### 2.6.4 Serial data interfaces

- RS-485 (3x, for configuration, measured value output and diagnostics)  
MODBUS ASCII, MODBUS RTU;  
The configuration of the RS485.1 interface at the factory is configured uniform to support smooth calibration of the device.  
Configuration:
  - Protocol type: MODBUS-RTU
  - Modbus configuration: FL600XT (standard)
  - Baud rate: 38,400 baud
  - Bit protocol: 8N1
- Ethernet (1x optional for configuration, measured value output and diagnostics),  
MODBUS TCP

The serial interfaces can be used as metrological secured point to point connection for connecting volume converters or auxiliary equipment. In this case, the compatibility is defined in the documents of the downstream device.



For further information, see document “8019260 Addendum to Operating Instructions FLOWSIC600-XT: Interfaces”.

#### 2.6.5 Optical data interface

The FLOWSIC600-XT has an optical interface compliant with IEC 62056-21 on the front panel with bit-serial, asynchronous data transfer (protocol MODBUS RTU).

A computer can be connected using an infrared/USB adapter (Part No. 6050602).

The interface can be used to read out data and parameter values as well as to configure the device. A firmware update can be carried out using this interface when the parameter locking switch is open.

#### 2.7 Totalizers

In addition to the main encoder totalizer, the volumes measured during a malfunction are recorded for each flow direction by a special malfunction volume encoder totalizer. Resetting the malfunction volume encoder totalizer can be traced in the Event logbook of the meter.

The FLOWSIC600-XT is designed bi-directional and has a configurable zero-flow cutoff set to  $0.25 Q_{\min}$  at the factory.

#### 2.8 Diagnostics function i-diagnostics™

i-diagnostics™ is the intelligent combination of firmware and software that means safe, reliable, and easy to use device operation for the entire operating time.

i-diagnostics™ is based on the FLOWSIC600's CBM (Condition Based Maintenance) smart self-diagnostics functionality. In addition to meter diagnostics, it provides useful information about the system status and any changes to it.

In order to assess the application, diagnostics data from cross-eyed beams is first factored in, with application faults, such as blocked flow conditioners, background noise, corrosion or liquids in the gas being detected automatically. Process data is constantly assessed on the basis of the integrated Fingerprint concept.

This means the measurement conditions during calibration can be compared with the measurement conditions during commissioning and with the current measurement and diagnostics data. An internal dialog continuously logs measured values which allow trend analyses to check the historical measurement process. An internal dialog continuously logs the self-monitoring results so that a retroactive check of the measurement process in the form of a graphic trend analysis is also possible.

### 2.8.1 Fingerprint System

The FLOWSIC600-XT is equipped with a so-called Fingerprint System, which records process and diagnostic data to examine the current operating state for changes to an operating state in the past. A warning can be generated when changes are detected. In addition, it is possible to obtain complete images of device statuses at different points in time.

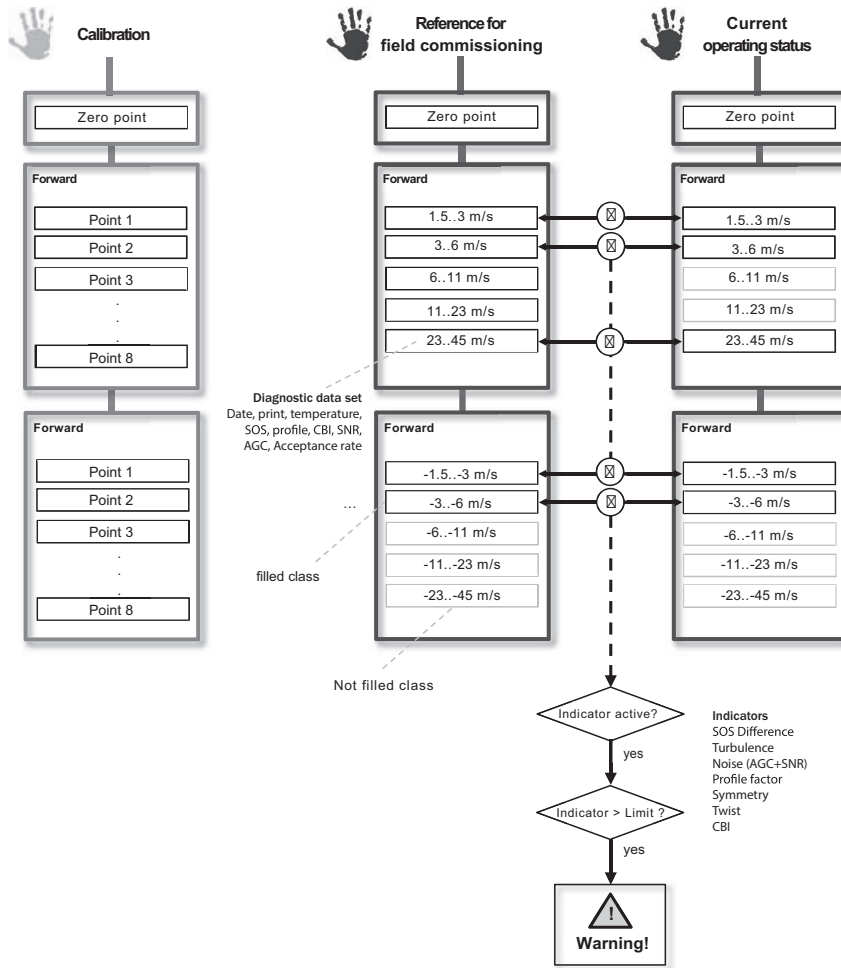
The “Fingerprint System” enables an application-specific tightening of monitoring limits and is therefore very well suited for detecting small or creeping changes in process variables. Especially changes of device parameters due to ageing of sensors/electronics and contamination of sensors or flow influencing components (e.g. flow conditioners) can be detected. The “Fingerprint System” is primarily designed to detect long-term relevant deviations.

The “Fingerprint System” has 11 non-volatile stored measured data entries (zero point, five speed classes in forward direction and five speed classes in reverse direction) for each of the three different states:

- Calibration (low pressure or high pressure calibration)
  - For calibration, the Calibration wizard provided in the FLOWgate operating software must be used.
  - Data are recorded by FLOWgate during the calibration, written to the device and read-out as required. At the end of each calibration, FLOWgate prompts whether the data should be saved (and if already existing, overwritten).
  - With the data, the time, measurement conditions and performance during calibration can be traced very well.
  - Has informative character.
- Reference data for field commissioning
  - The reference is initially generated automatically by the device in a teach-in process (after commissioning).
  - The reference can be overwritten by a reference generated by FLOWgate, e.g. from the diagnostic archive.
  - The reference serves as normal for the current condition assessment.
- Current data
  - A user warning is generated when one or more diagnostic variables deviate from the reference data by more than an adjustable limit. All monitoring can be activated individually.
  - Represent a complete current process image.

The data records of the different operating states are divided into different “classes” by the flow velocity. Comparisons between reference data and current data are only made in data records of the same class.

Fig. 14 "Fingerprint System" example



## 2.9 Data processing in FLOWSIC600-XT

### 2.9.1 Logbooks

- Event logbook (1,000 entries)

Custody relevant and other events are written to the event logbook. It can store 1000 entries. As standard, no entries are overwritten when the logbook is full. An error message is output.



**NOTICE: Type approval**

Meter status “Measurement invalid” is activated when the FLOWSIC600-XT is configured as a verifiable meter and the maximum number of entries is reached in the metrology logbook or parameter logbook. Measured volumes are registered in the malfunction volume encoder totalizers.

The event logbook can be reset only when the parameter locking switch is open. Timestamp, meter level, user ID of the active user, the event code and possibly supplementary information are saved.

- Parameter logbook (200 entries)

The parameter logbook saves all parameter changes. It has a capacity of 200 entries and is circulating by default. The oldest entries are deleted when the parameter logbook overflows. Timestamp, meter level, user ID of active user, interface version, old value, new value as well as the Modbus register number are saved.

When an overflowing/rolling logbook is set, the index numbers are further incremented and the oldest entries overwritten with new data entries. Old entries are lost if no regular backup with is made with the FLOWgate™.

- Metrology logbook (50 entries)

Selected calibration-relevant parameters can be modified when the parameter locking switch is closed and after logging in as authorized user.

An entry in the metrology logbook is generated to ensure the traceability of these parameter changes. The following parameters can be changed when the parameter locking switch is closed:

- Pulse valency
- Ambient pressure
- Minimum and maximum measurement pressure
- Default values for pressure and temperature
- Deactivation of Metrology Logbook

Timestamp, meter level, user ID of active user, old value, new value as well as the Modbus register number are saved. The metrology logbook has a capacity of 50 entries and stops by default when it is full. When the metrology logbook is full, changes of custody-relevant parameters can only be carried out when the parameter locking switch is open. The metrology logbook can be reset only when the parameter locking switch is open.



## 2.9.2

**Archives**

- One configurable diagnostics archive (6,000 entries)  
Diagnostics data are saved in cyclic intervals in the diagnostics archive. The storage period can be set in the range from 15 min to 6 h. Dataset number, timestamp, various global measured values, status information and path information are saved. The archive has a capacity of 6000 entries and is circulating by default. The archive serves primarily for analysis of historical measured data.
- Two configurable archives (6,000 entries each)  
Accounting data are saved in cyclic intervals in data archives 1 and 2. The storage period can be set in the range from 15 min to 24 h. Dataset number, timestamp, status information, various meter levels as well as various operating variables and standardized variables are saved. The archives have a memory of 6000 entries and are circulating by default.

Table 2 Data archive contents and structure

Element	Significance
Date record number	Consecutive number of the data record, is not reset when the logbook is cleared.
Timestamp	Time of the entry as Unix timestamp (UTC)
Unit ID	Bits 0 : Pressure type (0=absolute, 1=relative) 1 : Unit system (0=metric, 1=imperial) 2..4 : Pressure unit 5..7 : Temperature unit
Flowtime	Percentage of periods in which the throughflow was in the recording direction [%]
Detail status	Detailed status information (ActualStatus)
Meter 1 : V	Totalizer 1 : Volume uninterrupted/total
Meter 1 : Verr	Totalizer 1 : Volume when meter in malfunction status
Meter 1 : ID	Totalizer 1 : Bits 0 : Totalizer status (0=uninterrupted, 1=total) 1..2 : Totalizer type (0=operation, 1=standard, 2=mass, 3=reserved) 3..6 : Power of ten totalizer resolution plus 8 7 : Unit system (0=metric, 1=imperial)
Meter 2 : V	Totalizer 2 : Volume uninterrupted/total
Meter 2 : Verr	Totalizer 2 : Volume when meter in malfunction status
Meter 2 : ID	Totalizer 2 : Bits 0 : Totalizer status (0=uninterrupted, 1=total) 1..2 : Totalizer type (0=operation, 1=standard, 2=mass, 3=reserved) 3..6 : Power of ten totalizer resolution plus 8 7 : Unit system (0=metric, 1=imperial)
Pressure	Pressure (average <sup>[1]</sup> of the measuring period)
Temperature	Temperature (average <sup>[1]</sup> of the measuring period)
Compressibility	Compressibility (average <sup>[1]</sup> of the measuring period)
Conversion factor	Conversion factor (average <sup>[1]</sup> of the measuring period)
SOS	Sound velocity (average <sup>[1]</sup> of the measuring period)
Molar mass	Molar mass (average <sup>[1]</sup> of the measuring period)
Density	Density (average <sup>[1]</sup> of the measuring period)
Reserved	Field reserved (for future extensions (must be zero!))
Check sum	CRC-16 check sum for the data record

[1] ) The values are throughflow-weighted in the recording direction when the throughflow was within the period in recording direction. The values are averaged when no throughflow existed within the period.

### 2.9.3 Protection of parameters from undesired changes

Three different mechanisms have been integrated as protection of the parameters from undesired changes or manipulation attempts:

- User identification  
Users must identify themselves with a user ID and a user password as protection against manipulation attempts. An access level which allows access to certain settings and commands is assigned to every user level.
- Configuration mode  
General protection of all (configuration) parameters from undesired changes. Configuration mode can be activated only from access level "Authorized user".
- Parameter locking switch  
The parameter locking switch is a hardware switch in the device and is normally located underneath a calibration seal. The parameter locking switch serves for protection against unauthorized parameter changes. Certain parameters that are protected with the parameter locking switch can also be changed when the parameter locking switch is closed. These changes are possible only when free entries exist in the metrology logbook.

## 2.10

**Sealing**

The meter has metrological seal positions on the electronics cover, display cover, terminal compartment covers and the transducer cover caps.

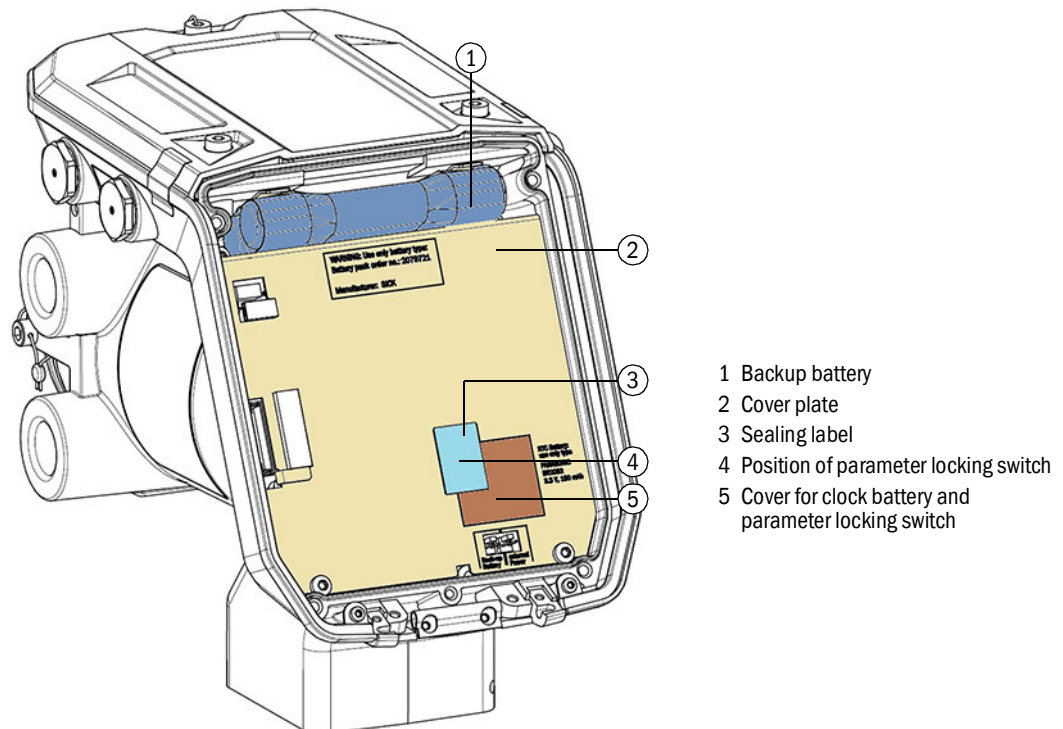
Sealing can be done with adhesive labels. Alternatively the terminal compartment covers can be sealed with wire seals.

**Sealing of the parameter locking switch**

The parameter locking switch and the battery of the real-time clock are protected mechanically by a mutual joint cover. The fixing screw of this cover must be secured by a label positioned approximately equal on the cover and cover plate.

Fig. 15

Sealing of parameter locking switch

**Sealing on the Signal Processing Unit**

Metrological sealing of the terminal compartment must be carried out during commissioning according to national regulations.

The protection of the terminal compartment active in use must be carried out according to the chosen explosion-proof model of the interface electronics of the Signal Processing Unit. The following Figures show examples for protection types Ex-d "Flameproof Enclosure", Ex-e "Increased Safety" and Ex-i "Intrinsically Safe".

If the manufacturer's adhesive label has been broken, sealing can also be carried out using screws with cross or longitudinal holes and wire seals.

Fig. 16 Sealing the Ex-d terminal compartment

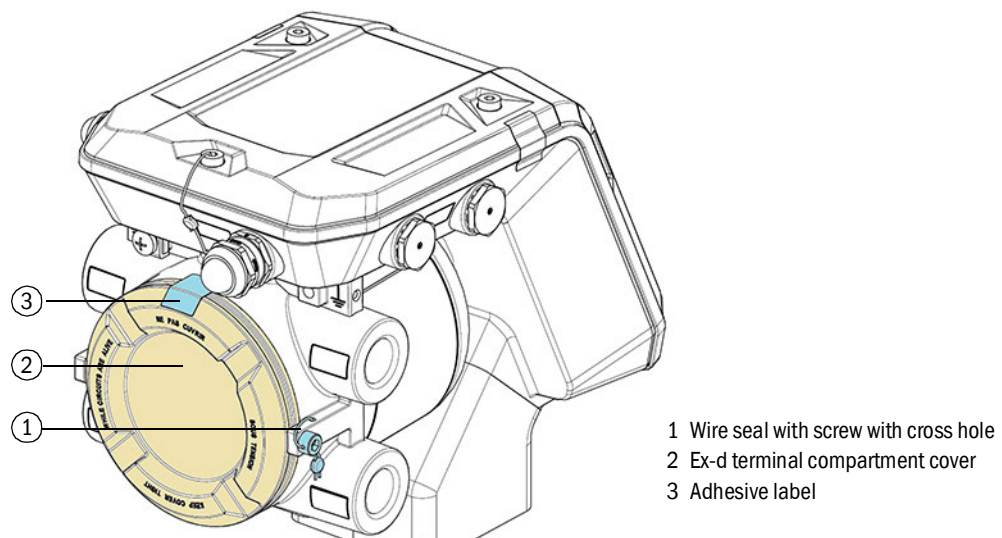
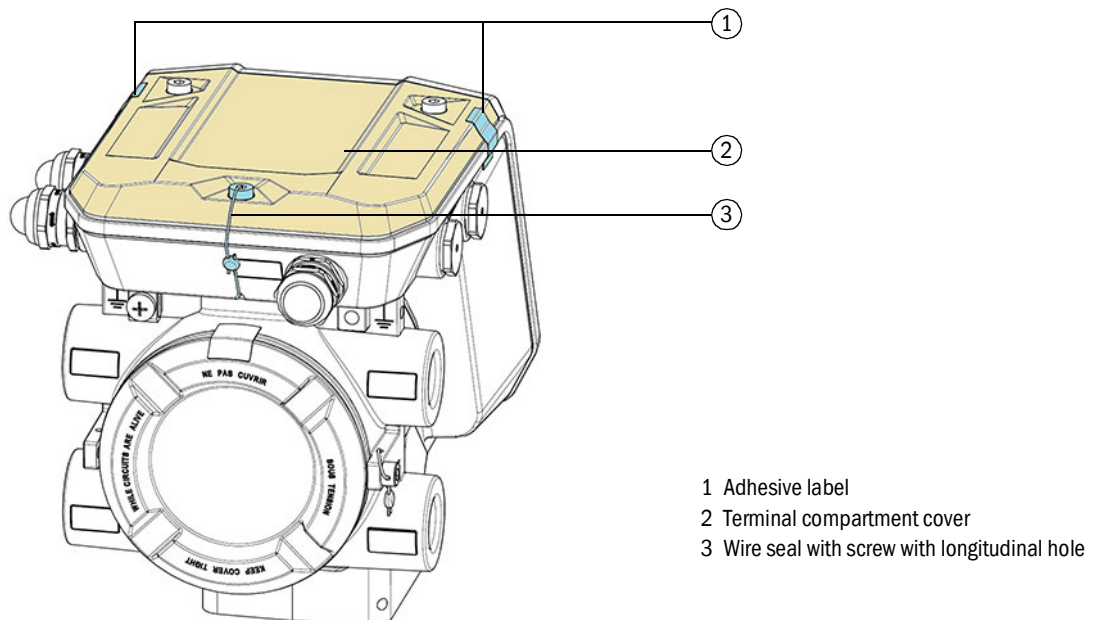


Fig. 17 Sealing the Ex-e or Ex-i terminal compartment



#### Seals on the transducer cover caps

The cover caps are sealed with at least one adhesive label that must be glued over the openings of the fastening screws.

2.11

**PowerIn Technology™**



**WARNING: Danger when charging the battery**

The backup battery is a special hermetically sealed battery which can be stored for over 10 years without capacitance loss. The battery is designed for single use and therefore cannot be recharged.

- ▶ Do not charge the battery.
- ▶ Contact SICK Service for a new battery.

The highly efficient energy concept of the FLOWSIC600-XT guarantees continuous power supply via an optional integrated backup battery in the event of a mains power failure. This ensures continuous measuring operation for up to three weeks.

The backup battery is a special hermetically sealed battery which can be stored for over 10 years without capacitance loss.

If the external power supply fails, power consumption is reduced to the minimum level:

- The standard measuring rate is reduced from 10 Hz to 1 Hz.
- The cross-eyed beams for additional diagnostics support are deactivated
- The RS485, Ethernet, HART, Encoder interfaces and the analog output are deactivated.
- The frequency and pulse outputs FO.0, FO.1, DO.2 and DO.3 as well as the infrared service interface on the display are available.
- The digital display is activated.

This configuration is preconfigured at the factory. The measuring rate and the active inputs and outputs can be adapted for backup operation via the device configuration with the FLOWgate™ operating software.

The following operating time (measurement, providing measurement and diagnostics data via the above interfaces) is available for backup operation with power supply via the backup battery:

	Active I/Os for Ex-d and Ex-de (circuit; Open normally)					
Status output (DO) Pulse output (FO)	2x DO 2x FO	2x DO 1x FO	1x DO 2x FO	1x DO 1x FO	- 2x FO	Measurement without active I/O
4-path electronics	Approx. 1 week	Approx. 2 weeks	Approx. 2 weeks	Approx. 3 weeks	Approx. 1 month	Approx. 3 months
8-path electronics	Approx. 1 week	Approx. 2 weeks	Approx. 2 weeks	Approx. 3 weeks	Approx. 1 month	Approx. 2 months
1-path electronics	Approx. 2 weeks	Approx. 2 weeks	Approx. 3 weeks	Approx. 1 month	Approx. 2 months	Approx. 5 months

	Active I/Os for Ex-i (circuit: Open normally)					
Status output (DO) Pulse output (FO)	2x DO 2x FO	2x DO 1x FO	1x DO 2x FO	1x DO 1x FO	- 2x FO	Measurement without active I/O
4-path electronics	Approx. 1 month	Approx. 2 months	Approx. 2 months	Approx. 2 months	Approx. 2 months	Approx. 3 months
8-path electronics	Approx. 1 month	Approx. 1 month	Approx. 2 months	Approx. 2 months	Approx. 2 months	Approx. 2 months
1-path electronics	Approx. 2 months	Approx. 2 months	Approx. 2 months	Approx. 3 months	Approx. 3 months	Approx. 5 months

Subject to change without notice



# FLWSIC600-XT

## 3 Installation

- Hazards during installation
- General information
- Mechanical installation
- Electrical installation

## Hazards during installation

**WARNING: Hazards during installation work**

- ▶ Do not carry out any welding work on lines with meters fitted.
- ▶ Comply exactly with mandatory and approved methods.
- ▶ Observe and comply with regulations of the plant operator.
- ▶ Meticulously check completed work. Ensure leak tightness.

Otherwise hazards are possible and safe operation is not ensured.

**CAUTION: General risks during installation**

- ▶ Observe applicable valid regulations, general standards and guidelines.
- ▶ Observe local safety regulations, operating instructions and special regulations.
- ▶ Observe the safety information in → p. 10, § 1.2.
- ▶ Comply with the safety requirements of Pressure Equipment Directive 2014/68/EC or ASME B31.3 when installing pressure devices including connection of various pressure devices.
- ▶ Persons carrying out installation work must be familiar with the directives and standards applicable for pipeline construction and have the corresponding qualifications, e.g. in accordance with DIN EN 1591-4.



## 3.2 General information

### 3.2.1 Delivery

The FLOWSIC600-XT is delivered preassembled in sturdy packaging.

- ▶ Inspect for transport damage when unpacking the device.
- ▶ Document any damage found and report this to the manufacturer.



**NOTICE:**

Do not put the FLOWSIC600-XT into operation if you notice any damage!

- ▶ Check the scope of delivery for completeness.  
The standard scope of delivery comprises:
  - Measuring system FLOWSIC600-XT (meter body with Signal Processing Unit and sensors),
  - Program FLOWgate for operating, configuration and diagnostics,
  - Operating Instructions,
  - Device documentation.
- ▶ Check that the identifiers on the Signal Processing Unit and meter body (type plates) match the operating conditions.



**NOTICE:**

The plant operator must ensure that the upper/lower limit values shown on the type plate are not overflowed or underflowed in operation.

### 3.2.2 Transport

During all transport and storage work:

- ▶ Ensure the FLOWSIC600-XT is always well secured.
- ▶ Take measures to prevent mechanical damage.
- ▶ Ensure the ambient conditions are within the specified limits.

### 3.2.3 Water pressure test in the plant (optional)

Consultation with SICK is mandatory when an inspection of the plant in which a FLOWSIC600-XT is installed is to be carried out by means of water pressure. SICK evaluates and checks the inquiry as to whether the installed ultrasonic transducers can withstand the planned water pressure or whether they need to be replaced with so-called blind plugs. Forward the following information to [flow.help@sick.de](mailto:flow.help@sick.de): The meter serial number and the pressure planned for this check.

If it is determined that the sensors cannot withstand the pressure, dummy plugs must be installed instead. SICK will make a recommendation for the dummy plugs as well as for the corresponding O-rings to be used for the water pressure test (dummy plugs and O-rings must be ordered separately!).

The installation instructions for the dummy plugs can be found in the FLOWSIC600-XT Service Manual.

### 3.3 Mechanical installation

#### 3.3.1 Preparations

- ▶ The following tools and materials are required to install the FLOWSIC600-XT:
  - Lifting gear or fork lift (load according to the weight specification on the type plate)
  - Box wrench with size suitable for flange installation
  - Thread seal (e.g. PTFE tape) and flange gaskets
  - Bolt lubricant
  - Leak detection spray

#### 3.3.2 Choosing flanges, seals and other components

For flange connections only use pipeline flanges, bolts, nuts and gaskets suitable for the maximum operating pressure, maximum operating temperature as well as ambient and operating conditions (external and internal corrosion).

The FLOWSIC600-XT can be installed in straight inlet and outlet pipes depending on the installation configuration (→ p. 45, §3.3.4.1):

The inlet and outlet pipes must have the same nominal size as the meter body. The inner diameter is shown in the Data Sheet and is based on the nominal flange value and the standard. The max. permitted difference of the inner diameter of the inlet pipe from that of the meter body is 3%. The permitted difference is 1% for meter bodies with straight measuring section.

Any welding beads and burs on the flanges of the inlet pipe must be removed.

#### 3.3.3 Requirements to the measuring point

- The meter body may be installed in a horizontal or vertical position.
  - In case of horizontal installation, the meter body must be aligned so that the planes formed by the measuring paths are horizontal. This prevents dirt in the pipeline from entering the transducer ports. Vertical installation is only possible when the measuring system is used for dry, non-condensing gases. The gas flow must be free from any foreign material, dust and liquids. Otherwise use filters and traps.
- Do not mount equipment or fittings which may adversely affect the gas flow directly before the FLOWSIC600-XT
- Seals on the flange connections between meter body and pipeline must not protrude into the pipeline. Any protrusion into the flowing gas stream may change the flow profile and thus adversely affect measuring accuracy.
- Pressure measuring devices must be connected to the pressure tap provided. The pressure inlet nozzle is marked with  $p_m$ .
- As required by the customer or as standard, the pressure taps are designed as 1/8, 1/4 or 1/2 inch NPT connection (female), depending on meter sizes and customer requirements.
- For the leak-proof connection on the pressure line, a suitable thread sealing agent (e.g. PTFE tape) must be used when the pressure connection adapter is screwed in. The leak tightness must be checked after installation and commissioning. All leaks must be repaired. Arrange the temperature sensors as shown in → Fig. 19 (unidirectional) and → Fig. 20 (bidirectional).

## 3.3.4

## Fitting in the pipeline

**NOTICE: Transport information**

The lifting lugs are designed for transporting the meter only.

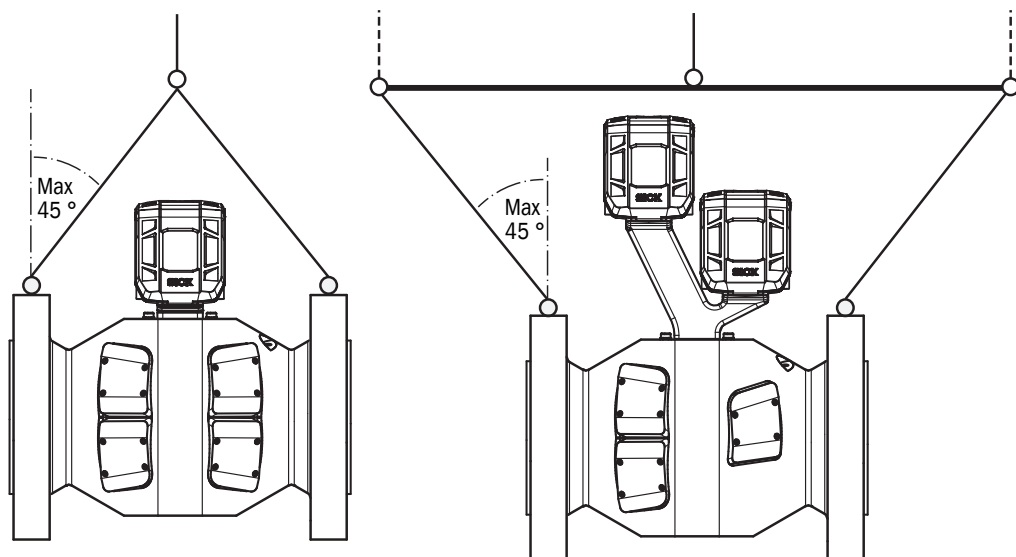
Do not lift or transport the FLOWSIC600-XT with additional loads using these lugs.

- ▶ The FLOWSIC600-XT must not swing or tilt on the lifting gear during transport.
- ▶ Never attach lifting gear to the Signal Processing Unit or its mounting bracket and avoid contact between these parts and the lifting gear.
- ▶ Flange sealing surfaces, Signal Processing Unit housing and transducer cover caps may be damaged when the lifting gear is not attached properly.
- ▶ Take suitable protective measures to prevent any damage when carrying out other work (e.g. welding, painting) near the FLOWSIC600-XT.

**Lifting requirements**

Fig. 18

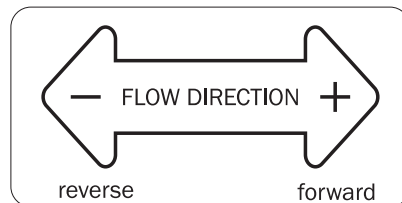
Lifting requirements



- ▶ If a lifting angle of 45° cannot be ensured due to construction of the FLOWSIC600-XT, e.g. for 2plex devices, a suitable traverse hoist must be used for lifting.
- ▶ For meters of nominal size DN80/3" and DN100/4" with double electronics (Y-neck), the lifting lugs for correct alignment of the electronics must be removed and replaced with dummy plugs.

**Gas flow direction****NOTICE: Observe the gas flow direction**

- ▶ A directional arrow shows the gas flow direction in accordance with OIML R 137-1&2 (see Figure).
- ▶ The forward or main flow direction is marked with “+” and the reverse direction with “-”.
- ▶ In case of unidirectional use, ensure the meter is flowed through in the main flow direction marked with “+”.
- ▶ The measured volume is displayed with a negative sign when the meter is flowed through in reverse direction marked with “-”, .

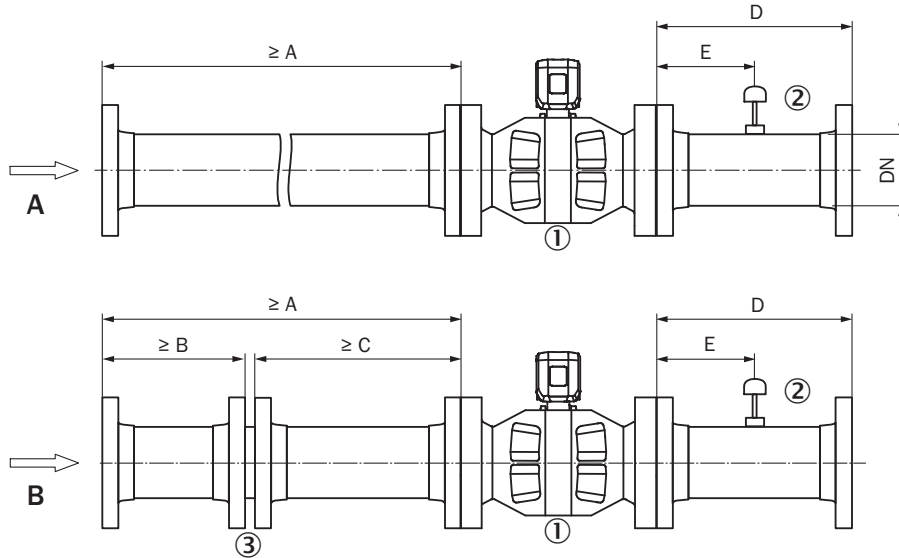


3.3.4.1 Installation configurations

**Unidirectional**

Fitting the FLOWSIC600-XT for unidirectional flow.

Fig. 19 Unidirectional use



- 1. FLOWSIC600-XT
- 2. Temperature measuring point
- 3. SICK flow conditioner



**NOTICE:**

Installation configuration (B) with the flow conditioner refers exclusively to SICK conditioner types (according to SICK documents 9211778 and 9211779). When using conditioner types CPA 50E or 55E, a distance between the conditioner and meter of at least 10DN inlet length must be considered. When other conditioners are used, the installation configuration can be different and must be agreed with SICK.



**NOTICE:**

During operation, it is imperative to use the same flow conditioner as well as the same pipes, in the same orientation as when calibrating the meter. Mark the pipes and flow conditioner to indicate the flange alignment at the time of calibration.

Configuration 1 (A)		
<b>OIML R137</b>		<b>A</b>
4 measuring paths	Class 1.0	10 DN
8 measuring paths	Class 1.0	2 DN
8 measuring paths	Class 0.5	5 DN
<b>AGA Report 9 3rd Edition, July 2017</b>		<b>A</b>
4 measuring paths	Metering package performance per §6.3 <sup>1</sup>	20 DN
8 measuring paths	Metering package performance per §6.3 <sup>1,2</sup>	5 DN

[1] Characterized by CPA or SICK flow conditioners.

[2] Better repeatability and linearity is achieved by using a flow conditioner; but both configurations meet the performance requirements of AGA 9.

Configuration 2 (B)						
<b>OIML R137</b>		<b>A</b>	<b>B</b>	<b>C</b>	<b>D</b>	<b>E</b>
4 measuring paths	Class 1.0	5 DN	2 DN	3 DN	3 DN	1-5 DN
4 measuring paths	Class 0.5	10 DN	2 DN	8 DN	3 DN	1-5 DN
8 measuring paths	Class 1.0/0.5	5 DN	2 DN	3 DN	3 DN	1-5 DN
<b>AGA Report 9 3rd Edition, July 2017</b>		<b>A</b>	<b>B</b>	<b>C</b>	<b>D</b>	<b>E</b>
4 measuring paths	Metering package performance per §6.31.2	10 DN	5 DN	5 DN	5 DN	2.5 DN
8 measuring paths	Metering package performance per §6.31.2	5 DN	2 DN	3 DN	5 DN	2.5 DN

[1] Characterized by CPA or SICK flow conditioners.

[2] Better repeatability and linearity is achieved by using a flow conditioner, but both configurations meet the performance requirements of AGA 9.



Local requirements for the inlet section may vary. Installation requirements in accordance with GOST, see document “8020847 Installation Requirements GOST”



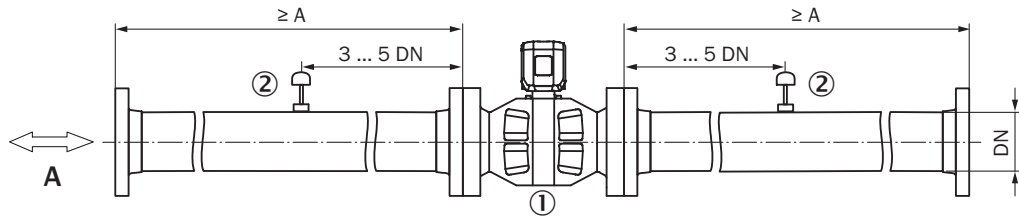
The maximum gas velocity in the pipe is limited to 40 m/s in configurations with flow conditioner.

**Bidirectional**

Fitting the FLOWSIC600-XT for bidirectional flow.

Fig. 20

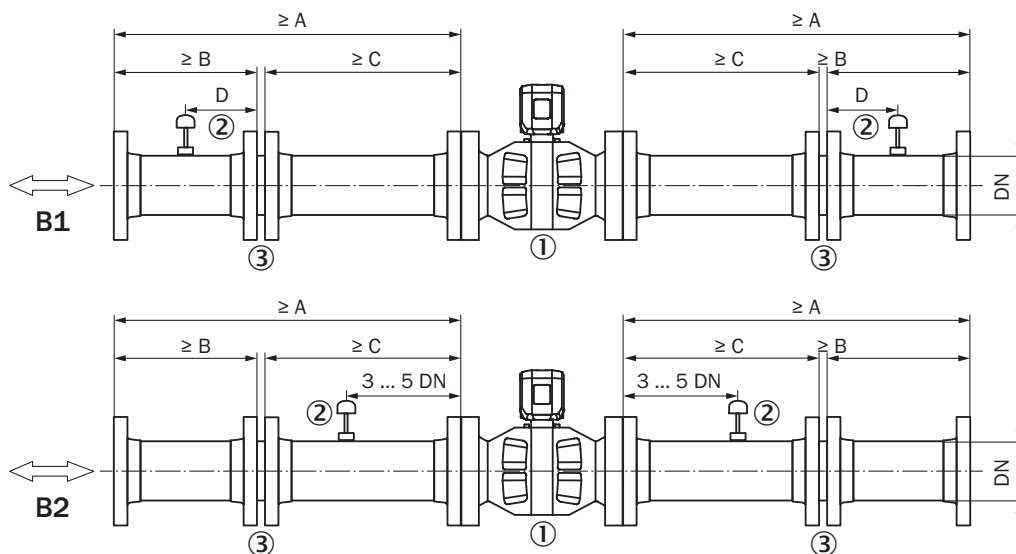
Bidirectional use without flow conditioner (configuration A)



- 1. FLOWSIC600-XT
- 2. Alternative temperature measuring points
- 3. SICK flow conditioner

Configuration 1 (A)		
<b>OIML R137</b>		<b>A</b>
4 measuring paths	Class 1.0	10 DN
8 measuring paths	Class 1.0	5 DN
8 measuring paths	Class 0.5	5 DN
<b>AGA Report 9 3rd Edition, July 2017</b>		<b>A</b>
4 measuring paths	Metering package performance per §6.3 <sup>1</sup>	10 DN
8 measuring paths	Metering package performance per §6.3 <sup>1,2</sup>	5 DN

Fig. 21 Bidirectional use with rectifier (configuration B)



- 1. FLOWSIC600-XT
- 2. Alternative temperature measuring points
- 3. SICK flow conditioner

Variant B1:  $Q_{max} \leq 30 \text{ m/s}$   
 Variant B2:  $Q_{max} \geq 30 \text{ m/s}$



**NOTICE:**

Installation configuration (B) with the flow conditioner refers exclusively to SICK conditioner types (according to SICK documents 9211778 and 9211779). When using conditioner types CPA 50E or 55E, a distance between the conditioner and meter of at least 10DN inlet length must be considered. When other conditioners are used, the installation configuration can be different and must be agreed with SICK.



**NOTICE:**

During operation, it is imperative to use the same flow conditioner as well as the same pipes, in the same orientation as when calibrating the meter. Mark the pipes and flow conditioner to indicate the flange alignment at the time of calibration.

Configuration 2 (B)					
OIML R137		A	B	C	D
4 measuring paths	Class 1.0	5 DN	2 DN	3 DN	1 DN
4 measuring paths	Class 0.5	10 DN	2 DN	8 DN	1 DN
8 measuring paths	Class 1.0/0.5	5 DN	2 DN	3 DN	1 DN
AGA Report 9 3rd Edition, July 2017		A	B	C	D
4 measuring paths	Metering package performance per §6.31.2	10 DN	5 DN	5 DN	2.5 DN <sup>3</sup>
8 measuring paths	Metering package performance per §6.31.2	6 DN	3 DN	3 DN	2.5 DN <sup>3</sup>

[1] Characterized by CPA or SICK flow conditioners.



[2] Better repeatability and linearity is achieved by using a flow conditioner; however, both configurations meet the performance requirements of AGA 9.

[3] Gas meters must be flow calibrated with the inlet and outlet sections used later.



Local requirements to the inlet section may vary.

Installation requirements in accordance with GOST, see document “8020847 Installation Requirements GOST”



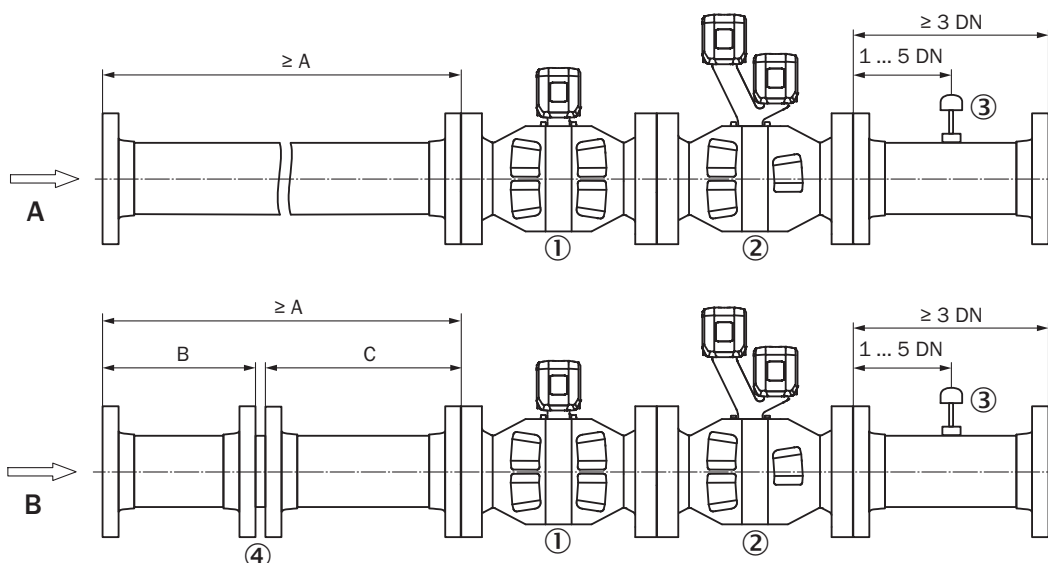
The maximum gas velocity in the pipe is limited to 40 m/s in configurations with flow conditioner.

## Flange-to-flange unidirectional

Fitting the FLOWSIC600-XT for unidirectional flange-to-flange use.

Fig. 22

Unidirectional flange-to-flange use



1. FLOWSIC600-XT (8 paths)
2. FLOWSIC600-XT (4+1 paths)
3. Alternative temperature measuring points
4. SICK flow conditioner



### NOTICE:

Meters must be designed as full-bore devices for a continuous series connection with flange-to-flange mounting of the two gas meters. Likewise, the ultrasonic transducer frequency of both meters must be designed different in order to avoid possible mutual interference. This is particularly true when using SICK and non-SICK device combinations.



### NOTICE:

Installation configuration (B) with the flow conditioner refers exclusively to SICK conditioner types (according to SICK documents 9211778 and 9211779). When using conditioner types CPA 50E or 55E, a distance between the conditioner and meter of at least 10DN inlet length must be considered. When other conditioners are used, the installation configuration can be different and must be agreed with SICK.



### NOTICE:

During operation, it is imperative to use the same flow conditioner as well as the same pipes, in the same orientation as when calibrating the meter. Mark the pipes and flow conditioner to indicate the flange alignment at the time of calibration.

Configuration 1 (A)	
<b>OIML R137</b>	<b>A</b>
Class 1.0	7 DN
Class 0.5	7 DN <sup>2</sup>
<b>AGA Report 9 3rd Edition, July 2017</b>	<b>A</b>
“Metering package performance” according to Appendix C	7 DN

Configuration 2 (B)			
<b>OIML R137</b>	<b>A</b>	<b>B</b>	<b>C</b>
Class 1.0	5 DN	2 DN	3 DN
Class 0.5	7 DN	2 DN	5 DN
<b>AGA Report 9 3rd Edition, July 2017</b>	<b>A</b>	<b>B</b>	<b>C</b>
“Metering package performance” according to Appendix C with CPA 50E	10 DN	5 DN	5 DN

[1] The value increases by 1 DN when using meters with 2D / SD overall length.

[2] Class 0.5 is only achieved for the 8-path meter in this configuration.



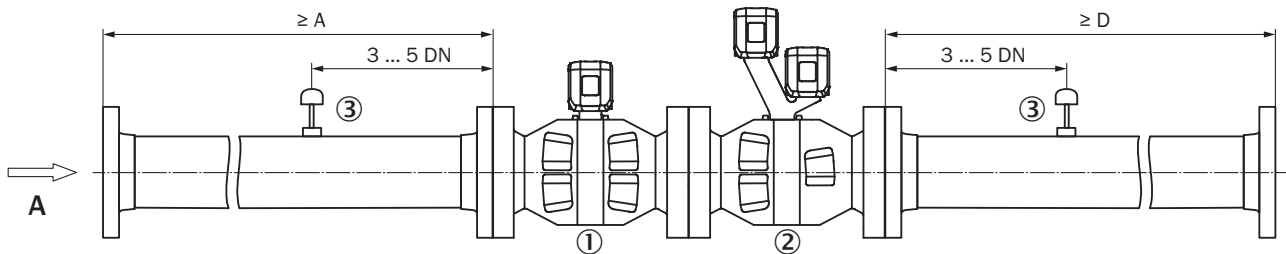
The maximum gas velocity in the pipe is limited to 40 m/s in configurations with flow conditioner.

### Flange-to-flange bidirectional

Fitting the FLOWSIC600-XT for bidirectional flange-to-flange use.

Fig. 23

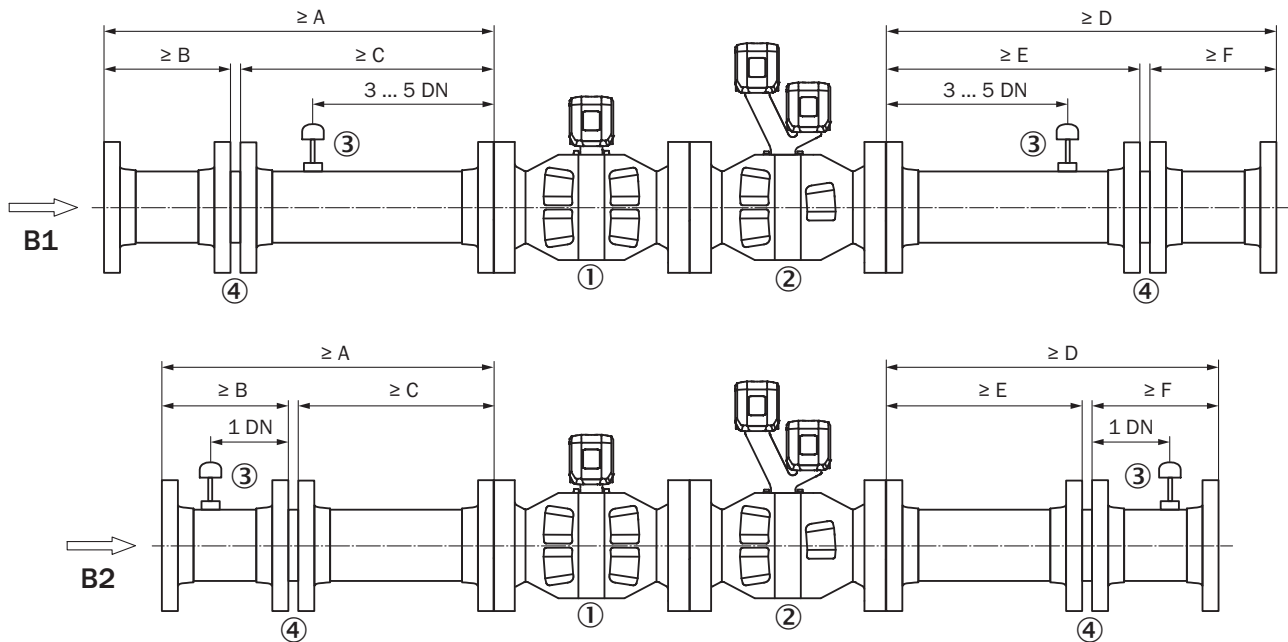
Bidirectional flange-to-flange use without flow conditioner (configuration A)



1. FLOWSIC600-XT (8 paths)
2. FLOWSIC600-XT (4+1 paths)
3. Alternative temperature measuring points

Fig. 24

Bidirectional flange-to-flange use with flow conditioner (configuration B)



1. FLOWSIC600-XT (8 paths)
2. FLOWSIC600-XT (4+1 paths)
3. Alternative temperature measuring points
4. SICK flow conditioner



**NOTICE:**

Installation configuration (B) with the flow conditioner refers exclusively to SICK conditioner types (according to SICK documents 9211778 and 9211779). When using conditioner types CPA 50E or 55E, a distance between the conditioner and meter of at least 5DN inlet length must be considered. When other conditioners are used, the installation configuration can be different and must be agreed with SICK.



**NOTICE:**

During operation, it is imperative to use the same flow conditioner as well as the same pipes, in the same orientation as when calibrating the meter. Mark the pipes and flow conditioner to indicate the flange alignment at the time of calibration.

Configuration 1 (A)		
<b>OIML R137</b>	<b>A</b>	<b>D</b>
Class 1.0	7 DN	10 DN
Class 0.5	7 DN <sup>2</sup>	10 DN <sup>2</sup>
<b>AGA Report 9 3rd Edition, July 2017</b>	<b>A</b>	<b>D</b>
“Metering package performance” according to Appendix C with CPA 50E	7 DN	10 DN

Configuration 2 (B1)						
<b>OIML R137</b>	<b>A</b>	<b>B</b>	<b>C</b>	<b>D</b>	<b>E</b>	<b>F</b>
Class 1.0	5 DN	2 DN	3 DN	5 DN	3 DN	2 DN
Class 0.5	7 DN	2 DN	5 DN	10 DN	8 DN	2 DN
<b>AGA Report 9 3rd Edition, July 2017</b>	<b>A</b>	<b>B</b>	<b>C</b>	<b>D</b>	<b>E</b>	<b>F</b>
“Metering package performance” according to Appendix C with CPA 50E	10 DN	5 DN	5 DN	10 DN	5 DN	5 DN

Configuration 2 (B2)						
<b>OIML R137</b>	<b>A</b>	<b>B</b>	<b>C</b>	<b>D</b>	<b>E</b>	<b>F</b>
Class 1.0	6 DN	2 DN	4 DN	6 DN	4 DN	2 DN
Class 0.5	7 DN	2 DN	5 DN	10 DN	8 DN	2 DN
<b>AGA Report 9 3rd Edition, July 2017</b>	<b>A</b>	<b>B</b>	<b>C</b>	<b>D</b>	<b>E</b>	<b>F</b>
“Metering package performance” according to Appendix C with CPA 50E	10 DN	5 DN	5 DN	10 DN	5 DN	5 DN

[1] The value increases by 1 DN when using meters with 2D / SD overall length.

[2] Class 0.5 is only achieved for the 8-path meter in this configuration.



The maximum gas velocity in the pipe is limited to 40 m/s in configurations with flow conditioner.

## 3.3.4.2

**Fitting the FLOWSIC600-XT in the pipeline**

- 1 Use the lifting gear to position the FLOWSIC600-XT in the desired location in the pipeline.
- 2 Lead the pipelines free of tension to the device being fitted.
- 3 Check for correct seating and alignment of the flange gaskets after installing the flange bolts, but prior to tightening. The gaskets must not project into the area through which the gas flows.
- 4 Align the FLOWSIC600-XT so that the offset of the inner diameters (bore) between inlet section, meter body and outlet section is as small as possible.
- 5 Insert the remaining fastening bolts and tighten the nuts cross-wise. The tightening torque applied must not be lower than specified in the project planning.
- 6 Fit the pressure sensing line between the pressure tap and pressure transmitter.
- 7 Slowly increase the pressure in the pipeline.

**NOTICE: Observe allowed pressure change**

The pressure change within the measuring section must not exceed 0.5 MPa/min in order to protect ultrasonic transducers and seals.

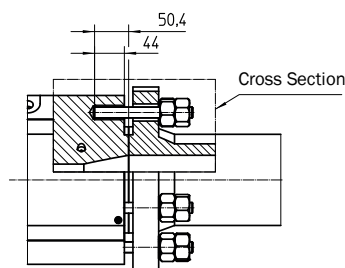
- 8 Carry out a leak tightness check on the pipeline (in accordance with the pipeline manufacturer's specifications). In case of a water pressure test in the installation, see Section 3.2.3 "Hydrostatic test in the installation" for further information.



The FLOWSIC600-XT meter body in the nominal widths DN80/3" or DN100/4" (interchangeable) is flangeless with a blind hole thread. The hole pattern corresponds to the DIN or ANSI standard, depending on the design.

Fig. 25

Borehole diagram



The threaded bolt is to be screwed through the washer of the connection pipe into the blind hole thread of the meter body and fixed with a lock nut. Observe the maximum screw-in depth. (see Table "Mounting sets")

Table 3 Mounting sets

Nominal size [inch]	Pressure levels	Flange sealing surface to thread base clearance	Part	SICK Part No.
3	CL150	34	Mounting set BZ 3" A0150RF B7/2H VZ3.1	2096366
3	CL300	40	Mounting set BZ 3" 300/600 4"300 B7/2H VZ3.1	2096372
3	CL600	45		
4	CL300	40		
3	PN016	35	Mounting set BZ 3" PN16/25/40 4"PN16 VZ3.1	2096373
3	PN025	35		
3	PN040	35		
4	PN010/16	35		
4	PN025/40	43	Mounting set BZ 3" PN63/4"PN25 40 5.6 VZ3.1	2096374
3	PN016	43		
4	CL150	34	Mounting set BZ 4" A0150RF B7/2H VZ3.1	2096371
4	CL600	50,4	Mounting set BZ 4" A0600RF B7/2H VZ3.1	2096375
4	PN063	51	Mounting set BZ 4" PN063b! 5.6 VZ3.1	2096376

### 3.3.5 Signal Processing Unit alignment

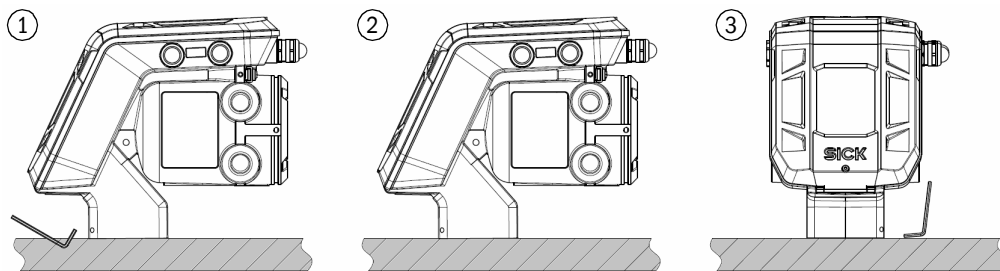
The Signal Processing Unit can be rotated for the best possible view on the display and safe cable routing

(→ Fig. 26). A stop on the housing prevents the Signal Processing Unit from being turned by more than 330°:

- 1 Loosen the three screws on the meter body with an SW 3 Allen key.
- 2 Turn the meter body to the desired position.
- 3 Retighten the three screws on the meter body neck that were previously loosened (5Nm).

Fig. 26

Signal Processing Unit alignment





### 3.4 Electrical installation

#### 3.4.1 Requirements for use in potentially explosive atmospheres

The FLOWSIC600-XT is as suitable for use in potentially explosive atmospheres classified in Zone 1 and Zone 2.

##### IECEX

Ex db ia op is [ia Ga] IIA /IIC T4 Gb

Ex db eb ia op is [ia Ga] IIA/IIC T4 Gb

Ex ia op is IIA/IIC T4 Ga

Ex nA ia op is IIC T4 Gc

##### ATEX

II 2 (1) G Ex db ia op is [ia Ga] IIA /IIC T4 Gb

II 2 (1) G Ex db eb ia op is [ia Ga] IIA/IIC T4 Gb

II 1G Ex ia op is IIA/IIC T4 Ga

II 3G Ex nA ia op is IIC T4 Gc

##### NEC/CEC (US/CA)

Explosion-proof/non-flammable:

CI I, Div. 1 Group D, T4 / Ex d ia [ia Ga] IIA T4 Gb / CI I, Zone 1 AEx d ia op is [ia Ga] IIA T4 Gb

CI I, Div. 2 Groups A, B, C, D, T4 / Ex ia nA IIC T4 Gc / CI I Zone 2, AEx ia nA op is IIC T4 Gc

CI I, Div. 1 Groups B, C, D, T4 / Ex d ia [ia Ga] IIC T4 Gb / CI I, Zone 1 AEx d ia op is [ia Ga] IIC T4 Gb

CI I, Div. 2 Groups A, B, C, D, T4 / Ex ia nA IIC T4 Gc / CI I, Zone 2, AEx ia nA op is IIC T4 Gc

Intrinsically safe:

CI I, Div. 1 Group D T4 / Ex ia IIA T4 Ga / CI I, Zone 0, AEx ia op is IIA T4 Ga

CI I, Div. 1 Groups A, B, C, D, T4 / Ex ia IIC T4 Ga / CI I, Zone 0, AEx ia op is IIC T4 Ga

Non-flammable:

CI I, Div. 2, Groups A, B, C, D, T4 / Ex ia nA IIC T4 Gc / CI I Zone 2, AEx ia nA op is IIC T4 Gc

- Ambient temperature:  $-40^{\circ}\text{C} < T_{\text{amb}} < 70^{\circ}\text{C}$ , restricted range, see type plate on Signal Processing Unit
- Process temperature:  $-46^{\circ}\text{C} < T_{\text{gas}} < 180^{\circ}\text{C}$ , restricted range, see type plate on Signal Processing Unit



##### **NOTICE:**

The rise in the ambient temperature outside the pipeline due to a hot pipeline must be taken into account.

The user must ensure the ambient temperature around the electronics housing does not exceed the maximum permitted ambient temperature specified on the FLOWSIC600-XT type plate.

### General requirements for installation

- ▶ The documentation for hazardous area classification (zone classification) according to EN/IEC60079-10 must be available.
- ▶ The equipment must be verified as suitable for use in the classified area.
- ▶ After installation, an initial test run of the complete equipment and the plant must be performed according to EN/IEC60079-17 before regular operation is started.



#### **WARNING: Ignition hazard through electrostatic discharges**

- ▶ The plastic display surface exceeds the allowable value for ignition group IIC. The user must take suitable precautionary measures to eliminate the risk of ignition through electrostatic discharges.
- ▶ The paint coat thickness on the surfaces on the meter body and electronics housing accessible from the outside exceeds the allowable thickness for ignition group IIC. The user must take suitable precautionary measures to eliminate the risk of ignition through electrostatic discharges.
- ▶ A label on the meter body and on the electronics housing draws attention to the possible electrostatic charge.
- ▶ Under certain extreme circumstances, the non-metallic parts incorporated in the enclosure may generate an ignition-capable level of electrostatic charge.
  - Therefore the FLOWSIC600-XT must not be installed in a location where the external conditions are conducive to the build-up of electrostatic charge on such surfaces.
  - In addition, the equipment must only be cleaned with a damp cloth. This is particularly important when the FLOWSIC600-XT is installed in a zone 0 location. (See clause 7.4.2 of EN 60079-0) (See § 7.4.2 EN 60079-0)



#### **WARNING: Risk of explosion**

- ▶ In the exclusively intrinsically safe variant of the FLOWSIC600-XT, the ultrasonic transducers may only be connected and disconnected by SICK Service when under voltage. Safe separation among themselves and from other non-intrinsically safe power circuits must always be ensured so as not to endanger the intrinsic safety. An uncontrolled movement of the disconnected transducer cable should therefore be prevented.  
In all other variants of FLOWSIC600-XT, the ultrasonic transducers may only be connected and disconnected when under voltage only when this is specified by the device identification. The identification must contain as a minimum the specification [ia Ga] whereby this is applicable only for the danger area concerned as well as the specified ignition group.
- ▶ Opening the enclosure and removing the cover caps for the ultrasonic transducers when under voltage is not allowed (exception: under the conditions already described).
- ▶ The display cover may be opened during operation, for example, in order to swap the battery.

**WARNING: Risk of ignition through impacts or friction**

The ultrasonic transducers of FLOWSIC600-XT are made from titanium. The meter body and part of the electronic enclosure may be made from aluminium.

In rare cases, ignition sources due to impact and friction sparks could occur.

- ▶ The user must ensure that the electronic housing, the meter body and the ultrasonic transducers are suitably protected against danger from impact or friction.

This is particularly important when the FLOWSIC600-XT is installed in a zone 0 location (see clause 8.3 EN 60079-0).

**WARNING: Ignition hazard through impacts**

The maximum piezoelectric energy that can be released through impacts on the ultrasonic transducers exceeds the limit for Gas group IIC specified in §10.7 of EN60079-11:2012.

- ▶ The user must ensure the ultrasonic transducers are protected adequately against hazards caused by impacts.

**NOTICE:**

- ▶ The FLOWSIC600-XT does not withstand the insulation test described in § 6.3.13 EN 60079-11:2012 (apart from the electrically isolated inputs and outputs). See → p. 57, §3.4 and → p. 132, §9.1 “Connection diagrams for operation of the FLOWSIC600-XT in accordance with ATEX/IECEx” or → p. 141, §9.2 “Connection diagrams for operation of the FLOWSIC600-XT in accordance with CSA” for correct electric installation.

- ▶ Contact the manufacturer when you need the dimension specifications for the flameproof joints. (See §5.1 EN 60079-1).

- ▶ The exchangeable backup battery and its electric connections are rated as intrinsically safe according to IEC/EN 60079-11:2011. The backup battery may also be used in the non-intrinsically safe FLOWSIC600-XT versions whereby the exchange can also be made in the danger area.

- ▶ The FLOWSIC600-XT with intrinsically safe inputs and outputs (Exia version) contains a shunt Zener diode barrier. Grounding the FLOWSIC600-XT must satisfy the requirements for grounding intrinsically safe power circuits in compliance with IEC 60079-14.

- ▶ When 3/4" NPT cable inlets are used, components screwed in, e.g. cable glands, must be installed in the grip with at least 5 thread turns and tightened with a minimum torque of 90 Nm (67 lbf ft). Use additional suitable sealants, e.g. PTFE sealing tape, to attain IP protection class IP 66 or IP 67.

**Operating conditions for ultrasonic transducers**

The FLOWSIC600-XT is designed solely for use under normal atmospheric conditions in potentially explosive atmospheres. The atmospheric conditions must be within the following ranges:

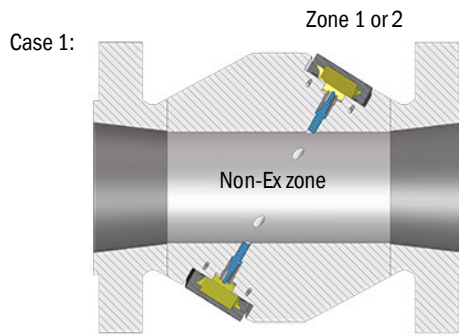
- Ambient pressure range 80 kPa (0.8 bar) to 110 kPa (1.1 bar)
- Air with normal oxygen content, normally 21 percent by volume
- Maximum operating altitude 2,000 mNN

The ambient temperature must be within the range specified on the Signal Processing Unit type plate.

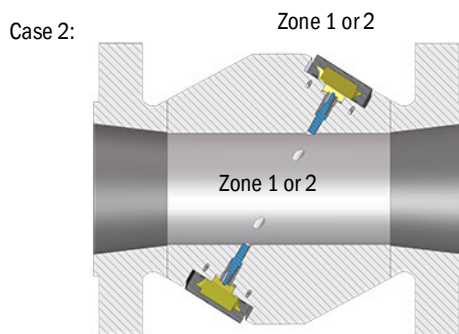
The meter body becomes part of the pipeline as soon as the FLOWSIC600-XT is installed in the pipeline. The wall of the pipeline and the meter body are then deemed a zone-separating barrier. The figure below helps in understanding the different situations for a possible application and shows which operating conditions apply.

Fig. 27

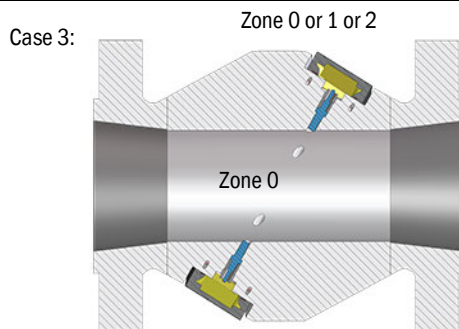
Ex zones



- The pipeline contains a non-explosive mixture. The gas mixture can be combustible.
- Gas pressure and gas temperature may be within the range specified by the tag on the meter body.



- The area inside the pipeline is classified as potentially explosive atmosphere Zone 1 or 2.
- Gas pressure must be in the range from 80 kPa (0.8 bar) to 110 kPa (1.1 bar) (normal atmospheric conditions).
- Gas temperature must be within the permitted ambient temperature range specified by the type plate on the Signal Processing Unit.



- The area inside the pipeline is classified as potentially explosive atmosphere in Zone 0.
- Gas pressure must be in the range from 80 kPa (0.8 bar) to 110 kPa (1.1 bar) (normal atmospheric conditions).
- Gas temperature must be within the permitted ambient temperature range specified by the type plate on the Signal Processing Unit.

**Additional requirements for operation of ultrasonic transducers in Zone 0 classified areas**

FLWSIC600-XT is either available in the completely intrinsically safe variant and is identified with device protection level Ga after the temperature class or the identification contains, among others [ia Ga], which identifies the intrinsically safe control of the ultrasonic transducers.

**Operation of ultrasonic transducers in Zone 0**

The ultrasonic transducers are suitable for operation in Zone 0 at atmospheric conditions, i.e. ambient temperature -40 °C to 70 °C and ambient pressure 0.8 bar to 1.1 bar(a).

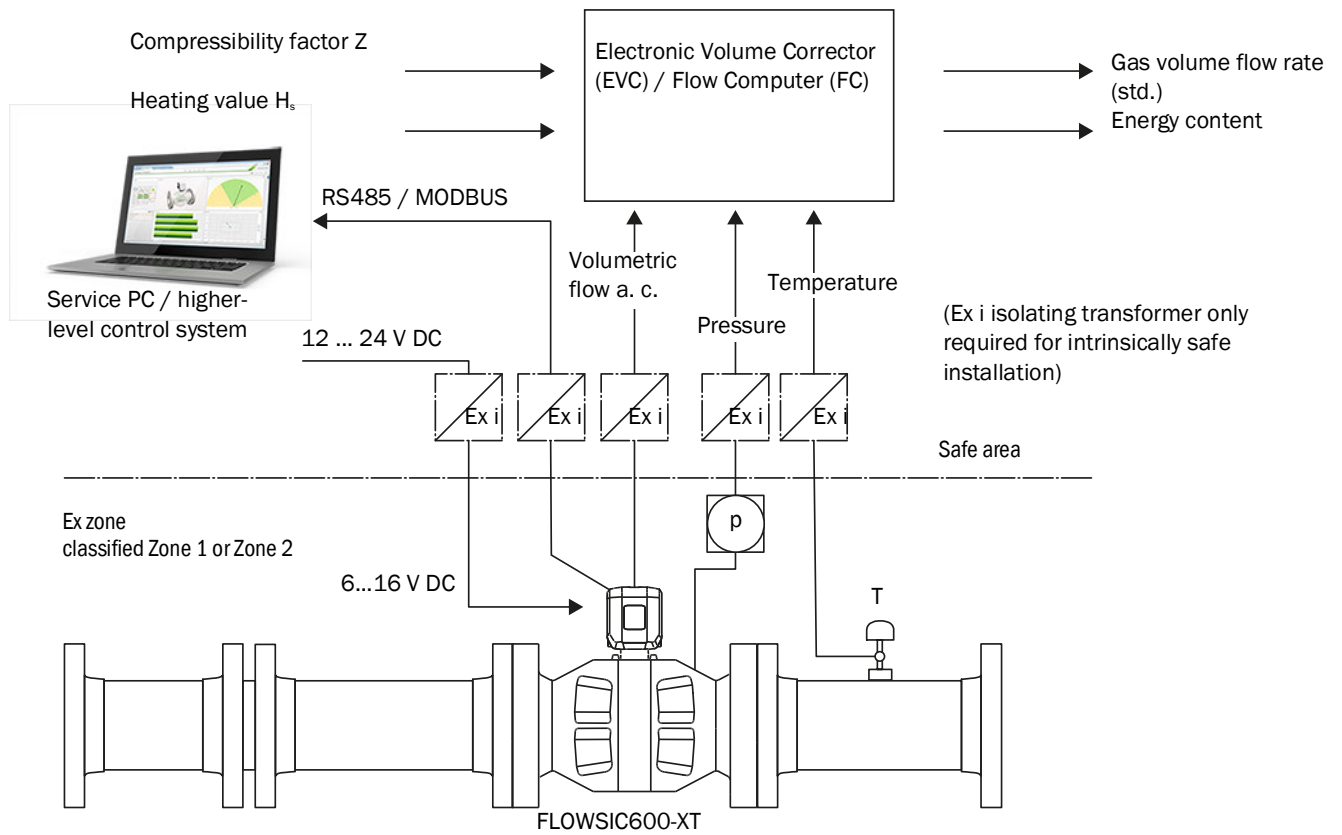
If ultrasonic transducers with titanium housing are to be used in Zone 0, it must be assured that the medium does not transport solid parts (like dust or other particles) which could cause an ignition hazard. Otherwise, transducers made from stainless steel must be used.

Subject to change without notice

After installation and following every de-installation and reinstallation of the ultrasonic transducers, the leak tightness must be appropriately checked. During operation, the leak tightness must be periodically checked and the seals replaced if necessary. After de-installation and before every reinstallation the seals must be replaced according to the original assembly. Seals can be ordered from SICK (part number and serial number from type plate at Signal Processing Unit).

3.4.2 General connection of the FLOWSIC600-XT

Fig. 28 Connection diagram FLOWSIC600-XT



Subject to change without notice

### 3.4.3 Criteria for electrical connection

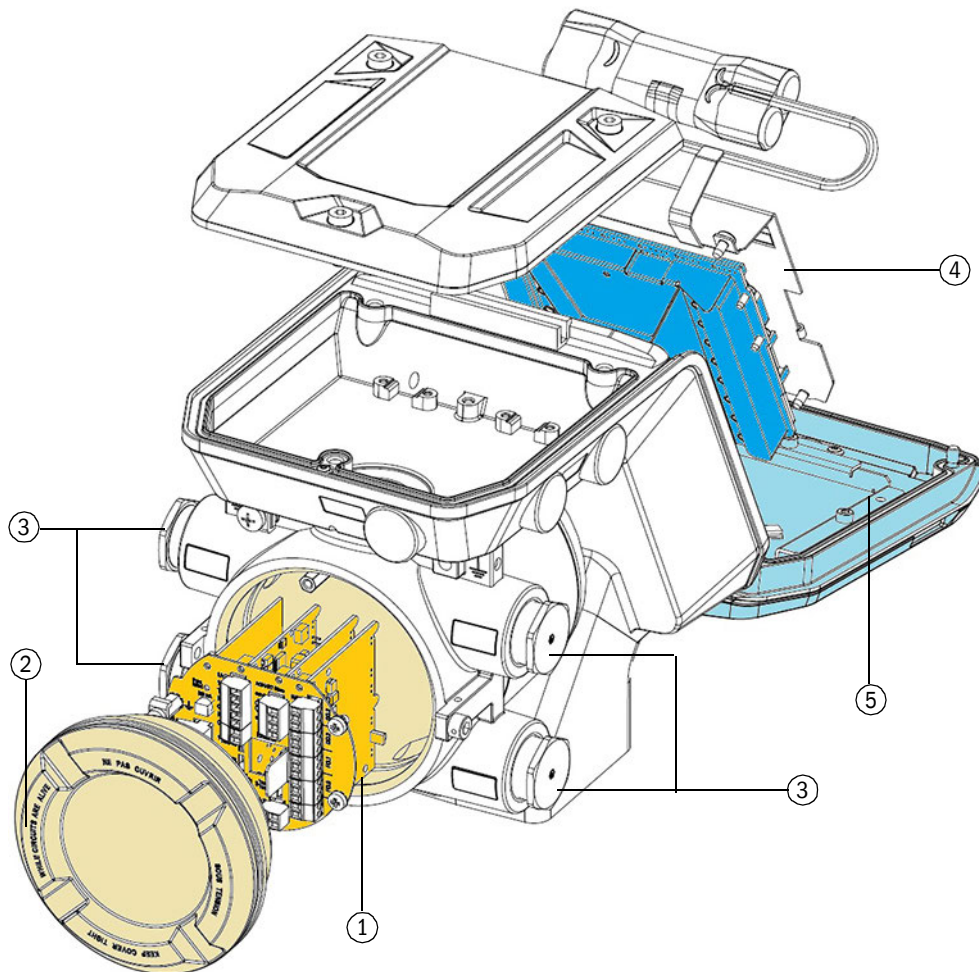
Installation work → p. 42, §3.3 must be completed.

### 3.4.4 Electrical connections

The Signal Processing Unit enclosure of the FLOWSIC600-XT comprises a flameproof enclosure and an adjacent separate chamber. With Ex-e wiring (→ Fig. 30), the Ex-d inputs and outputs run through a line duct to the Ex-e terminals in the Ex-e terminal compartment.

Fig. 29

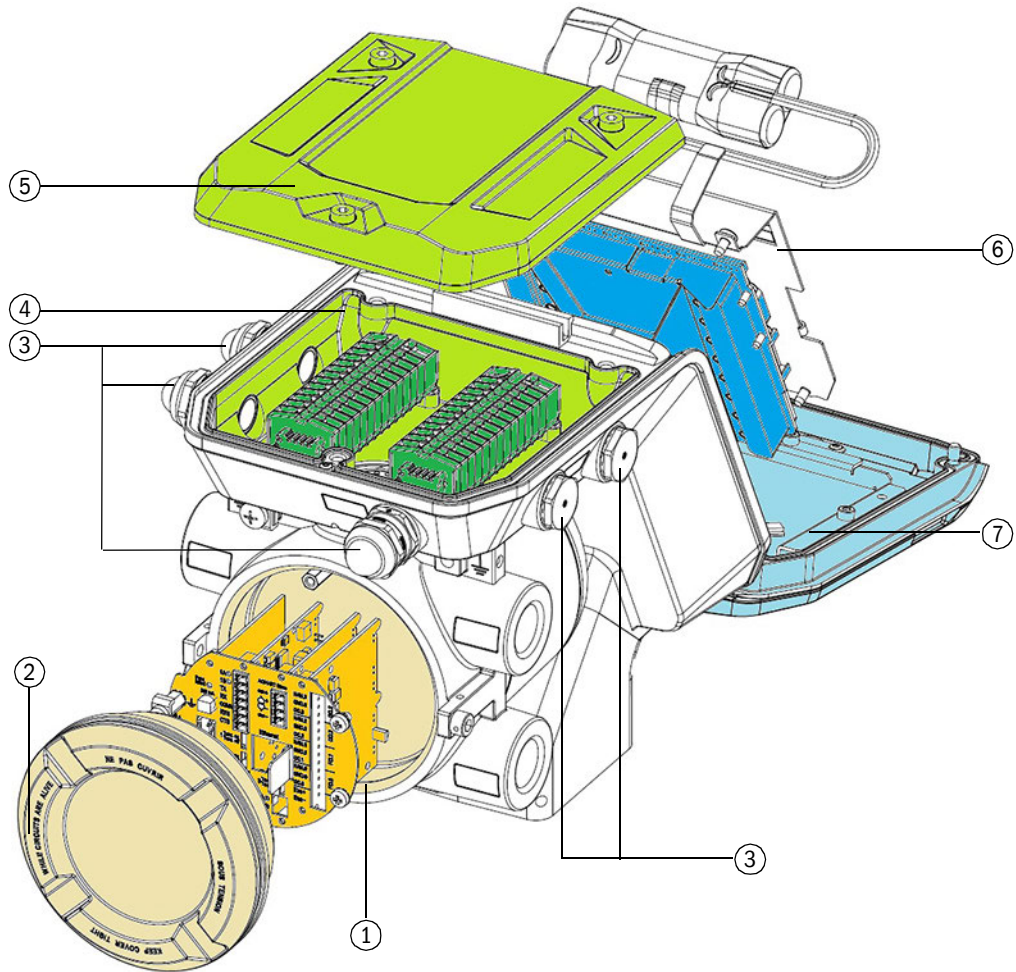
Ex-d enclosure version



- 1 Flameproof enclosure with I/O electronics
- 2 Ex-d terminal compartment cover
- 3 Cable gland (4 xM25 or 3/4" NPT), with flameproof sealing plug;  
cable ducts must be ordered separately or provided by the customer
- 4 Ex-i transducer electronics with cover and backup battery
- 5 Display unit



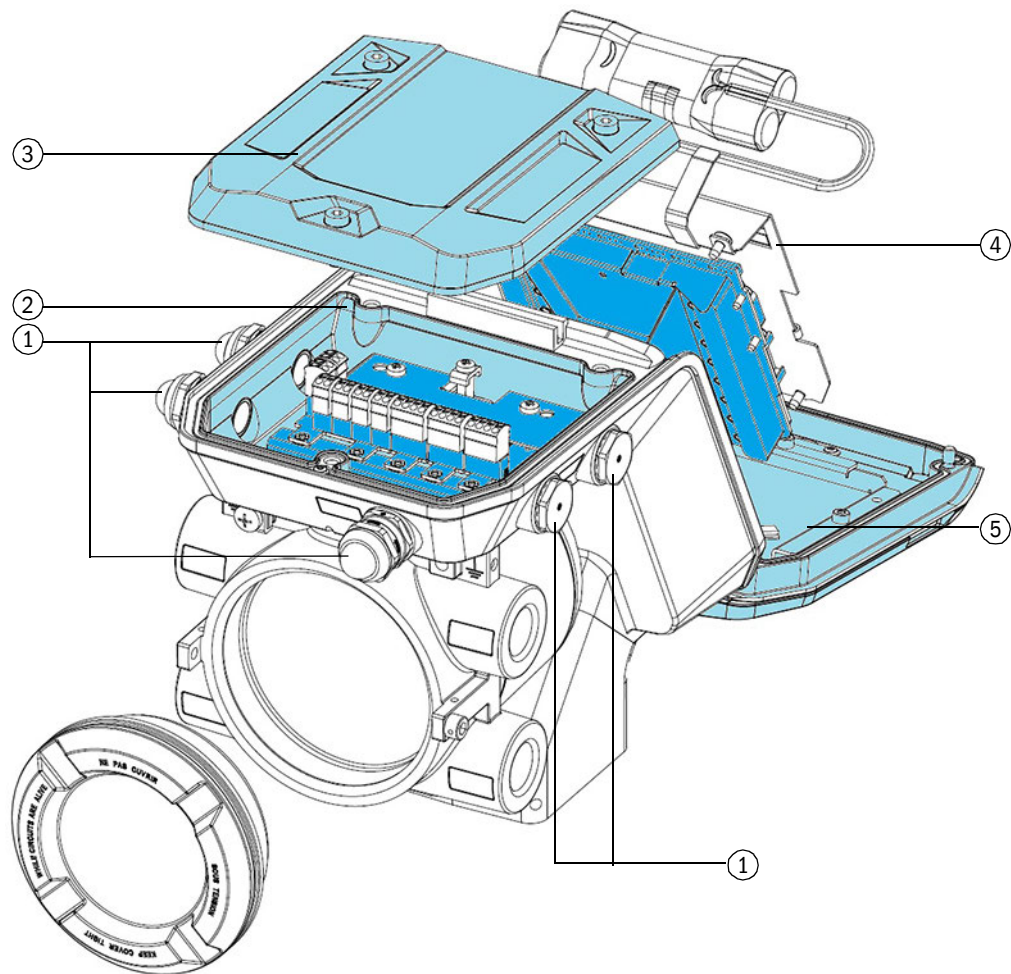
Fig. 30 Ex-de enclosure version



- 1 Flameproof enclosure with I/O electronics
- 2 Ex-d terminal compartment cover
- 3 Cable gland (5x M20 or 1/2" NPT)
- 4 Ex-e terminal compartment
- 5 Ex-e terminal compartment cover
- 6 Ex-i transducer electronics with cover and backup battery
- 7 Display unit

Fig. 31

Ex-i enclosure version



- 1 Cable gland (5x M20 or 1/2" NPT)
- 2 Ex-i terminal compartment
- 3 Ex-i terminal compartment cover
- 4 Ex-i transducer electronics with cover and backup battery
- 5 Display unit

### 3.4.5 Available input/output configurations

See the model name on the type plate for the interface configuration:

Fig. 32

Model name (example)

F6A	-	4P	3D	08	-	EA	1A	-	T218
-----	---	----	----	----	---	----	----	---	------

I/O Configuration / Data Interfaces

► Complete description of the model name, see → p. 161, §9.6.

Table 4 Available input/output configurations

Model name code	DO.0 Status Output 1	DO.1 Status Output 2	FO.2 Pulse Output 1	FO.3 Pulse Output 2	RS485.1	RS485.2	RS485.3	Ethernet	AO Analog Output	Encoder	HART p/T Modules
<i>Intrinsically safe Version (Ex i)</i>											
1A	x	x	x	x	x	x	x				
1J	x	x	x	x	x	x				x	
2A	x	x	x	x	x		x				x
<i>Flameproof enclosure / increased type of protection (Ex d / e)</i>											
1B	x	x	x	x	x	x	x		x		
1D	x	x	x	x	x	x			x	x	
1E	x	x	x	x	x	x		x	x		
1L	x	x	x	x	x	x					
2B	x	x	x	x	x				x		x
2D	x	x	x	x	x				x	x	x
2E	x	x	x	x	x			x	x		x

## 3.4.6

**Cable specifications****NOTICE: Requirements on cables and installation**

- ▶ Pay attention to the requirements in EN 60079-14 when selecting the cables and during installation!
- ▶ FLOWSIC600-XT must be grounded according to EN 60079-14.
- ▶ Further legal requirements must be observed for use in explosive atmospheres.
- ▶ Because of the danger of crosstalk, switching signals and the data signals of the RS485 should not be routed in a cable with a common shield.

**Power supply 6 ... 16 V DC (Ex i) / 12 ... 24 V DC (Ex d/de)**

	Specification	Remark
Type of cable	2 wires <sup>1)</sup>	Connect shielding (if present) to ground terminal
Min./ max. cross-section	Ex i: 0.25 mm <sup>2</sup> / 1 mm <sup>2</sup> ; 1.5 mm <sup>2</sup> without wire end (24 / 18 AWG; 16 AWG without wire end)  Ex d/de: 0.5 mm <sup>2</sup> / 2.5 mm <sup>2</sup> (20 / 12 AWG)	
Maximum cable length	Depending on loop resistance; minimum input voltage must be 6V DC with Ex i and 12V DC with Ex d/de	Note for Ex i when safety barriers are used: The cable length is limited to 75 m for ignition group IIC
Cable diameter	6 ... 12 mm	Fixing range of the cable glands

<sup>1)</sup> OZ-BL-CY 2x1.5 mm<sup>2</sup> is only suitable for the power supply of the FLOWSIC600-XT.

**Digital output, current output, encoder, pressure and temperature sensors**

	Specification	Remark
Type of cable	Twisted pair, per switching output, <sup>2)</sup> common shield	Connect shield to ground terminal
Min./ max. cross-section	2 x 0.5 mm <sup>2</sup> / 1 mm <sup>2</sup> (20-18 AWG)	Do not connect unused conductor pairs and prevent them from accidental short-circuit
Maximum cable length	Loop resistance: ≤ 250 Ohm	
Cable diameter	6 ... 12 mm	Fixing range of the cable glands

<sup>2)</sup> RE-2Y (St)Yv with n x 2 x 0.5 mm<sup>2</sup> (n pairs) is suitable for transmitting the switching signals.

**Serial port (RS485)**

	Specification	Remark
Type of cable	Twisted pair, shielded, <sup>3)</sup> cable impedance approx. 100 ... 150 Ω low cable capacitance: ≤100 pF/m	Connect shield to ground terminal
Min./ max. cross-section	2 x 0.5 mm <sup>2</sup> / 1 mm <sup>2</sup> (20-18 AWG)	Do not connect unused conductor pairs and prevent them from accidental short-circuit
Maximum cable length	300 m at 0.5 mm <sup>2</sup> 500 m at 0.75 mm <sup>2</sup>	
Cable diameter	6 ... 12 mm	Fixing range of the cable glands

<sup>3)</sup> RE-2Y (St)Yv with n x 2 x 0.5 mm<sup>2</sup> (n pairs) is suitable for transmitting the RS485 signals including the RS485 auxiliary voltage.

**Ethernet**

	Specification	Remark
Type of cable	Cat 5 or higher	

3.4.7

**Checking the cable loops**

Check the cable loops to verify that the cables are connected correctly.

- ▶ Disconnect both ends of the cable of the loop to be tested. This is to prevent connected devices from interfering with the measurement.
- ▶ Test the entire cable loop between Signal Processing Unit and terminal device by measuring the loop resistance.
- ▶ To test the insulation resistance as well, the cables must be disconnected from the electronic module before using the insulation resistance tester.



**WARNING: Risk of explosion**

- ▶ In non-intrinsically safe installations, the terminal boxes may only be opened if the system is disconnected from the power supply.
- ▶ In non-intrinsically safe installations, the cables may only be disconnected if the system is disconnected from the power supply.
- ▶ The terminal compartment cover must only be opened if the system is disconnected from the power supply and only 10 minutes or more after the system has been switched off, or the area is known to be non-hazardous.



**NOTICE:**

- Applying test voltage to the cables before disconnecting them from the electronics module can seriously damage the electronics module.
- ▶ Reconnect all cables after the loop resistance test.



**NOTICE:**

Incorrect cabling may cause failure of the FLOWSIC600-XT! This will invalidate warranty claims. The manufacturer assumes no liability for consequential damage.

### 3.4.8 Connection parameters of inputs and outputs

#### 3.4.8.1 Safety-relevant parameters Ex-i



**NOTICE:**

The FLOWSIC600-XT with intrinsically safe inputs and outputs (Ex ia version) contains a shunt Zener diode barrier. Grounding the FLOWSIC600-XT must satisfy the requirements for grounding intrinsically safe power circuits in compliance with IEC 60079-14.



For intrinsically safe installation of FLOWSIC600-XT measurement devices, SICK recommends the use of the SICK FLPS multibarrier as multi-channel supply and input isolation amplifier.

Part Nos.: 2098122 and 2098136 (with Ethernet)

For more information, see the “SICK FLPS Multibarrier” Operating Instructions

Table 5 Safety-relevant parameters Ex-i

Model name code	Safety-relevant parameters according to ATEX/IECEx	Safety-relevant parameters according to CSA
<b>1A</b>	→ Fig. 63, → p. 132	→ Fig. 72, → p. 141
<b>1J</b>	→ Fig. 64, → p. 133	→ Fig. 73, → p. 142
<b>2A</b>	→ Fig. 65, → p. 134	→ Fig. 74, → p. 143

## 3.4.8.2 Connection parameters Ex-d and Ex-e

**NOTICE: Safety-relevant parameters Ex-i**

The connection parameters in → Table 6 do not apply for the Ex-i installation. Safety-relevant parameters for Ex-i installation, see → p. 132, §9.1 for installation according to ATEX/IECEX and → p. 141, §9.2 for installation according to CSA.

Table 6 Connection parameters Ex-d and Ex-e

	Ex-d (→ p. 73)	Ex-e (→ p. 75)	Connection parameters
Power supply	Power	1 + 2	10.8 ...26.4 VDC, max. 400 mA
Switching outputs	DO.0/FO.0	13+14	Open Collector, max. 30 VDC, max. 50 mA, switching frequency DC ...10 kHz, recommended switching current $2 \text{ mA} < I_c < 20 \text{ mA}$ , load resistance $R_{load} = U / I_c$ , alternative NAMUR characteristic
	DO.1/FO.1	15+16	
	DO.2	17+18	
	DO.3	19+20	
Encoder	Encoder	9+10	NAMUR, 1.2 kbit/s, UART protocol 7E1
Active current output	AO	5-8	24 VDC, 3.6 ...24 mA, alternative external auxiliary voltage max. 30 V,
Pressure and temperature sensor system	pT (HART Master)	3+4 <sup>[1]</sup>	24 VDC, max. 24 mA,
RS485	RS485.1	21+22 <sup>[1]</sup>	EIA-485, max. 57.6 kbit/s, termination 150 Ohm switchable Configuration of the RS485.1 interface at the factory: - Protocol type: MODBUS-RTU - Modbus configuration: FL600XT (standard) - Baud rate: 38,400 baud - Bit protocol: 8N1
	RS485.2	3+4 <sup>[1]</sup>	
	RS485.3	9+10 <sup>[1]</sup>	
Ethernet	Ethernet	9-12 <sup>[1]</sup>	10/100 Mbit/s, protocol Modbus TCP

[1] If configured

Configuration options and power input of possible configurations, see → p. 158, §9.4.

## 3.4.8.3

**Ex-d terminal compartment****Open the Ex-d terminal compartment**

- 1 Loosen the securing screw on the Ex-d terminal compartment cover with an SW5 Allen key. Ensure the tip of the screw no longer extends into the groove of the cover.



- 2 Unscrew the terminal compartment cover. To loosen the cover, position a suitable tool (e. g. the shaft of a ring spanner) in the provided recesses in the cover.

**Closing the Ex-d terminal compartment**

- 1 Make sure that the threads are clean. Grease the threads with an assembly paste as required.
- 2 Screw the terminal compartment cover back on handtight. Do not use a tool for this work step.



- 3 Tighten the securing screw on the Ex-d terminal compartment cover with an SW5 Allen key until the tip of the screw slightly enters the material of the cover.

Do not operate the device without the securing screw!

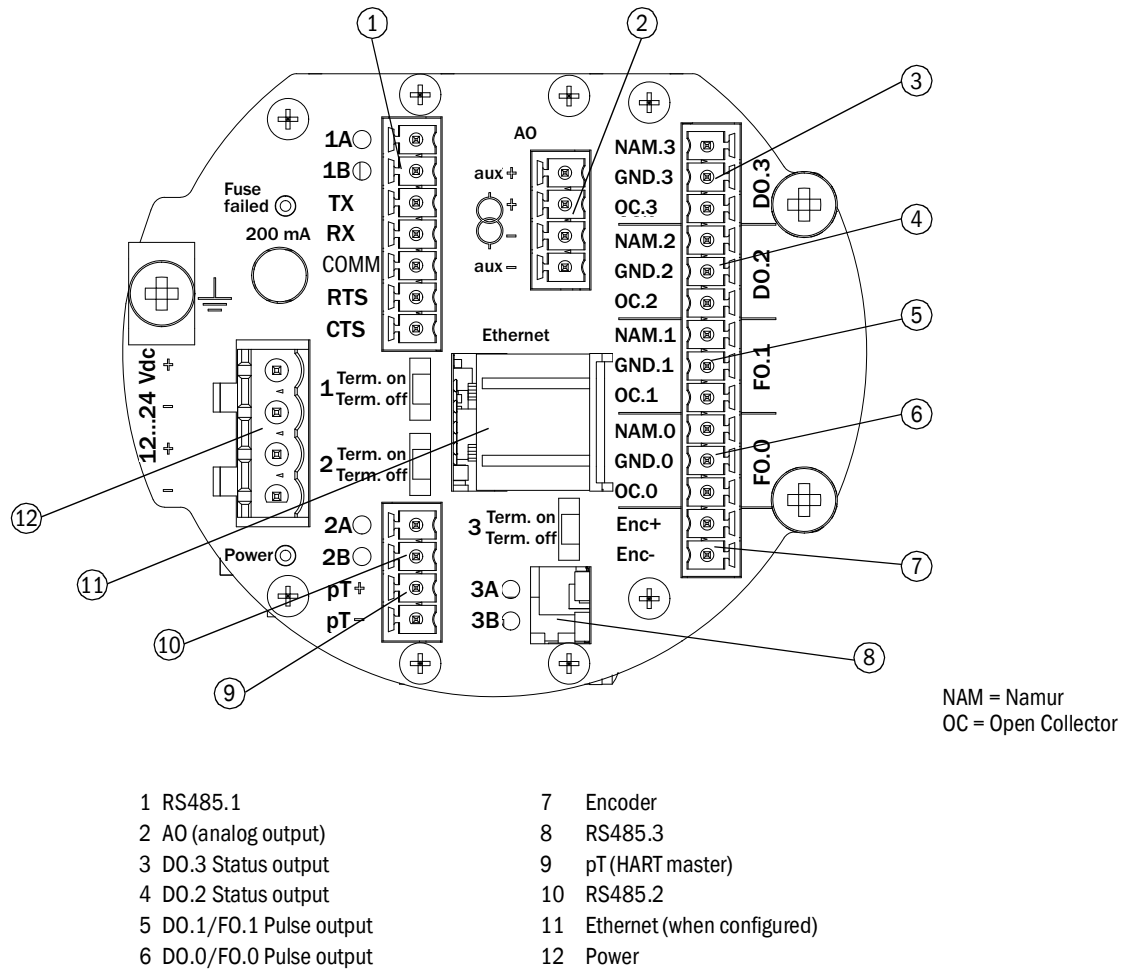




### Terminal assignment Ex-d terminal compartment

► Connection parameters, see → p. 71, §3.4.8.2.

Fig. 33 Terminal assignment Ex-d terminal compartment



- |                          |                               |
|--------------------------|-------------------------------|
| 1 RS485.1                | 7 Encoder                     |
| 2 AO (analog output)     | 8 RS485.3                     |
| 3 DO.3 Status output     | 9 pT (HART master)            |
| 4 DO.2 Status output     | 10 RS485.2                    |
| 5 DO.1/FO.1 Pulse output | 11 Ethernet (when configured) |
| 6 DO.0/FO.0 Pulse output | 12 Power                      |

## 3.4.8.4

**Ex-e terminal compartment****Opening the Ex-e terminal compartment**

- 1 Loosen the 3 screws (captive) of the Ex-e terminal compartment cover with an SW4 Allen key.



- 2 Put the terminal compartment cover in the holder provided.

**Closing the Ex-e terminal compartment**

- 1 Ensure the sealing area is free from contamination.
- 2 Position the cover on the Ex-e terminal compartment.
- 3 Tighten the 3 screws (captive) of the Ex-e terminal compartment cover with an SW4 Allen key (torque 5 Nm).



**Terminal assignment Ex-e terminal compartment**

Fig. 34 Terminal assignment Ex-e terminal compartment

Without Ethernet				With Ethernet							
Vdc +		<b>1</b>	<b>13</b>	OC.0	NAM.0	Vdc +	<b>1</b>	<b>13</b>	OC.0	NAM.0	
Vdc -		<b>2</b>	<b>14</b>	GND.0		Vdc -	<b>2</b>	<b>14</b>	GND.0		
pT +	2A	<b>3</b>	<b>15</b>	OC.1	NAM.1	pT +	2A	<b>3</b>	<b>15</b>	OC.1	NAM.1
pT -	2B	<b>4</b>	<b>16</b>	GND.1		pT -	2B	<b>4</b>	<b>16</b>	GND.1	
aux +		<b>5</b>	<b>17</b>	OC.2	NAM.2	aux +		<b>5</b>	<b>17</b>	OC.2	NAM.2
⊕		<b>6</b>	<b>18</b>	GND.2		⊕		<b>6</b>	<b>18</b>	GND.2	
⊖		<b>7</b>	<b>19</b>	OC.3	NAM.3	⊖		<b>7</b>	<b>19</b>	OC.3	NAM.3
aux -		<b>8</b>	<b>20</b>	GND.3		aux -		<b>8</b>	<b>20</b>	GND.3	
3A	Enc +	<b>9</b>	<b>21</b>	1A	TX	TX +	Ethernet	<b>9</b>	<b>21</b>	1A	TX
3B	Enc -	<b>10</b>	<b>22</b>	1B	RX	TX -		<b>10</b>	<b>22</b>	1B	RX
CTS		<b>11</b>	<b>23</b>		COMM	RX +		<b>11</b>	<b>23</b>		COMM
RTS		<b>12</b>	<b>24</b>	n.c.		RX -		<b>12</b>	<b>24</b>	n.c.	

► Connection parameters, see → p. 71, §3.4.8.2.

Table 7 Ex-e: Alternative terminal assignments and configurations

	Assignment	Alternative	Alternative <sup>1)</sup>	
1	Power supply			
2				
3	HART p & T	RS485.2 (MOD), Modbus RTU	-	
4				
5	AO, alternative external auxiliary voltage	-		
6				
7				
8				
9	RS485.3 (MOD), Modbus RTU	Encoder	Ethernet	
10				
11	-	-		
12				
13	DO.0/FO.0	DO.0/FO.0	-	
14	Open Collector	NAMUR		
15	DO.1/FO.1	DO.1/FO.1		
16	Open Collector	NAMUR		
17	DO.2	DO.2		
18	Open Collector	NAMUR		
19	DO.3	DO.3		
20	Open Collector	NAMUR		
21	RS485.1 (MOD), Modbus RTU	-		
22				
23	Not used	-		
24	Not used			

[1] If configured

### 3.4.8.5 Ex-i terminal compartment

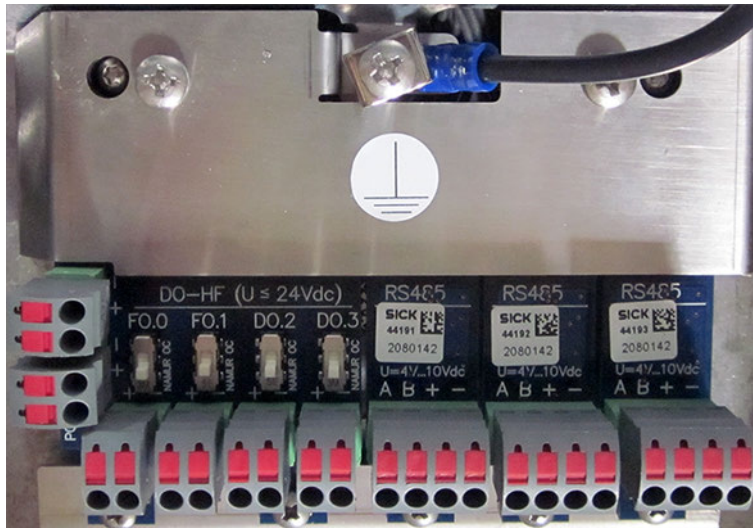
► Opening the Ex-i terminal compartment:

Proceed as described in Section “Opening the Ex-e terminal compartment”, → p. 74, §3.4.8.4 to open and close the Ex-1 terminal compartment.

#### Terminal assignment Ex-i terminal compartment

Connections in the Ex-i terminal compartment are labeled corresponding to the input/output configuration selected.

Fig. 35 Terminal assignment Ex-i terminal compartment (example)



► Safety-relevant parameters, see → p. 70, §3.4.8.1.

### 3.4.9 Connecting the optional backup battery



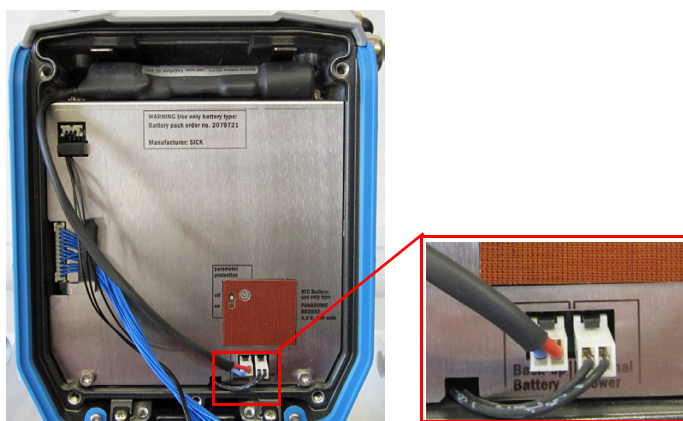
**NOTICE:**

Make sure the external power supply is active before connecting the backup battery.

Otherwise the backup battery is immediately active.

- Swivel the display unit downwards, → p. 107, §5.3.3.1.
- Connect the backup battery, → p. 108, §5.3.3.3.
- Swivel the display unit upwards and lock, → p. 109, §5.3.3.4.

Fig. 36 Backup battery connected



### 3.4.10 **Connecting external pressure and temperature sensors to the electronics**

It is possible to connect external pressure and temperature transmitters via HART to the electronics of the FLOWSIC600-XT. Select the electronics version with the option “HART p/T modules” in this case. This is available in all three Ex versions (Ex i, Ex d, Ex e) (Table 3 “Available input/output configurations” p. 52).

When the transmitters of the HART masters are connected, the FLOWSIC600-XT electronics polls the connected HART transmitters for pressure and temperature cyclically when the parameters are set accordingly (Register #4430 “UART3\_Protocol” → “HART-PT”). The cycle times can be set between 2 and 60 seconds in Register #4700 “PT\_Update-Cycle”. Both cycle times are updated within this cycle.

The interface parameters are automatically set to the values 1200 Baud, 801.

The pressure transmitter address must be stored in Register #4750 “Pressure\_HART\_Addr” and the temperature transmitter address in Register # 4751 “Temperature\_HART\_Addr”.

To use the read-in values, for example, in a volume converter, the raw values for pressure are available in Register #4723 “Pressure\_Raw” and for temperature in Register #4728 “Temperature\_Raw”. The transmitter statuses are available in Registers #4727 “Pressure\_Status” (for pressure) and #4732 “Temperature\_Status” (for temperature).



# FLWSIC600-XT

## 4 Commissioning and Operation

General information

Parameter display on the display

Commissioning with the FLOWgate™ operating software

Function check after commissioning

Sealing

## 4.1

**General information**

- All activities described in § 3 “Installation” must be completed before commissioning. A laptop/PC with the FLOWgate™ operating software installed is required for commissioning.
- The commissioning should be documented with a Commissioning Protocol. The document “FLOWSIC600-XT Commissioning Protocol” is content of the FLOWSIC600-XT shipping on paper and on the product CD. The completed Commissioning Protocol must be filed with the FLOWSIC600-XT device documentation.
- The FLOWSIC600-XT is zero adjusted or flow calibrated when delivered to the plant operator. The zero adjust comprises the 3-D measurement of the meter body, zero-flow and sound velocity test as well as other system specific tests which belong to the manufacturing and quality assurance process. The flow calibration is performed on a flow calibration test stand (calibration test facility).
- Usually, flow calibration for fiscal devices is performed at a test pressure that corresponds as closely as possible to the mean working pressure of the intended point of use. This defines the possible operating pressure range depending on the selected substitute or calibration value ( $p_{fix}$ ). This results in the following absolute pressure ranges for a Class 1.0 or Class 0.5 measurement according to OIML R137-2012.

Class 1.0		
$p_{fix}$ [bar]	$p_{min}$ [bar]	$p_{max}$ [bar]
1 ... <5	1	2 $p_{fix}$
5 ... <26	0.5 $p_{fix}$	3 $p_{fix}$
≥26	0.33 $p_{fix}$	4 $p_{fix}$

Class 0.5		
$p_{fix}$ [bar]	$p_{min}$ [bar]	$p_{max}$ [bar]
1	1	2 $p_{fix}$
≥2	0.5 $p_{fix}$	2 $p_{fix}$

- All parameters, determined by the aforementioned tests, as well as design specific data are preset and stored in the FLOWSIC600-XT in a non-volatile memory before delivery. Generally, the parameters are protected by a password. Additionally a Parameter write lock in the Signal Processing Unit prevents metrology relevant parameter changes.

**NOTICE: Measures in a metrologically secured area**

If stipulated by national regulations, measures on the device in the metrologically secured area after commissioning may be carried out only under official supervision.

- ▶ This must be coordinated with the authorities before carrying out the measures.
- ▶ All measures must be carried out on the basis of this Manual and, when necessary, the Service Manual (Part No. 8019178).

In all other cases, the output parameters of the FLOWSIC600-XT can be adapted on site by trained staff.

- The commissioning of FLOWSIC600-XT is supported by the field setup wizard in the FLOWgate™ operating software, → p. 86, §4.3.



## 4.2 Parameter display on the display

The FLOWSIC600-XT is delivered already configured according to customer specifications. It is recommended to check the parameters and settings.

### 4.2.1 Opening the display protective flap

- 1 Loosen the screw on the display protective flap with an SW3 Allen key.



- 2 Swivel down the display protective flap.



**NOTICE: Display protective flap**

Do not remove the display protective flap.

Always keep the display protective flap closed when the display is not in use!

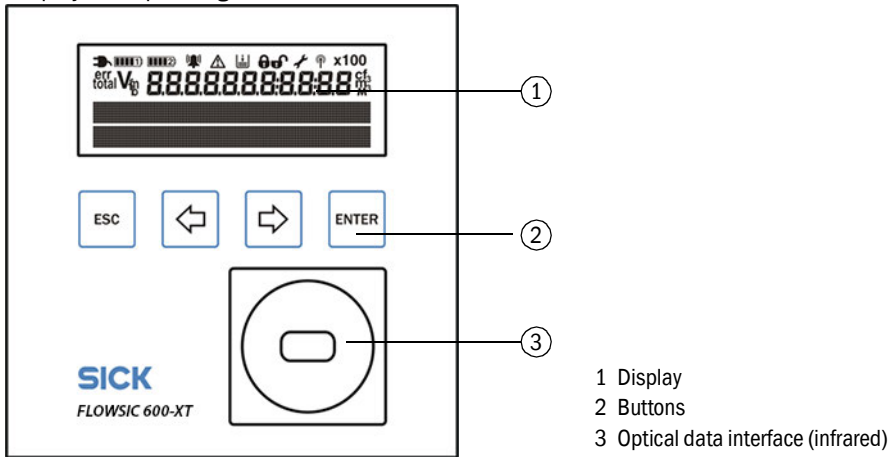
After the end of the work, screw the display protective flap tight.

### 4.2.2 Display and operating elements

The FLOWSIC600-XT display comprises an LCD display for measuring screens and configuring, 4 buttons for menu navigation and the possibility to attach an infrared/USB adapter (Part No. 6050602) for data communication.

Fig. 37

Display and operating elements



- 1 Display
- 2 Buttons
- 3 Optical data interface (infrared)

### 4.2.3 Display in the symbol bar

Table 8

Buttons

	In menu
Esc	Returns to next higher level of the operator menu.
←	Toggles between single menu entries on one level.
→	
ENTER	Calls up a submenu.

Table 9

Symbols

Symbol	Significance	Description
	External power supply	Always shown, blinks for faults in the external power supply.
	Device status: Malfunction	The device has an error, the measured value is invalid.
	Device status: Warning	The device has a warning, the measured value is still valid.
	Registered events	Events have occurred since the last event summary reset.
	Parameter locking switch closed	Metrologically relevant parameters are protected against changing; modifications are registered in the Metrology logbook.
	Parameter locking switch open	Metrologically relevant parameters can be changed; the modifications are not saved in the Metrology logbook.
	Configuration mode	Configuration mode is active, parameters can be changed on the device.

#### 4.2.4 Configurable standard display

The standard display comprises 2 display pages that can be toggled by pressing a button. Each of the three available lines (meter level display + 2x dot matrix) can be configured individually for each display page.

##### Meter level display

The following values are available for the meter level display:

Table 10 Meter level display

Line No.	Value	Display example
0	No display	
1	Volume at flowing conditions, forward, uninterrupted	+V 000012345 m <sup>3</sup>
2	Volume at flowing conditions, reverse, uninterrupted	-V 000012345 m <sup>3</sup>
3	Volume at flowing conditions, forward, interrupted	+errV 000000123 m <sup>3</sup>
4	Volume at flowing conditions, reverse, interrupted	-errV 000000123 m <sup>3</sup>
5	Volume at flowing conditions, forward, total	+totV 000012468 m <sup>3</sup>
6	Volume at flowing conditions, reverse, total	-totV 000012468 m <sup>3</sup>
7 [1]	Volume at base conditions, forward, uninterrupted	+ V <sub>b</sub> 000012345 m <sup>3</sup>
8 [1]	Volume at base conditions, reverse, uninterrupted	- V <sub>b</sub> 000012345 m <sup>3</sup>
9 [1]	Volume at base conditions, forward, interrupted	+errV <sub>b</sub> 000000123 m <sup>3</sup>
10 [1]	Volume at base conditions, reverse, interrupted	-errV <sub>b</sub> 000000123 m <sup>3</sup>
11 [1]	Volume at base conditions, forward, total	+totV <sub>b</sub> 000012468 m <sup>3</sup>
12 [1]	Volume at base conditions, reverse, total	-totV <sub>b</sub> 000012468 m <sup>3</sup>

[1] Only visible when volume conversion is active

**Dot matrix display**

The following values are available for the dot matrix display:

Table 11 Dot matrix display

Line No.	Value	Display example
0	No display	
1	Date/time	18.08.2015 13:25:21
2	Gas velocity	VOG 12.34 m/s
3	Sound velocity	SOS 430.34 m/s
4	Operational flow rate	Q 1324.12 m <sup>3</sup> /h
5 [1]	Base flow rate	Qb 1324.12 m <sup>3</sup> /h
6 [1]	Mass flow rate	mf 17.61 kg/h
7	Pressure	P 51.23 bar
8	Temperature	T 18.31 °C
9 [1]	Conversion factor	C 52.123
10 [1]	Compressibility	K 0.96321
11	Volume at flowing conditions, forward, uninterrupted	+V 000012345 m <sup>3</sup>
12	Volume at flowing conditions, reverse, uninterrupted	-V 000012345 m <sup>3</sup>
13	Volume at flowing conditions, forward, interrupted	+Ve 000000123 m <sup>3</sup>
14	Volume at flowing conditions, reverse, interrupted	-Ve 000000123 m <sup>3</sup>
15	Volume at flowing conditions, forward, total	+Vt 000012468 m <sup>3</sup>
16	Volume at flowing conditions, reverse, total	-Vt 000012468 m <sup>3</sup>
17 [1]	Volume at base conditions, forward, uninterrupted	+Vb 000012345 m <sup>3</sup>
18 [1]	Volume at base conditions, reverse, uninterrupted	-Vb 000012345 m <sup>3</sup>
19 [1]	Volume at base conditions, forward, interrupted	+Vbe 000000123 m <sup>3</sup>
20 [1]	Volume at base conditions, reverse, interrupted	-Vbe 000000123 m <sup>3</sup>
21 [1]	Volume at base conditions, forward, total	+Vbt 000012468 m <sup>3</sup>
22 [1]	Volume at base conditions, reverse, total	-Vbt 000012468 m <sup>3</sup>
23 [1]	Mass, forward, uninterrupted	+M 000012345 t.n
24 [1]	Mass, reverse, uninterrupted	-M 000012345 t.n
25 [1]	Mass, forward, interrupted	+Me 000000123 t.n
26 [1]	Mass, reverse, interrupted	-Me 000000123 t.n
27 [1]	Mass, forward, total	+Mt 000012468 t.n
28 [1]	Mass, reverse, total	-Mt 000012468 t.n

[1] Only visible when volume conversion is active

## 4.2.5

**Menu structure**

The following Table shows an overview of the menu structure on the display.

Table 12

Menu structure

Menu item	Significance
<b>Standard display 1</b>	Configurable display page
<b>Standard display 2</b>	Configurable display page
<b>Device status</b>	Device status
Current events	Current events overview
Current event list	Current events list
Event summary	Event history overview
Event summary list	Event history overview
Last event reset	History events reset timepoint
<b>Measurement values</b>	Meter measured values
+V and -V	Volume at flowing conditions, uninterrupted
+Ve and -Ve	Volume at flowing conditions, interrupted
+Vt and -Vt	Volume at flowing conditions, total
Q and VOG	Flow rate and gas velocity
VOG and SOS	Gas velocity and sound velocity
P(i) and T(i)	Pressure and temperature for internal measured value correction
P(e) and T(e)	Pressure and temperature for volume conversion
FO and AO	Pulse frequency and analog output value
<b>Volume conversion<sup>[1]</sup></b>	Volume conversion (only visible when option active)
+Vb and -Vb	Volume at base conditions, without errors
+Vbe and -Vbe	Volume at base conditions, with errors
+Vbt and -Vbt	Volume at base conditions, total
+M and -M	Mass, without errors
+Me and -Me	Mass volume, with errors
+Mt and -Mt	Mass total
Qb and mf	Standard flow rate and mass flow rate
P and T	Pressure and temperature for volume conversion
C and K	Conversion factor and compressibility
Z and Zn	Real gas factors for operation and standard state
<b>Device Information</b>	Electronics type plate
Measuring point	Measuring point identifier
SN device	Device serial number
SN electronics	Signal Processing Unit electronics serial number
SN meter body	Meter body serial number
Firmware version	Firmware version
Firmware CRC	Firmware checksum
Firmware date	Firmware release date
Metrology CRC	Checksum for metrological parameters
Min. oper. pressure	Minimum operating pressure
Max. oper. pressure	Maximum operating pressure
Impulse factor	Impulse factor

[1] Only visible in configuration with integrated EVC

## 4.3 Commissioning with the FLOWgate™ operating software

### 4.3.1 Connecting to the device

A data connection can be established with the device using the optical data interface and the infrared/USB adapter HIE-04 (Part No. 6050602).

This interface serves to configure the FLOWSIC600-XT. The infrared/USB adapter has an USB 2.0 interface. This interface provides the connection to the PC and transfers the FLOWSIC600-XT data.



A device driver software must first be installed to operate the adapter on a PC. The device driver software is on the delivered Product CD.

- 1 Install the device driver software before connecting the USB plug to the PC.
- 2 Connect the USB plug to the PC.
- 3 Fit the infrared/USB adapter to the infrared interface as shown (→ Fig. 38), a magnet integrated in the reading head retains the adapter.  
A cable holder is integrated in the display protective flap to prevent unintentional turning or loosening of the reading head.

Fig. 38

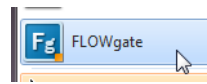
Aligning the infrared/USB adapter

Correct alignment



Wrong alignment




- 4 Install the FLOWgate™ operating software.  
The FLOWgate™ operating software and the associated Manual are to be found on the Product CD delivered with the FLOWSIC600-XT.
- 5 Click on the FLOWgate™ icon to start FLOWgate™: 
- 6 Add the FLOWSIC600-XT to the Device Manager of the FLOWgate™ operating software and create a connection to the device.
- 7 Login to the device as user “Admin”.




Please take your personal password from the delivery documentation. Otherwise the standard password for the Administrator is valid: 3333


- 8 Start the field setup wizard and follow the step-by-step instructions.

4.3.2 **Field setup wizard**

**NOTICE:**  
 Parameter changes are first written to the device when commissioning has been completed when using the field setup wizard.

**NOTICE:**  
 Configuration mode must be active to change parameters.

- ▶ To active configuration mode, click:



- ▶ Otherwise click on the symbol in the toolbar.

4.3.2.1 **Device identification**

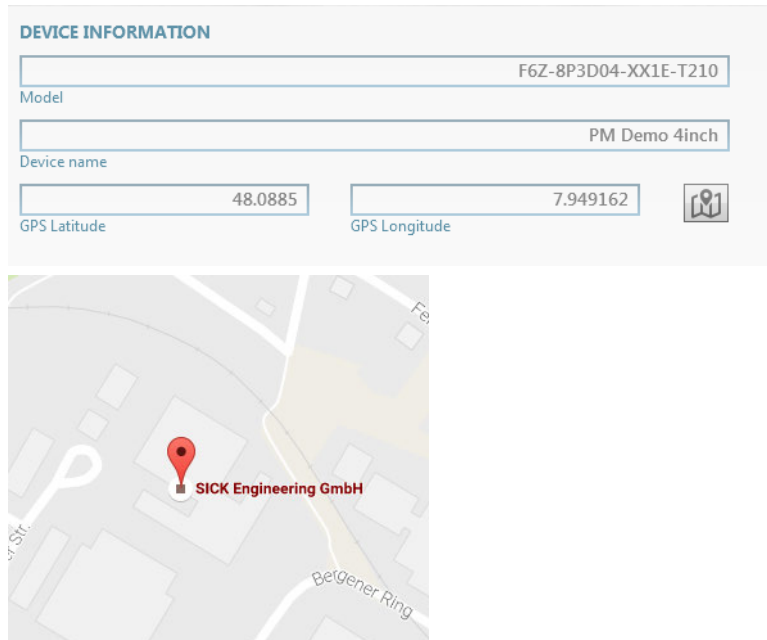
**Serial number and specific device values**

- ▶ Check the parameters entered:  
 Check the serial numbers and specific device values against the type plate.

**Device information**

- ▶ Compare the model name against the type plate and ensure the FLOWSIC600-XT is suitable equipped for the application.  
 Detailed description of the model name, see → p. 161, §9.6.
- ▶ Enter a device name: The device name is freely selectable.
- ▶ The GPS coordinates of the gas flow meter can also be entered as an option.  
 This allows showing the location of the gas flow meter on Google maps:

Fig. 39 Example: Gas flow meter location



Subject to change without notice

## 4.3.2.2 System/User

**Date and time**

- ▶ Enter the date and time or synchronize with the PC.

**Units**

The units are set at the factory as ordered.

- ▶ Check the settings and adapt when necessary.

**Display**

The display is preconfigured at the factory.

- ▶ Check the settings and adapt when necessary.

**User management**

User management is only visible when you are logged in as "Admin".

**NOTICE:**

SICK recommends changing the initial password provided for the administrator for security reasons.



Please refer to the delivery documentation for the device-specific administrator password.

Otherwise the standard password for the Administrator is valid: 3333

Further users can be created here when desired:

- ▶ Enter a user name.
- ▶ Specify a password. The password must comprise 4 digits.
- ▶ Activate the associated checkbox.

Up to three users and authorized users can be created.

For access rights for single user levels, see → p. 24, Access rights.

Fig. 40

Example: New users

USER MANAGEMENT			
User	Activate	User Name	Password
User 1	<input checked="" type="checkbox"/>	Employee1	••••
User 2	<input type="checkbox"/>		•
User 3	<input type="checkbox"/>		•
Authorized User 1	<input checked="" type="checkbox"/>	Employee2	••••
Authorized User 2	<input type="checkbox"/>		•



4.3.2.3 I/O configuration

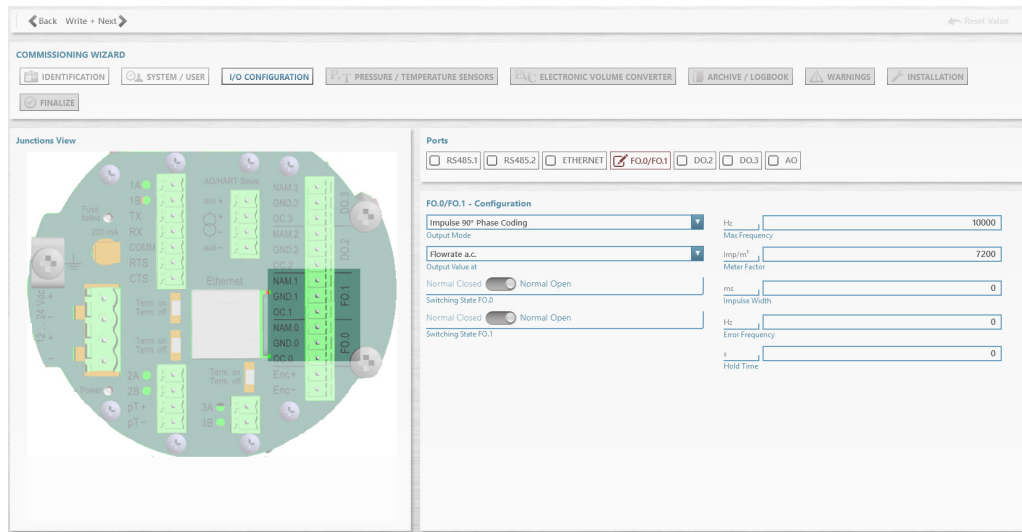
The input and output parameters are preset according to the ordered configuration.

- +
  - The configuration of the RS485.1 interface at the factory is performed for trouble-free communication on test benches as follows:
    - Protocol type: MODBUS-RTU
    - Modbus configuration: FL600XT (standard)
    - Baud rate: 38,400 baud
    - Bit protocol: 8N1
  - When an interface is configured with DSFG instance F, the parameters are set according to the DSFG specification as follows:
    - Protocol type: MODBUS-RTU
    - Modbus configuration: DSFG<sup>1</sup>
    - Baud rate: 9,600 baud
    - Bit protocol: 8E1

[1] DSFG Instance F is correctly implemented according to ISO17089-1:2019 Appendix F and supports the register values listed here.

- ▶ Check the parameters and adapt when necessary, e.g. setting the correct Modbus addresses.

Fig. 41 I/O configuration



+
 The interface marked on the right is always shown highlighted on the left of the Figure. Clicking on the Figure selects the corresponding interface on the right.

A fixed frequency can be stored in field “Error Frequency” which is output if there is a fault. This value is stored in Register #4014 “Impuls\_ErrorFrequency” of the meter. The function is deactivated when value 0 is stored.

A time interval can be specified in the “Hold time” field in which the measured value is held at the last valid value when the status changes from measurement valid to measurement invalid. This value is stored in Register #4015 “Impulse\_HoldTime” of the meter. The function can be used, for example, to bridge short-term disturbances for control purposes.

Subject to change without notice

#### 4.3.2.4 P + T pressure and temperature sensor

- ▶ Check the source as well as the default and fixed values for pressure and temperature. The values are preset for high-pressure calibrated devices.
- ▶ For non-calibrated devices, enter the default and fixed values for pressure and temperature corresponding to the average values expected on the device for operating pressure and operating temperature.

#### 4.3.2.5 Volume converters (optional, only for devices with the volume conversion device option)

- ▶ Select the parameters for the calculation.
- ▶ Enter the specifications for gas characteristics.
- ▶ Select the algorithm for calculating the compressibility factor.

#### 4.3.2.6 Archives/Logbooks

##### Logbooks

- ▶ Configure how the logbooks function:
  - Stop: A warning is output when the logbook is full.
  - Rolling: The oldest entries are overwritten when the logbook is full.

##### Data archive 1 and data archive 2

The standard archive configuration records data archive 1 hourly and data archive 2 daily in forward flow direction. Recording periods and recording directions as well as the totalizer to be recorded can be configured:

- Log cycle: Recording period
- Direction: Recording direction
 

The setting for totalizer 1 is used for totalizer 2 when the recording direction is set to “bidirectional”. This means totalizer 1 records in forward direction and totalizer 2 in backward direction.
- Data record type 1: Totalizer 1
- Data record type 2: Totalizer 2

Archive data structure, see → p. 33, §2.9.2.

#### 4.3.2.7 Diagnostics/warnings

The standard limits for natural gas applications are set at the factory.

- ▶ Activate single warnings as desired:

Fig. 42

Example: System warnings

SYSTEM / PROFILE		PATH WARNINGS		
System Warnungen	Unit	User Limit	Live Value	Active
<input checked="" type="radio"/> Theoretical SOS Deviation	%	0.3	0.028	<input checked="" type="checkbox"/>
<input checked="" type="radio"/> VOG Limit	m/s	45	0	<input checked="" type="checkbox"/>
<input type="radio"/> Input Voltage Warning	V	14	10.7	<input type="checkbox"/>
<input type="radio"/> Configuration Mode				<input type="checkbox"/>
<input type="radio"/> Unacknowledged Entries				<input type="checkbox"/>
<input type="radio"/> Full of Unack. Entries				<input type="checkbox"/>



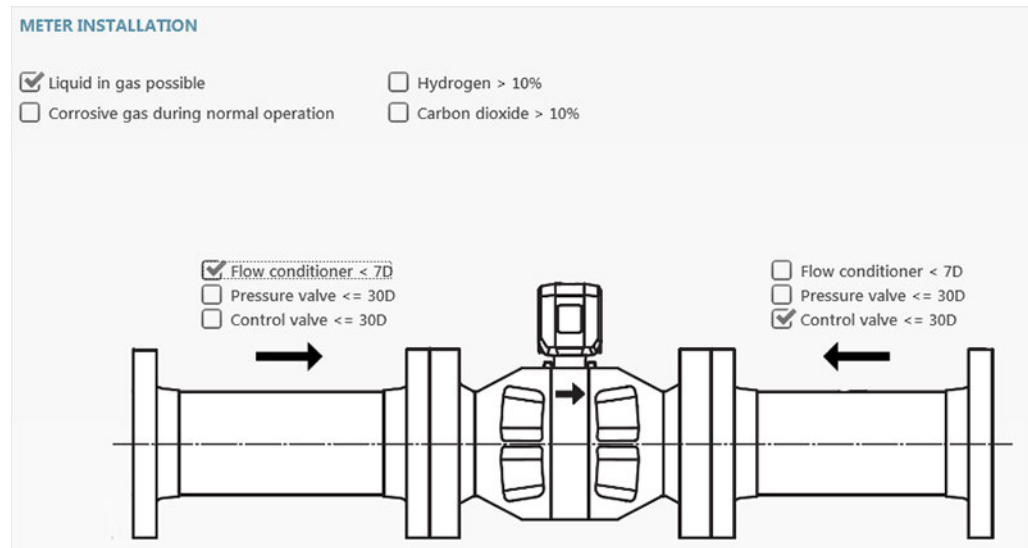
SICK recommends adapting the limit values to the application conditions after several weeks of measuring operation.

#### 4.3.2.8 Meter installation

Specifications on the installation conditions of the gas flow meter are relevant for troubleshooting with i-diagnostics™.

The arrow symbol on the gas flow meter shown identifies the primary flow direction.

Fig. 43 Installation conditions (example)



#### 4.3.2.9 Completion

- First write the data to the device.



**NOTICE:**

The data must be written to the device before the report is created otherwise the reports are created using the data from commissioning.

- If desired; Reset the malfunction volume encoder totalizer and clear the logbooks.
- SICK recommends creating a Parameter report and a Maintenance report and archiving the reports with the delivery documentation, → p. 101, §5.2.4.

#### 4.4 Function check after commissioning

##### 4.4.1 Recommended checks:

- Checking the meter state, → p. 96, §5.2.1.
- Checking the signal acceptance rate, → p. 92, §4.4.2.
- Zero phase check, → p. 92, §4.4.3.
- Checking the speed of sound, → p. 93, §4.4.4.
- Comparing theoretical and measured sound velocity (SOS), → p. 98, §5.2.2.

#### 4.4.2 Checking the signal acceptance rate

- ▶ When the equipment is in operation and a flow rate is available, open the tile “Meter values” in menu “Diagnostics” in the FLOWgate™ operating software.
- ▶ Check the signal acceptance rate (Sign. Acceptance Rate). The signal acceptance rate should be at least 75% on all paths. The signal acceptance rate may be significantly lower when the velocity of gas is above 30 m/s (100 ft/s).

#### 4.4.3 Zero phase check

- ▶ Open the tile “Signal View” tile in the “Diagnostics” menu.
- ▶ Check the parameter “Phase shift” for each path (1-1, 1-2, 1-3, 1-4 and 2-1, 2-2, 2-3, 2-4).

Properly adjusted zero phases of the individual paths are the basis for accurate measurement of the ultrasonic signals' transit time. The “Phase shift” parameter of a path is properly adjusted when the values are lower than 0.2. An adjustment coordinated with SICK Service is recommended when the zero phases do not meet the specified criteria.

Fig. 44 Zero phase check



## 4.4.4

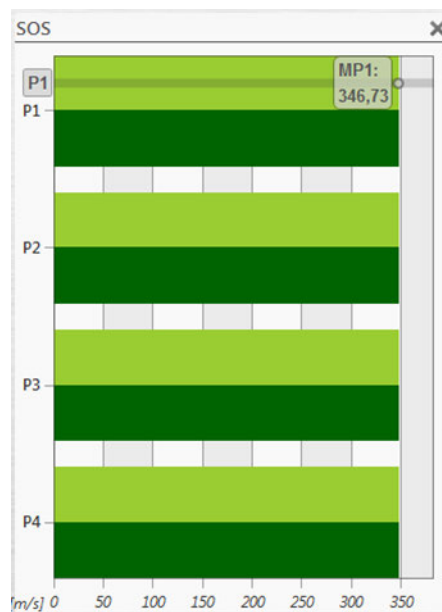
**Checking the speed of sound**

- ▶ Open the tile “Meter values” in the “Diagnostics” menu.
- ▶ Check the speed of sound (SOS).
- ▶ The speed of sound values must be almost identical on all paths of the FLOWSIC600-XT and may only differ by less than 0.1%.
- ▶ When moving the mouse over the bar graphs, the current measured values are shown in the diagram.

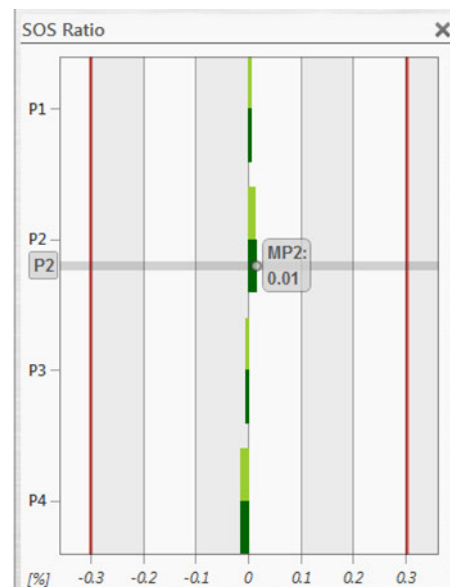
Fig. 45

Speed of sound

SOS absolute



SOS difference to average



In the case of very low gas velocities ( $< 1$  m/s or 3 ft/s), there may be more significant differences between the sound velocities of the paths due to thermal stratification. In this case, larger differences between the paths can also occur.

Ensure the measured SOS deviates no more than 0.3% from a theoretical SOS which is calculated from gas composition, pressure and temperature → p. 98, §5.2.2 “Comparing theoretical and measured sound velocity (SOS)”.

Further diagnostics values, e.g. velocity of gas (VOG), signal amplification (AGC), signal-to-noise ratio (SNR), turbulence, symmetry and swirl are shown in the “Diagnostics / Meter values” menu.

#### 4.4.5 Path failure compensation

The FLOWSIC600-XT can compensate failed measuring paths. A path is considered failed when its acceptance rate is below a certain limit. It is then no longer used to create measured values, but is substituted by a configured or taught relation to the overall velocity. It is included in measurement when its acceptance rate is over the limit again.

Path compensation is always active by default. No adaptation is required within the scope of the commissioning.

In a 4-path system, the gas flow meter compensates for a failed measuring path and gives a warning in case of failure. The measurement is still valid under legal metrology. If two or more measuring paths fail, the measurement is invalid, the meter issues a corresponding warning and increments the disturbance volume.

In a 8-path system, the gas flow meter compensates for a failed measuring path per measuring plane and gives a warning in case of failure. According to this, two measuring paths can fail, as long as they are not in the same measuring plane. If two or more measuring paths per measuring plane fail, the measurement is invalid, the meter issues a corresponding warning and increments the disturbance volume.

#### 4.5 Sealing

After having completed the commissioning, seal the Signal Processing Unit (if required) in accordance with the sealing plan (→ p. 35, §2.10).

# FLWSIC600-XT

## 5 Maintenance

General information

Routine checks

Exchanging the battery

Cleaning the FLWSIC600-XT

## 5.1 General information

The FLOWSIC600-XT does not include mechanical moving parts. The meter body and ultrasonic transducers are the only components that come into contact with the gaseous media. Titanium and high-quality steel ensure that these components are resistant to corrosion, provided that the meter is installed and operated in accordance with the relevant specifications.

This means that the FLOWSIC600-XT is a low-maintenance system.

User Warning Limits can be configured to provide early warnings for possible issues with contamination. Maintenance is limited mainly to routine checks to determine the plausibility of the measured values and diagnostic results produced by the system.

SICK recommends that Maintenance Reports be created and filed on a regular basis (→ p. 101, § 5.2.4). Over a period of time, this provides a comparison data base useful when diagnosing problems.



The operating conditions (gas composition, pressure, temperature, flow velocity) of the individual Maintenance Reports should be similar. When the individual reports are compared, it is recommended to evaluate and document deviations.

## 5.2 Routine checks

Proper device function can be determined directly on the front panel of the FLOWSIC600-XT. The FLOWgate™ operating software provides a user-friendly option for the performance of routine checks (connect to the device, → p. 86, § 4.3.1).

### 5.2.1 Checking the meter state

The FLOWSIC600-XT checks its own meter state with a system of user warnings and alarms. If the I/O interfaces are configured to indicate alarms and/or user warnings, it is not necessary to manually check the meter state.

The system status in the FLOWgate™ operating software provides a general overview when a visual feedback on the meter's state is desired.

#### 5.2.1.1 Function check on the display

If there is a warning or malfunction on the device, the corresponding symbol is shown in the Signal Processing Unit display.

Table 13

Symbols

Symbol	Significance	Description
	Device status: Malfunction	The device has an error, the measured value is invalid.
	Device status: Warning	The device has a warning, the measured value is still valid.
	Registered events	Events have occurred since the last event summary reset.

- ▶ An active error or warning is shown flashing in the LC display. Current errors or warnings can be retrieved under “Device status” / “Current events” with error code; status messages see → p. 116, § 7.1.
- ▶ The status output can be configured to show whether the meter state “Measurement valid”, “Warning”, “Error”, “Maintenance necessary”, “Backward flow” or status “Configuration mode” becomes active.






- ▶ The FLOWgate™ operating software can be used to test the meter state. System alarms and User Warnings are indicated in the Status bar.  
It is recommended to use the FLOWgate™ operating software to obtain further information on the meter's state.

5.2.1.2 **Function check with FLOWgate™**

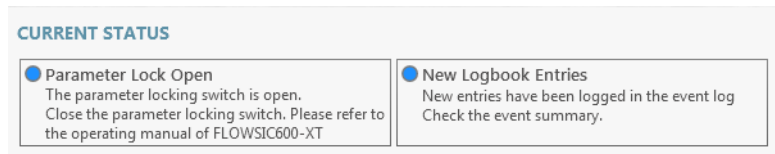
- ▶ Check the device status.

Table 14 Signaling the device status in FLOWgate™

Status	Description
	Normal operation, neither warnings nor errors exist
	Device status warning: At least one warning is pending in the device, the measured value is still valid.
	Device status error: At least one error is pending in the device, the measured value is invalid.

- ▶ Click on the symbol in the Status bar when warnings or errors exist.  
The current Status overview opens and shows details and information on how to proceed.

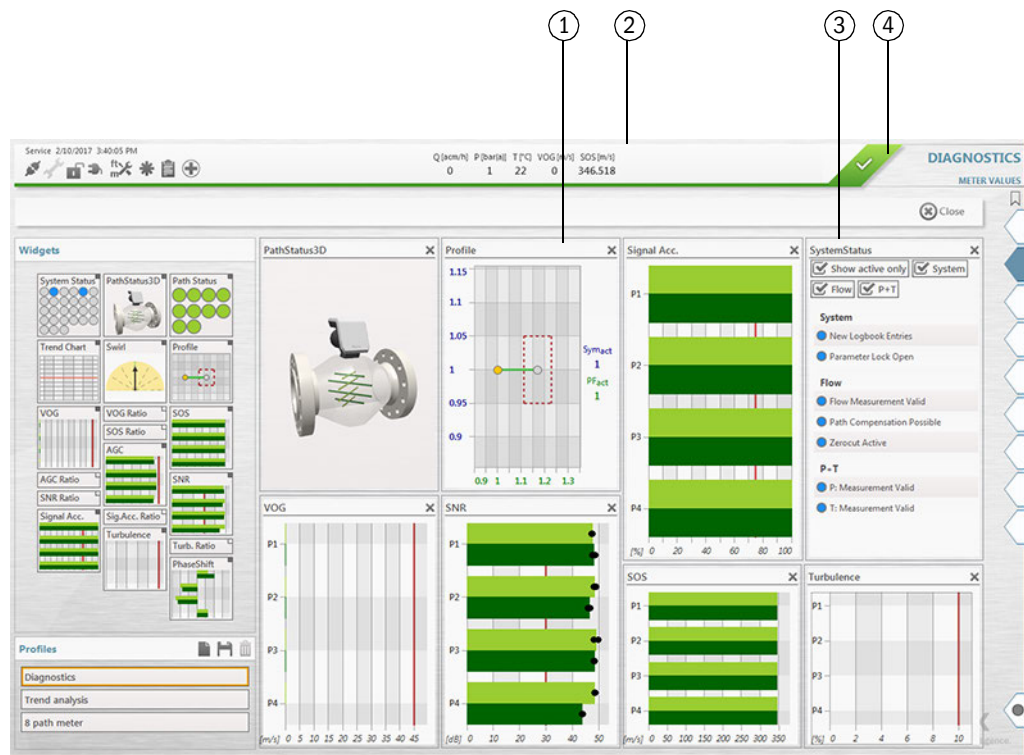
Fig. 46 Current status



The “Diagnostics” menu shows under “Meter values” in various profiles all diagnostics values providing information on the status of the device.

Fig. 47

Meter values



- 1 Diagnostic information
- 2 Measured SOS
- 3 System status
- 4 Status bar

## 5.2.2

### Comparing theoretical and measured sound velocity (SOS)

One of the main criteria for correct operation of an ultrasonic gas flow meter is conformity between the theoretical sound velocity calculated for the actual gas composition, temperature and pressure, and the sound velocity measured by the ultrasonic gas flow meter.

The Speed of Sound Calculator (SOS Calculator) available in the FLOWgate™ operating software calculates a theoretical SOS for a specific gas composition at a specified temperature and pressure (→ Fig. 48). The calculation of thermodynamic properties is based optionally on the “GERG-2008” or “AGA10” algorithm.

- 1 Connect FLOWSIC600-XT and FLOWgate™, → p. 86, §4.3.1.
- 2 Open “SOS Calculator” in the “Diagnostics” menu.
- 3 Select the gas composition and confirm with “Apply”. The gas composition can be entered manually or loaded as file.
- 4 Enter the current process conditions and select “Calculate SOS”.

Fig. 48 SOS Calculator

- Compare the theoretical speed of sound with the speed of sound measured with the FLOWSIC600-XT.  
The deviation of the measured SOS from the calculated SOS is shown for each path in the “Deviations per Path” area, → Fig. 49.

Fig. 49 Speed of sound (SOS)

Deviations Per Path			
Path	SOS meas. [ m/s ]	SOS calc. [ m/s ]	Deviation [ % ]
Global	346.532	346.39	-0.04 %
1-1	346.552	346.39	-0.05 %
1-2	346.495	346.39	-0.03 %
1-3	346.493	346.39	-0.03 %
1-4	346.585	346.39	-0.06 %
2-1	346.573	346.39	-0.05 %
2-2	346.489	346.39	-0.03 %
2-3	346.516	346.39	-0.04 %
2-4	346.557	346.39	-0.05 %

- The deviation between the two speeds of sound should be less than  $\pm 0.1\%$ .  
If the deviation exceeds 0.3%: Check the plausibility of the pressure, temperature and gas composition values.

## 5.2.3 Time synchronization

### 5.2.3.1 Time synchronization via Modbus

The FLOWSIC600-XT has a real-time clock which continues to run also in the case of a power failure. The real-time clock has a separate battery (BR2032). The time is saved as UNIX Timestamp (UTC) in the device and in the stored data records. The UNIX Timestamp specifies the number of seconds since 01.01.1970 with leap year correction.

The UNIX Timestamp can be read and set directly via register #4304 "RTC\_Timestamp". Writing to the RTC\_Timestamp sets the internal clock and is documented with an entry in the event logbook. All external synchronizations (for example with PC time) should be performed with this RTC\_Timestamp as UTC.

The device can also return the local time. 3 registers exist for this purpose: Time (#4302 "RTC\_Time"), date (#4300 "RTC\_Date") and time zone (#4306 "RTC\_Timezone"). A read access always returns the current local time.

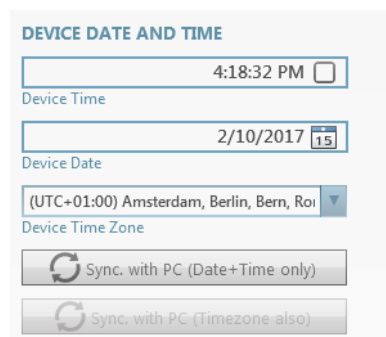
Write access to time or date creates an entry in the event logbook each time. Setting the time zone does not cause an entry in the event logbook because only the representation of the local time changes, but not the UTC.

A regional adaptation of the local time representation can be performed via register #4102 "LCD\_DateTimeFormat". The European 24 h format as well as the American 24 h format and the American 12 h format are supported.

### 5.2.3.2 Time synchronization with the FLOWgate™ operating software

Date and time can be synchronized in the FLOWgate™ operating software with the connected PC during commissioning or in menu "Parameter Modification" and "System/User".

Fig. 50 Time synchronization



### 5.2.3.3 Service life/capacity of RTC battery

The real-time clock (RTC) of FLOWSIC600-XT is buffered by a battery. The device checks permanently whether the real-time clock is working and date and time have valid values. If this is not the case, a device error occurs and results in the respective entry in the event logbook. The error is eliminated only when a valid date is set.

In addition, the voltage of the RTC battery is permanently monitored. If the battery voltage drops below 1.8 V, maintenance request (low battery voltage) is signaled. If the battery voltage rises above 2.2 V, the maintenance request is reset. If the battery voltage drops below 1.2 V, maintenance request (no battery available) is also signaled. A low voltage level or a battery failure also results in an entry in the event logbook. Information on battery change, see → p. 105, §5.3.

## 5.2.4 Maintenance report

It is advisable to regularly create and archive a Maintenance report. This serves to create a comparison database and supports diagnostics.



The operating conditions (gas composition, pressure, temperature, flow velocity) of the individual Maintenance Reports should be similar. When the individual reports are compared, it is recommended to evaluate and document deviations.


- 1 Click  in the status bar.
- 2 The “Maintenance Report” dialog opens.  
It is recommended to set the duration of data collection to 5 minutes, but it can also be changed in the selection list.

Fig. 51

Maintenance report

- 3 After the end of data collection, the report opens automatically and can be printed, saved as PDF document or sent via e-mail.
- 4 Finally close the report with the “Close” button.
- 5 It is recommended to file the printed report with the device delivery documentation.

## 5.2.5 Optional data backup



To prevent an overflow of the logbooks and possible data loss, logbook entries can be saved to the meter database with the FLOWgate™ operating software. The entries on the meter can then be deleted.

### 5.2.5.1 Logbook check and data backup

Page “Logbook Management” provides an overview and a general introduction to the logbooks.

The following functions are available here:

- “Load all logbooks from device”: Load the complete contents of all logbooks in the PC database.
- “Load all logbooks from database”: Add the overview data that are already on the PC to the logbook and make them available during the FLOWgate™ session.
- “Clear All Logbooks”: When the logbooks have been loaded from the device, they can be deleted in the device.
- When a logbook is selected, it is possible to only load/delete this logbook or to export it to CSV format or as PDF report.

The PDF report is automatically opened and can be printed, saved or sent via e-mail.

Fig. 52 Example: Event logbook

Id	Date	Code	User	Description	+V[m³]	-V[m³]	+Verr[m³]	-Verr[m³]
00367	11/29/2016 6:08:38 PM	I_1001_ON	Service@UART_1	Event Logbook Reset	3439.51	23.21	164.1	0
00368	11/29/2016 6:09:10 PM	I_1002_ON	Service@UART_1	Parameter Logbook Reset	3439.51	23.21	164.1	0

### Deleting logbook entries

Logbook entries can be deleted only via the FLOWgate™ operating software with button “Clear all Logbooks”. Deleting the entries in FLOWSIC600-XT is not possible.

### 5.2.5.2 Checking the data archives (data logs)

FLWSIC600-XT has a diagnostics archive and two data archives:

- Data archive 1 (Hourly Log) on an hourly basis
- Data archive 2 (Daily Log) on a daily basis

The measured data archives are saved accordingly in the non-volatile memory of the device.

All data archives can be loaded and read in the “Archive Management” overview. In the individual archives, each archive can be loaded individually from the device to the PC.

The archive data can be exported in CFX or CSV Format and then stored or sent as e-mail.

Fig. 53 Example: Data archive 1

Id	Timestamp	Flowtime	Status 1	Cnt 1 V [m³]	Cnt 1 V ERR [m³]	Cnt 2 Vb [m³]	Cnt 2 Vb ERR [m³]	Pressure [bar]	Temperature [°C]
00001	7/18/2016 11:00:00 AM	0	0,00000092	0	0	0	0	1,00	20,00
00002	7/21/2016 4:00:00 PM	0	0,00000092	0,62	0,03	0	0	1,00	20,00

### Deleting the data archives

The data archives can be deleted via the FLOWgate™ operating software. In the archive overview of the “Archive Management”, all data archives can be deleted at once or each individually directly in the respective archive.

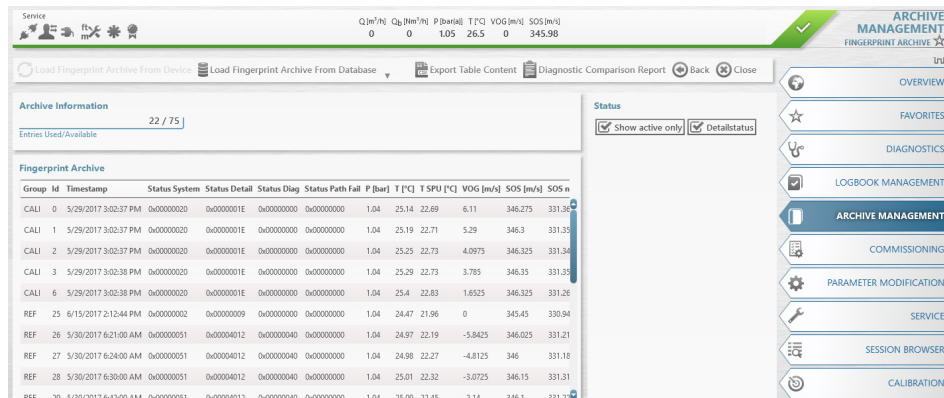
### 5.2.6 Creating and evaluating the Diagnostics Comparison report

FLOWgate supports the creation of a Diagnostics Comparison report. This visualizes a comparison of the most important current process and diagnostic data with the fingerprint data stored in the device during commissioning. The data is displayed for the individual speed classes.

The report can be created at any time and stored as a PDF document. This enables, for example, trend reporting over the lifetime of the meter with which process or meter changes can be detected.

Fig. 54

FLOWgate™ Diagnostics archive

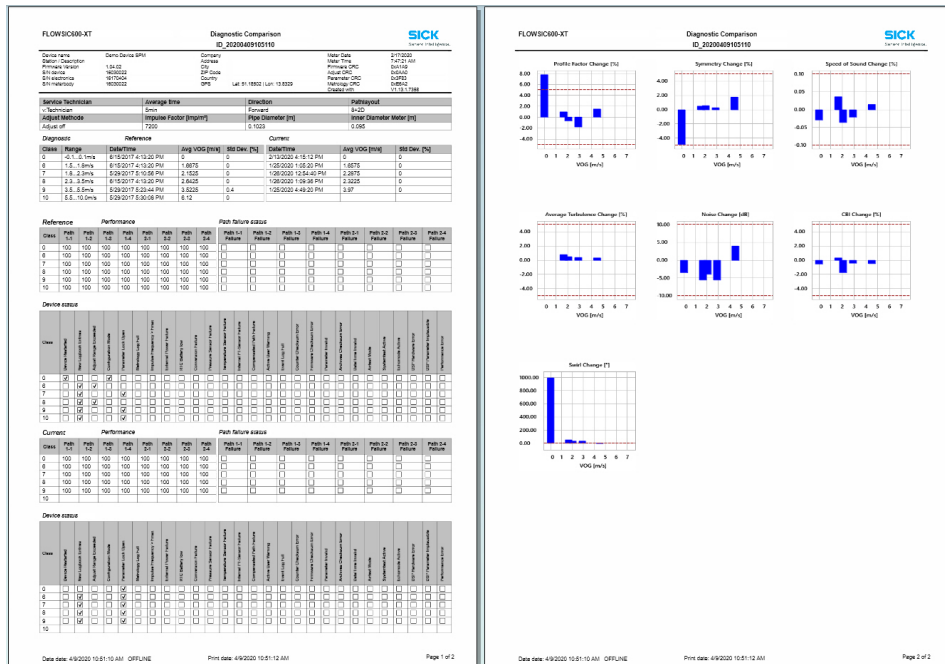


Creating the report

- ▶ Select “ARCHIVE MANAGEMENT” in the menu
- ▶ Select the “FINGERPRINT” tile
- ▶ Select “Load Fingerprint Archive from Device” to load the current process data from FLOWSIC600-XT into the FLOWgate database. This process may take a few seconds depending on the amount of data. The data is displayed in tabular form in the “Fingerprint Archive”.
- ▶ Then select “Diagnostic Comparison Report” in the upper right corner of the menu bar. In the query window that opens, select whether the report should be generated for the forward or reverse direction of the gas flow. You also have the option of entering the name of the person who created the report. This is displayed in the report.
- ▶ After confirming with “OK”, the report is created and can be sent by e-mail or saved as a PDF document by clicking the “Send/Save” button.

Fig. 55

Example of a Diagnostic report



Subject to change without notice



## 5.3 Exchanging the battery

### 5.3.1 Battery types



**NOTICE:**

The exchangeable backup battery and its electric connections are rated as intrinsically safe according to IEC/EN 60079-11:2011.

- ▶ The backup battery may also be used in the non-intrinsically safe FLOWSIC600-XT versions whereby the exchange can also be made in the danger area.

- Only PANASONIC batteries type BR2032 are permitted as the RTC battery otherwise the intrinsic safety is endangered.
- Only replace the backup battery with a similar type from SICK with item number 2079721 otherwise the intrinsic safety is endangered.

### 5.3.2 Information on handling lithium batteries



**WARNING: Risk of explosion - hazard for intrinsic safety**

- ▶ Only the exchangeable battery packs from SICK may be used!
- ▶ Do not use damaged batteries; these must be disposed of correctly!

The battery packs are marked with important information concerning storage and disposal.

Table 15 Marking

Symbol	Significance
	Do not dispose with household trash.
	Recycling

#### 5.3.2.1 Information on storage and transport

- ▶ Prevent a short circuit of the battery terminals:
  - Store and transport the batteries in their original packaging
  - or tape the battery terminals.
- ▶ Store cool (under 21 °C (70 °F)), dry and without major temperature fluctuations.
- ▶ Protect against permanent sunlight.
- ▶ Do not store near the heating.

#### 5.3.2.2 Disposal information

**In the EU**

- ▶ Dispose of lithium batteries in accordance with Battery Directive 2006/66/EU.
- ▶ In Germany, you can hand in the batteries at your local recycling center. Alternatively, the battery manufacturer Tadiran Germany offers a return service on request.

Contact data:

Phone: +49 (0)6042/954-122

Fax: +49 (0)6042/954-190

[www.tadiranbatteries.de](http://www.tadiranbatteries.de)

**In the USA**

- ▶ Batteries have to be disposed of by an authorized waste disposal company.

Identification of lithium batteries:

- Proper shipping name: Waste lithium batteries
- UN number: 3090
- Label requirements: MISCELLANEOUS, HAZARDOUS WASTE
- Disposal code: D003

- ▶ If anything is unclear, contact the local office of the Environmental Protection Agency (EPA).

**In other countries:**

Please observe national regulations for the disposal of lithium batteries.

5.3.3 **Replacing the backup battery**

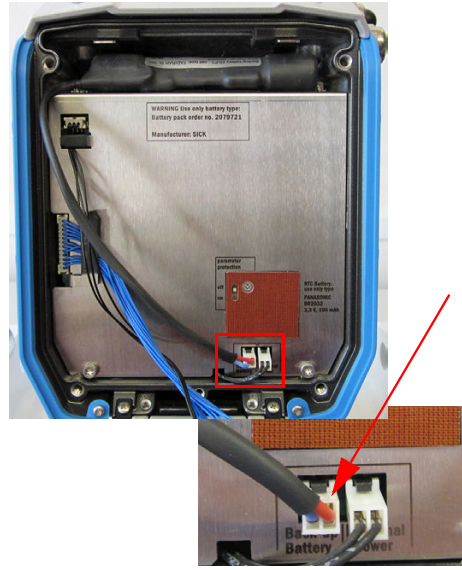
5.3.3.1 **Swivel the display unit downwards**

<p><b>1</b> Loosen the screw on the display protective flap with an SW3 Allen key.</p>	
<p><b>2</b> Swivel down the display protective flap.</p>	
<p><b>3</b> Loosen the 4 screws on the display unit with an SW4 Allen key.</p>	
<p><b>4</b> Carefully swivel the display unit downwards.</p>	

## 5.3.3.2

**Remove the backup battery**

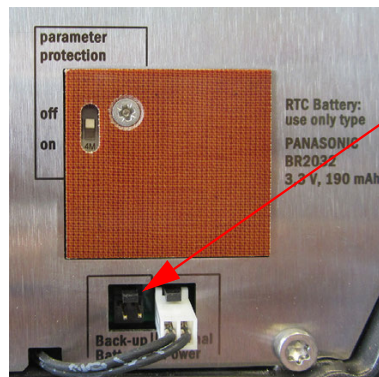
- 1 Make sure the external power supply is active.
- 2 Disconnect the backup battery connection.
- 3 Take the backup battery out of the holder.





## 5.3.3.3

**Insert the new backup battery**

- 1 Unpack the new backup battery and check for transport damage.
- 2 Do not use the backup battery when any damage can be seen.
- 3 Make sure the external power supply is active before connecting the backup battery. Otherwise the backup battery is immediately active.
- 4 Insert the backup battery in the holder and connect to the "Backup Battery" connection.




5.3.3.4 **Swivel the display unit upwards and lock**

<ol style="list-style-type: none"> <li>1 Ensure the sealing area is free from contamination.</li> <li>2 Swivel the display unit upwards.</li> <li>3 Tighten the 4 screws on the display unit hand tight (5 Nm) with an SW 4 Allen key.</li> </ol>	
<ol style="list-style-type: none"> <li>4 Close the display protective flap.</li> <li>5 Tighten the screw on the display protective flap with an SW3 Allen key.</li> </ol>	

5.3.4 **Replacing the RTC battery**

**Prerequisites**

- ▶ The display unit is swiveled down:
  - Swivel the display unit downwards, → p. 107, §5.3.3.1.
- ▶ To replace the RTC battery, the metrology seal on the parameter locking switch must be opened, if present.

	<p><b>NOTICE: Measures in a metrologically secured area</b></p> <ul style="list-style-type: none"> <li>▶ If stipulated by national regulations, measures on the device in the metrologically secured area after commissioning may be carried out only under official supervision.</li> <li>▶ This must be coordinated with the authorities before carrying out the measures.</li> <li>▶ All actions must be performed on the basis of this Manual and, if necessary, the Service Manual for the product.</li> </ul>
---	---

### Replacing the RTC battery

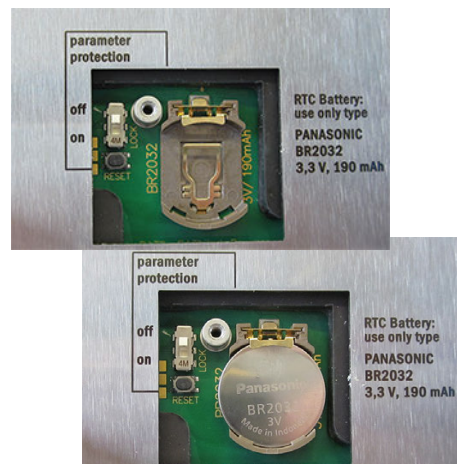
- 1 Remove the adhesive label on the battery cover, if present.
- 2 Loosen the screw fitting of the battery cover with a Phillips screwdriver.
- 3 Remove the battery cover.



- 4 Use a small slot screwdriver to carefully lever the RTC battery out of the holder.



- 5 Insert the new RTC battery.



- 6 Refit the battery cover.
- 7 If necessary, have a new seal attached to the battery cover.
- 8 Swivel the display unit back up and screw tight, → p. 109, §5.3.3.4.
- 9 Connect with the device using the FLOWgate™ operating software, → p. 86, §4.3.1.
- 10 Open the System/User tile in the Parameter Modification menu.
- 11 Set the date and time or synchronize with the PC.

## 5.4

**Cleaning the FLOWSIC600-XT****WARNING: Ignition hazard through electrostatic discharges**

- ▶ The plastic display surface exceeds the allowable value for ignition group IIC. The user must take suitable precautionary measures to eliminate the risk of ignition through electrostatic discharges.
  - ▶ The paint coat thickness on the surfaces accessible from the outside exceeds the allowable thickness for ignition group IIC. The user must take suitable precautionary measures to eliminate the risk of ignition through electrostatic discharges.
  - ▶ Under certain extreme circumstances, the non-metallic parts incorporated in the enclosure may generate an ignition-capable level of electrostatic charge.
    - Therefore the FLOWSIC600-XT must not be installed in a location where the external conditions are conducive to the build-up of electrostatic charge on such surfaces.
    - In addition, the equipment must only be cleaned with a damp cloth. This is particularly important when the FLOWSIC600-XT is installed in a zone 0 location. (See clause 7.4.2 of EN 60079-0) (See § 7.4.2 EN 60079-0)
- ▶ Only use cleaning agents free from oil, grease and solvents to clean the display.
- ▶ Use a damp cloth for cleaning.





# FLWSIC600-XT

## 6 Shutting down

Returning  
Disposal information

## 6.1 Returning

### 6.1.1 Contact

Please contact your SICK representative for assistance.

### 6.1.2 Packing

Make sure the FLOWSIC600-XT cannot be damaged during transport.

**NOTICE:**

Remove the backup battery before shipping the FLOWSIC600-XT, → p. 107, §5.3.3.

## 6.2 Disposal information

### 6.2.1 Materials

The FLOWSIC600-XT mainly consists of steel, aluminium and plastic materials. It does not contain any poisonous, radioactive or environmentally hazardous substances. Substances from the pipeline could possibly penetrate the seals or deposit on these.

### 6.2.2 Disposal

- ▶ Dispose of electronic components as electronic waste.
- ▶ Check which materials having contact with the pipeline must be disposed of as hazardous waste.
- ▶ Dispose of batteries in accordance with → p. 105, §5.3.2.2.

# FLWSIC600-XT

## 7 Troubleshooting

Status messages  
Starting a diagnostic session

## 7.1 Status messages

- Active errors or warnings are shown flashing in the LC display. Current errors or warnings can be retrieved under “Device status” / “Current events” with error code.
- Detailed information on the status messages is available via the FLOWgate™ operating software in the Diagnostics menu via the “Status Diagnostics” tile.



- ▶ Contact SICK Customer Service for any malfunctions you cannot clear yourself.
- ▶ To help Customer Service to understand malfunctions that have occurred, the FLOWgate™ operating software provides the option to create a diagnostics file that can be sent to Customer Service, → p. 117, §7.2.

Table 16 Status messages

Category	No.	Description
INF	1016	Restart device
INF	1017	New entries in Event logbook
INF	1018	Adjustment limits exceeded
INF	1019	Configuration mode
INF	1020	Parameter lock open
INF	1021	Air test mode
INF	1022	Metrology logbook full
WRN	2001	Impulse frequency > fmax
WRN	2002	Ext. supply failed
WRN	2003	RTC battery empty
WRN	2004	Backup restore failed
WRN	2005	Pressure sensor failed
WRN	2006	Temperature sensor failed
WRN	2007	Internal PT sensor failed
WRN	2008	Warning path failure
WRN	2009	Flow profile limit exceeded
WRN	2010	System warning threshold exceeded
WRN	2011	Trend limit exceeded
ERR	3001	Event logbook full
ERR	3002	Totalizer checksum error
ERR	3003	Firmware checksum error
ERR	3004	Parameter invalid
ERR	3005	Archive checksum error
ERR	3006	Time invalid
ERR	3007	System test active
ERR	3008	Run-time measurement mode
ERR	3009	DSP hardware failed
ERR	3010	DSP parameter invalid
ERR	3011	Error path failure

7.2 **Starting a diagnostic session**


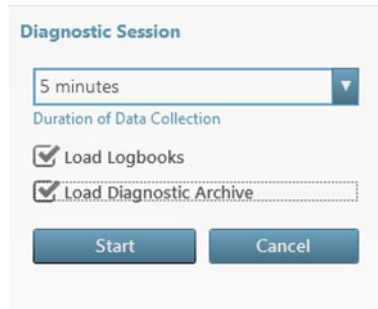
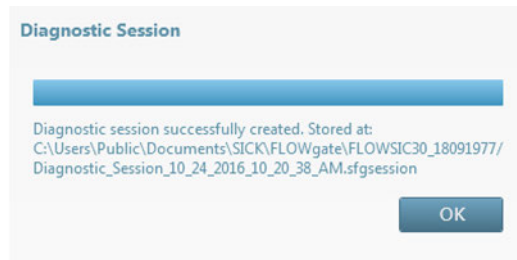
- 1 Click the  icon in the tool bar to start a diagnostic session.
- 2 Select the desired data collection time.  
It is recommended to select a minimum data collection time of 5 minutes and to load the logbooks and data archives

Fig. 56 Data collection time for the diagnostic session



- 3 Click "Start" to start recording.  
The following message with the current storage location of the data collection is shown after successful creation of the diagnostic session.


Fig. 57 Diagnostic recording completed



- 4 Click "OK" to confirm the message.
  - Click "Save as" to select a storage location for the diagnostic recording.
  - Click "E-mail" to send the file per e-mail. The file is appended to an e-mail when an e-mail client is available.
  - Click "Close" to leave the file at the standard storage location.

Fig. 58 Save the diagnostic session



 The diagnostic sessions are saved as files with the ending .sfgsession. The files are saved by default under:  
C:\Users\Public\Documents\SICK\FLOWgate  
The name of the storage folder consists of device type and serial number of the device.



# FLWSIC600-XT

## 8 Specifications

Conformities  
Technical data  
Measuring ranges  
Dimensions

## 8.1 Conformities

### 8.1.1 CE certificate

The FLOWSIC600-XT has been developed, manufactured and tested in accordance with the following EU Directives:

- Pressure Equipment Directive 2014/68/EU
- ATEX Directive 2014/34/EU
- EMC Directive 2014/30/EU
- Measuring Instrument Directive 2014/32/EU

Conformity with the above directives has been verified and the device has been marked with the CE label. The special identification of the pressure devices as demanded in accordance with Pressure Device Guideline 2014/68/EC, Parts 3.3 and 3.4, can be found in the Manufacturer Data Report of the FLOWSIC600-XT.

### 8.1.2 Standards compatibility and type approval

The FLOWSIC600-XT conforms with the following standards or recommendations:

- EN 60079-0:2012, EN 60079-1: 2014, EN 60079-7:2015, EN 60079-11:2012, EN60079-15:2010,
- EN 60079-26:2015, EN 60079-28:2015, EN 61326-1:2013
- EN 61010-1 (Safety requirements for electrical equipment)
- EN 60529: 1991/A1:2000/A2:2013 (IP)
- AGA Report No. 9, 3rd Edition 2017 “Measurement of Gas by Multipath Ultrasonic Meters”
- API 21.1 “Flow Measurement Using Electronic Metering Systems”
- BS 7965:2013, “Guide to the selection, installation, operation and calibration of diagonal path transit time ultrasonic flowmeters for industrial gas applications”
- ISO 17089-1:2019 “Measurement of fluid flow in closed conduits - Ultrasonic meters for gas - Part 1: Meters for custody transfer and allocation measurement”
- OIML R 137-1&2 Edition 2012 (E) “Gas meters, Part 1: Metrological and technical requirements, Part 2: Metrological controls and performance tests”
- OIML D 11 Edition 2013 (E) “General requirements for electronic measuring instruments”

The device is designed according to the following type approvals:

- Europe: MID approval, DE-16-MIOO2-PTB001
- GOST 67355-17 (see FLOWSIC600-XT Addendum to the Operating Instructions “Installation requirements and accuracy of the meter in accordance with Russian type approval”)

### 8.1.3 WELMEC conformity

The FLOWSIC600-XT conforms with:

- WELMEC 7.2 Issue 5, “Software Guide”
- WELMEC 11.1 Issue 4, “Common Application for utility meters”
- WELMEC 11.3 Issue 1, “Guide for sealing of utility meters”



## 8.2 Technical data

The exact device specifications and performance data of the product can deviate and depend on the respective application and customer specification.



Installation requirements in accordance with GOST, see document "8020847 Installation Requirements GOST"

Table 17 Technical data

Meter characteristics and measuring parameters		
Measured variables	Actual flow rate, volume at flowing conditions, gas velocity, sound velocity, optional volume correction via integrated electronic volume converter (EVC)	
Number of measuring paths	4, 4+1 (2plex), 4+4 (Quatro), 8 (Forte)	
Measuring principle	Ultrasonic transit time difference measurement	
Measured medium	Natural gas, air, natural gases with increased amounts of CO <sub>2</sub> , N <sub>2</sub> , H <sub>2</sub> S, O <sub>2</sub> , H <sub>2</sub> ≤ 20Vol%	
Measuring ranges	Q <sub>min</sub> : 5 ... 750 m <sup>3</sup> /h Q <sub>max</sub> : 1,000 ... 100,000 m <sup>3</sup> /h Measuring ranges depending on nominal pipe size	
Repeatability	± 0.05 % of the measured value	
Accuracy	Error limits Q <sub>t</sub> ... Q <sub>max</sub>	
	4-path- and 8-path versions: ≤ ± 0.5%, dry calibrated	
	≤ ± 0.2% After flow calibration and adjustment with constant factor. Without uncertainty of the calibration test facility.	
Minimum line requirements	4-path version:	
	According to OIML Class 1.0	With straight inlet section ≥ 10D or ≥ 5D with flow conditioner.
	According to OIML Class 0.5	With straight inlet section ≥ 10D and flow conditioner
	8-path version:	
	According to OIML Class 1.0	With straight inlet section ≥ 2D
	According to OIML Class 0.5	With straight inlet section ≥ 5D
Diagnostics functions	i-diagnostics™: Integrated device diagnostics and intelligent advanced device and application diagnostics via the FLOWgate™ operating software	
Gas temperature	-46 °C ... +180 °C (ATEX/IECEX) -40 °C ... +180 °C -194 °C ... +280 °C (on request)	
Operating pressure	0 bar(g) ... 160 bar (g) On request: 0 bar(g) ... 450 bar (g)	
Nominal pipe size	3" ... 56" (DN 80 ... DN 1400) Other nominal sizes on request	
Ambient conditions		
Ambient temperature	-40 °C ... +70 °C (-60 °C ... +70 °C with enclosure for electronics)	
Storage temperature	-40 °C ... +70 °C (-60 °C ... +70 °C for the meter body)	
Ambient humidity	≤ 95 % relative humidity, non-condensing	
Ambient pressure	0.8 ... 1.1 bar	
Contamination level	2	

Conformities and Approvals	
Conformities	OIML R137 1&2-2012 OIML D11-2013 ISO 17089-1 AGA Report No. 9 MID 2014/32/EU PED 2014/68/EU ATEX 2014/34/EU EMC 2014/30/EU GOST 8.611-2013 GOST 8.733-2011
Ex Approvals	IECEX Ex db ia op is [ia Ga] IIA /IIC T4 Gb Ex db eb ia op is [ia Ga] IIA/IIC T4 Gb Ex ia op is IIA/IIC T4 Ga Ex nA ia op is IIC T4 Gc
	ATEX II 2 (1) G Ex db ia op is [ia Ga] IIA /IIC T4 Gb II 2 (1) G Ex db eb ia op is [ia Ga] IIA/IIC T4 Gb II 1G Ex ia op is IIA/IIC T4 Ga II 3G Ex nA ia op is IIC T4 Gc
	NEC/CEC (US/CA) Explosion-proof/non-flammable: CI I, Div. 1 Group D, T4 / Ex d ia [ia Ga] IIA T4 Gb / CI I, Zone 1 AEx d ia op is [ia Ga] IIA T4 Gb CI I, Div. 2 Groups A, B, C, D, T4 /Ex ia nA IIC T4 Gc / CI I Zone 2, AEx ia nA op is IIC T4 Gc CI I, Div. 1 Groups B, C, D, T4 / Ex d ia [ia Ga] IIC T4 Gb / CI I, Zone 1 AEx d ia op is [ia Ga] IIC T4 Gb CI I, Div. 2 Groups A, B, C, D, T4 / Ex ia nA IIC T4 Gc / CI I, Zone 2, AEx ia nA op is IIC T4 Gc  Intrinsically safe: CI I, Div. 1 Group D T4 / Ex ia IIA T4 Ga / CI I, Zone 0, AEx ia op is IIA T4 Ga CI I, Div. 1 Groups A, B, C, D, T4 / Ex ia IIC T4 Ga / CI I, Zone 0, AEx ia op is IIC T4 Ga  Non-flammable: CI I, Div. 2, Groups A, B, C, D, T4 / Ex ia nA IIC T4 Gc / CI I Zone 2, AEx ia nA op is IIC T4 Gc
IP classification	IP66 according to ATEX/IECEX/CSA approval IP67 according to IEC60529, with additional Certificate
Outputs and interfaces	
Analog outputs	1 output: 4 ... 20 mA, max. 250 Ω Active/passive, electrically isolated
Digital outputs	4 outputs: ≤ 30 V, 50 mA Passive, electrically isolated, Open Collector or in accordance with NAMUR (DIN EN 60947-5-6), f <sub>max</sub> = 10 kHz
Interfaces	Optical Service interface (IR, in accordance with IEC 62056-21) RS-485 (3x) Ethernet TCP (1x optional) HART-Master (external pressure and temperature transmitter) Encoder
Bus protocol	Modbus ASCII Modbus RTU Modbus TCP (optional)  Register assignments (optional): DSFG, instance F / ISO 17089 FLOWSIC600-compatible Modbus registers
Operation	Via meter display (read access) and the FLOWgate™ operating software

<b>Installation</b>	
Dimensions (W x H x D)	See dimension drawings
Weight	Depending on device version
Material in contact with media	Low-temperature carbon steel, stainless steel, Duplex steel
<b>Electrical connection</b>	
Voltage	Flameproof pressurized electronics variant / electronics variant with terminal compartment in increased type of protection: Electrically isolated: 12 ... 24 V DC, $\pm 10\%$
	Intrinsically safe electronics variant: 6 ... 16 V DC, $\pm 10\%$
	PowerIn Technology™ with backup battery (2,400 mAh, 10.8 V), optional for all electronics variants
	Overvoltage category 1
Power input	Typically 0.45 W ... 2.45 W Dependent on selected electronics configuration
<b>Components fitted (optional)</b>	
Pressure and temperature sensor	Values measured for pressure and temperature are used to correct the meter body geometry and to determine the current Reynolds number.

Table 18 Volume conversion

Conversion method	PTZ (optional integrated)
Calculation method for compressibility	SGERG88 AGA 8 Gross method 1 AGA 8 Gross method 2 AGA NX-19 AGA NX-19 mod. NX-19 mod. (GOST) GERG91 mod. (GOST) Fixed value GOST 3031.2-2015
Data archives	1 diagnostics archive (6,000 entries) 2 configurable measuring period archives (6,000 entries each)
Logbooks	Event logbook (1,000 entries) Parameter logbook (200 entries) Metrology logbook (50 entries)

8.3 **Measuring ranges**

Table 19 Measuring ranges (metric)

Meter size	Extended flow rate range acc. MID				Non-MID maximum flow rate [m <sup>3</sup> /h]	Velocity	
	extended MID minimum flow rate [m <sup>3</sup> /h]	Standard flow rate range acc. MID				m/s	
		Standard MID minimum flow rate [m <sup>3</sup> /h]	MID transition flow rate [m <sup>3</sup> /h]	MID maximum flow rate [m <sup>3</sup> /h]		V <sub>max</sub> <sup>[3]</sup>	V <sub>t</sub>
	extended Q <sub>min</sub>	Standard Q <sub>min</sub>	acc. ISO17089 Q <sub>t</sub>	Standard Q <sub>max</sub>	extended Maximal Q <sub>max</sub>		
DN80 (3")	5	8	40	650	1.000	61	2,5
DN100 (4")	8	13	65	1.000	1.600	63	2,5
DN150 (6")	16	20	100	2.500	3.000	52	1,7
DN200 (8")	20	32	160	4.000	4.500	44	1,6
DN250 (10")	25	50	240	6.500	7.000	44	1,5
DN300 (12")	35	65	310	7.800	8.000	39	1,5
DN350 (14")	45	80	420	10.000	10.000	36	1,5
DN400 (16")	60	120	550	13.000	14.000	38	1,5
DN450 (18")	100	130	700	16.000	17.000	37	1,5
DN500 (20")	130	200	850	20.000	20.000	35	1,5
DN550 (22")	150	260	1.000	24.000	24.000	35	1,5
DN600 (24")	180	320	1.200	28.000	32.000	39	1,5
DN650 (26")	240	450	1.400	32.000	35.000	36	1,5
DN700 (28")	280	650	1.700	36.000	40.000	36	1,5
DN750 (30")	320	650	1.900	40.000	45.000	35	1,5
DN800 (32")	360	800	2.200	43.000	50.000	34	1,5
DN850 (34")	400	900	2.500	47.000	55.000	33	1,5
DN900 (36")	450	1.000	2.800	51.000	66.000	36	1,5
DN950 (38")	500	1.100	3.100	56.000	70.000	34	1,5
DN1000 (40")	550	1.200	3.400	60.000	80.000	35	1,5
DN1050 (42")	600	1.300	3.800	65.000	85.000	34	1,5
DN1100 (44")	650	1.400	4.100	70.000	90.000	32	1,5
DN1150 (46")	700	1.500	4.500	72.000	95.000	34	1,5
DN1200 (48")	750	1.600	4.800	80.000	100.000	30	1,5
DN1300 (52")	900	1.700	5.600	90.000	110.000	28	1,5
DN1400 (56")	1.000	1.800	6.500	100.000	120.000	27	1,5

Only the "Standard flow range according to MID" is applicable for device version FLOWSIC600-XT C.  
The maximum gas velocity in the pipe is limited to 40 m/s in configurations with flow conditioner.

Table 20 Measuring ranges (imperial)  
Conversion of values allowed by MID to imperial units (rounded). Values according to MID, see → p. 104, Table 18.

Meter size	Extended flow rate range acc. MID				Non-MID maximum flow rate [ft <sup>3</sup> /h]	Velocity	
	Extended MID minimum flow rate [ft <sup>3</sup> /h]	Standard flow rate range acc. MID				ft/s	
		Standard MID minimum flow rate [ft <sup>3</sup> /h]	MID transition flow rate [ft <sup>3</sup> /h]	MID maximum flow rate [ft <sup>3</sup> /h]		$V_{max}^{[3]}$	$V_t$
	extended $Q_{min}$	Standard $Q_{min}$	acc. ISO17089 $Q_t$	Standard $Q_{max}$	extended maximum $Q_{max}$		
3" (DN80)	180	280	1.400	23.000	35.000	201	8,2
4" (DN100)	290	460	2.300	35.300	56.000	206	8,2
6" (DN150)	570	710	3.500	88.000	106.000	171	5,6
8" (DN200)	710	1.130	5.700	141.300	159.000	145	5,2
10" (DN250)	880	1.800	8.500	230.000	247.000	145	5,0
12" (DN300)	1.200	2.300	10.900	276.000	283.000	127	5,0
14" (DN350)	1.600	2.800	14.800	353.000	354.000	117	5,0
16" (DN400)	2.100	4.200	19.400	459.000	495.000	125	5,0
18" (DN450)	3.500	4.600	24.700	565.000	602.000	120	5,0
20" (DN500)	4.600	7.100	30.000	706.000	708.000	115	5,0
22" (DN550)	5.300	9.200	35.000	848.000	850.000	115	5,0
24" (DN600)	6.400	11.300	42.000	989.000	1.133.000	127	5,0
26" (DN650)	8.500	15.900	49.000	1.130.000	1.240.000	118	5,0
28" (DN700)	9.900	23.000	60.000	1.271.000	1.420.000	118	5,0
30" (DN750)	11.300	23.000	67.000	1.413.000	1.590.000	115	5,0
32" (DN800)	12.700	28.300	78.000	1.519.000	1.770.000	112	5,0
34" (DN850)	14.200	31.800	88.000	1.660.000	1.950.000	109	5,0
36" (DN900)	15.900	35.300	99.000	1.801.000	2.337.000	118	5,0
38" (DN950)	17.700	38.800	109.000	1.978.000	2.479.000	112	5,0
40" (DN1000)	19.500	42.400	120.000	2.119.000	2.833.000	115	5,0
42" (DN1050)	21.200	45.900	134.000	2.296.000	3.010.000	110	5,0
44" (DN1100)	23.000	49.400	145.000	2.472.000	3.187.000	107	5,0
46" (DN1150)	24.800	53.000	159.000	2.543.000	3.364.000	110	5,0
48" (DN1200)	26.600	56.500	170.000	2.825.000	3.541.000	99	5,0
52" (DN1300)	31.800	60.000	198.000	3.178.000	3.885.000	92	5,0
56" (DN1400)	35.300	63.600	230.000	3.532.000	4.238.000	89	5,0

Only the "Standard flow range according to MID" is applicable for device version FLOWSIC600-XT C.  
The maximum gas velocity in the pipe is limited to 131 ft/s in configurations with flow conditioner.

8.4 **Dimensions**

Fig. 59 FLOWSIC600-XT and FLOWSIC600-XT Forte

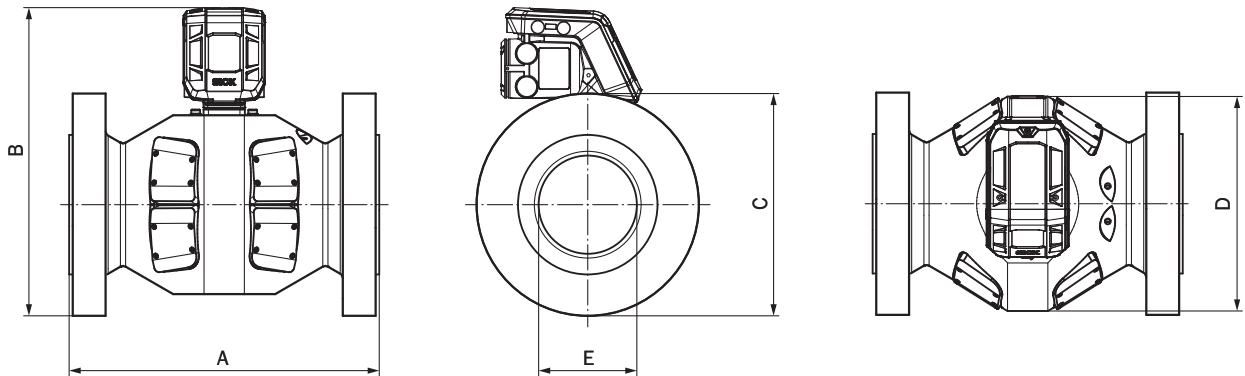


Fig. 60 FLOWSIC600-XT 2plex and FLOWSIC600-XT Quatro

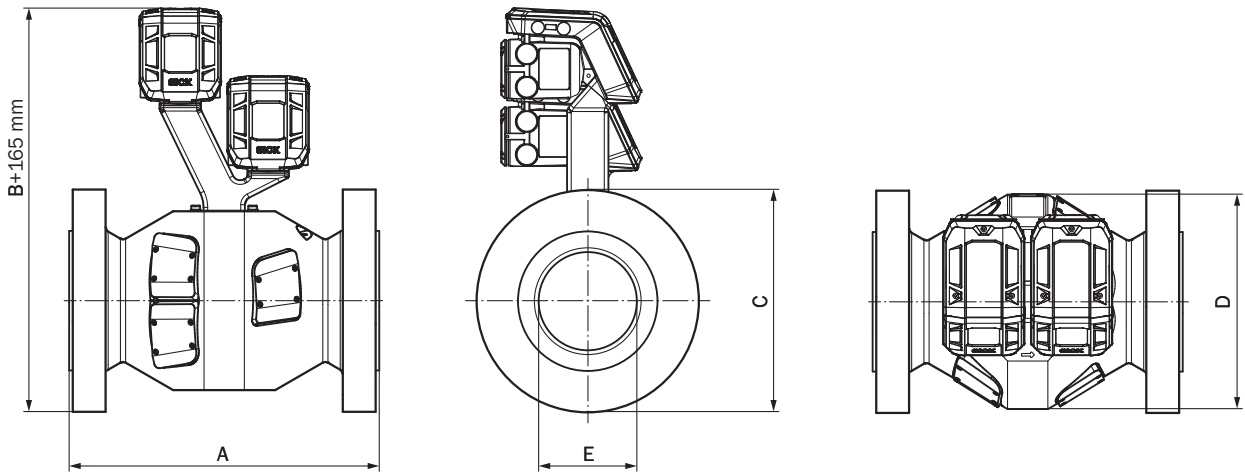
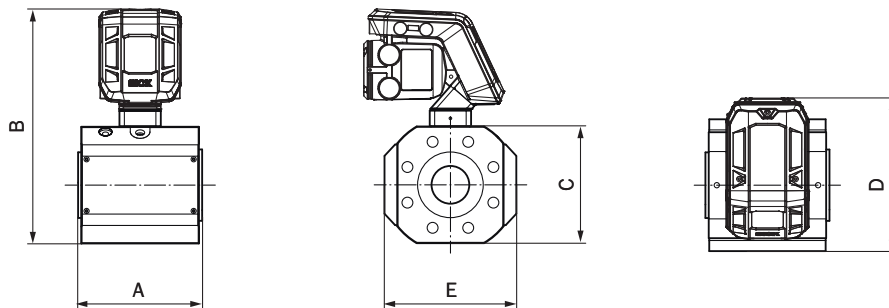


Fig. 61 FLOWSIC600-XT: 3" version for pressure levels up to Class 600/PN100



Subject to change without notice

Fig. 62 FLOWSIC600-XT: 3" - 5D version

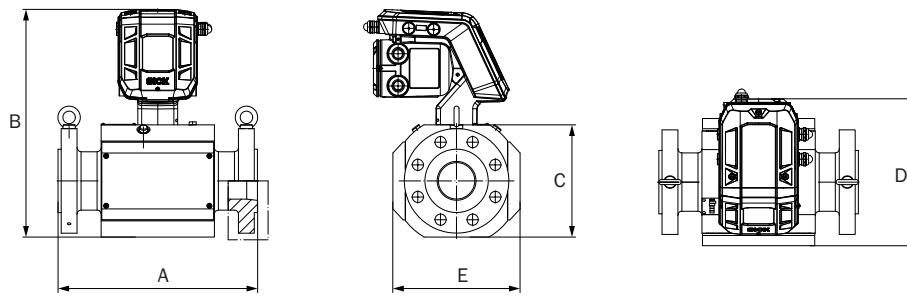


Table 21 Dimensions

Nominal pipe size	Connection flange	Standard	Weight <sup>[1]</sup>	Length (A)	Height <sup>[2]</sup> (B)	Flange diameter (C)	Outer diameter, meter body (D)	Inner diameter (E)
			[kg]	[mm]	[mm]	[mm]	[mm]	[mm]
3"	cl. 150	ANSI B16.5	73	240 / 400 <sup>[3]</sup>	455	225	269.5	73
	cl. 300							
	cl. 600							
	cl. 900		120	400		461		
DN80	PN 16	EN 1092-1	75	240 / 400 <sup>[3]</sup>	454	200		
	PN 63					215		
	PN 100					230		
4"	cl. 150	ANSI B16.5	118	300 / 500 <sup>[3]</sup>	480	250	291	95
	cl. 300							
	cl. 600		130	500		290		
	cl. 900							
DN100	PN 16	EN 1092-1	110	300 / 500 <sup>[3]</sup>		220		
	PN 63	EN 1092-1	120			250		
	PN 100	EN 1092-1	126			265		
6"	cl. 150	ANSI B16.5	128	450	505	280	332	142
	cl. 300		145		525			
	cl. 600		170	750	542.5	355		
	cl. 900		238		540	380		
DN150	PN 16	EN 1092-1	140	450		285		
	PN 63	EN 1092-1	162			345		
	PN 100	EN 1092-1	176			355		
8"	cl. 150	ANSI B16.5	255	600	617	345	415	190
	cl. 300		276			380		
	cl. 600		316			420		
	cl. 900		360			470		
DN200	PN 16	EN 1092-1	260			340		
	PN 63	EN 1092-1	298			415		
	PN 100	EN 1092-1	360			430		

Subject to change without notice

Nominal pipe size	Connection flange	Standard	Weight <sup>[1]</sup>	Length (A)	Height <sup>[2]</sup> (B)	Flange diameter (C)	Outer diameter, meter body (D)	Inner diameter (E)	
			[kg]	[mm]	[mm]	[mm]	[mm]	[mm]	
10"	cl. 150	ANSI B16.5	377	750	691	405	480	235	
	cl. 300		411			445			
	cl. 600		485			510			
	cl. 900		528			545			
DN250	PN 16	EN 1092-1	383			405			
	PN 63	EN 1092-1	434			470			
	PN 100	EN 1092-1	486			505			
12"	cl. 150	ANSI B16.5	445	900	728	485	500	270	
	cl. 300		494			520			
	cl. 600		560			560			
	cl. 900		645			610			
DN300	PN 16	EN 1092-1	441			460			
	PN 63	EN 1092-1	509			530			
	PN 100	EN 1092-1			638	585			
14"	cl. 150	ANSI B16.5	475	1050	642	535	540	315	
	cl. 300		600			667			585
	cl. 600		675			677			605
	cl. 900		850			700			640
DN350	PN 16	EN 1092-1	475			635			
	PN 63	EN 1092-1	625			675			
	PN 100	EN 1092-1	750			705			
An optional fitting length of 3D is available for all meters in size 16" and larger									
16"	cl. 150	ANSI B16.5	672	762	844	595	610	360	
	cl. 300		760			650			
	cl. 600		857			685			
	cl. 900		926			705			
DN400	PN 16	EN 1092-1	658	762	844	580			
	PN 63	EN 1092-1	794			670			
18"	cl. 150	ANSI B16.5	660	820	754	635	620	405	
	cl. 300		760			792			710
	cl. 600		960			820			745
	cl. 900		1300			900			830
DN450	Data on request								
20"	cl. 150	ANSI B16.5	750	902	815	700	670	450	
	cl. 300		930			853			775
	cl. 600		1080			872			815
	cl. 900		1500			1000			892
DN500	PN 16	EN 1092-1	700	902	823	715			
22"	Data on request								
DN550	Data on request								
24"	cl. 150	ANSI B16.5	1090	991	927	815	760	540	
	cl. 300		1390			978			915
	cl. 600		1615			990			940
	cl. 900		2100			1200			1040
DN600	PN 16	EN 1092-1	1015	991	940	840			



Nominal pipe size	Connection flange	Standard	Weight <sup>[1]</sup>	Length (A)	Height <sup>[2]</sup> (B)	Flange diameter (C)	Outer diameter, meter body (D)	Inner diameter (E)
			[kg]	[mm]	[mm]	[mm]	[mm]	[mm]
26"	cl. 150	ASME B16.47	1475	1050	965	870	828	585
	cl. 300		1825		1016	972		
	cl. 600		2100		1038	1016		
	cl. 900		2500	1250	1073	1086		
DN650	Data on request							
28"	cl. 150	ASME B16.47	1950	1100	1027	927	862	630
	cl. 300		2225		1080	1035		
	cl. 600		2450		1100	1073		
	cl. 900		3000	1300	1150	1169		
DN700	Data on request							
30"	cl. 150	ASME B16.47	2195	1150	1080	985	902	675
	cl. 300		2545		1135	1092		
	cl. 600		2820		1154	1130		
	cl. 900		3350	1350	1205	1232		
DN750	Data on request							
32"	cl. 150	ASME B16.47	2485	1200	1145	1061	979	720
	cl. 300		2835		1190	1150		
	cl. 600		3110		1212	1194		
	cl. 900		3800	1400	1272	1315		
DN800	Data on request							
34"	Data on request							
DN850	Data on request							
36"	cl. 150	ASME B16.47	3125	1250	1250	1169	1082	810
	cl. 300		3525		1300	1270		
	cl. 600		3850		1323	1315		
	cl. 900		5225	1450	1396	1461		
DN900	Data on request							
38"	cl. 150	ASME B16.47	3800	1300	1310	1238	1160	855
	cl. 300		3725		1275	1169		
	cl. 600		4300		1325	1270		
	cl. 900		Data on request		1421	1461		
DN950	Data on request							
40"	cl. 150	ASME B16.47	3825	1350	1359	1289	1213	900
	cl. 300		4125		1334	1239		
	cl. 600		4675		1375	1321		
	cl. 900		Data on request		1470	1512		
DN1000	Data on request							
42"	cl. 150	ASME B16.47	4675	1450	1415	1346	1261	945
	cl. 300		4650		1386	1289		
	cl. 600		5450		1444	1404		
	cl. 900		Data on request		1523	1562		
DN1050	PN 16	Data on request						
44"	Data on request							
DN1100	Data on request							
46"	Data on request							
DN1150	Data on request							

Subject to change without notice

Nominal pipe size	Connection flange	Standard	Weight <sup>[1]</sup>	Length (A)	Height <sup>[2]</sup> (B)	Flange diameter (C)	Outer diameter, meter body (D)	Inner diameter (E)
			[kg]	[mm]	[mm]	[mm]	[mm]	[mm]
48"	cl. 150	ASME B16.47	6400	1600	1574	1511	1416	1080
	cl. 300		6475		1552	1467		
	cl. 600		7850		1615	1594		
	cl. 900		12100	1900	1711	1785		
DN1200	Data on request							

[1] Devices with one Signal Processing Unit; devices with two Signal Processing Units: weight + 7 kg

[2] Optional neck extension: B + 200 mm

[3] For versions with flange in 5DN overall length

# FLWSIC600-XT

## 9 Annex

Connection diagrams for operation of the FLOWSIC600-XT in accordance with  
ATEX/IECEX

Connection diagrams for operation of the FLOWSIC600-XT in accordance with CSA  
Wiring examples

Power input of the possible input and output configurations

Type plates (examples)

Model name

9.1

**Connection diagrams for operation of the FLOW SIC600-XT in accordance with ATEX/IECEx**

Fig. 63 Connection diagram 9236580 (page 1)

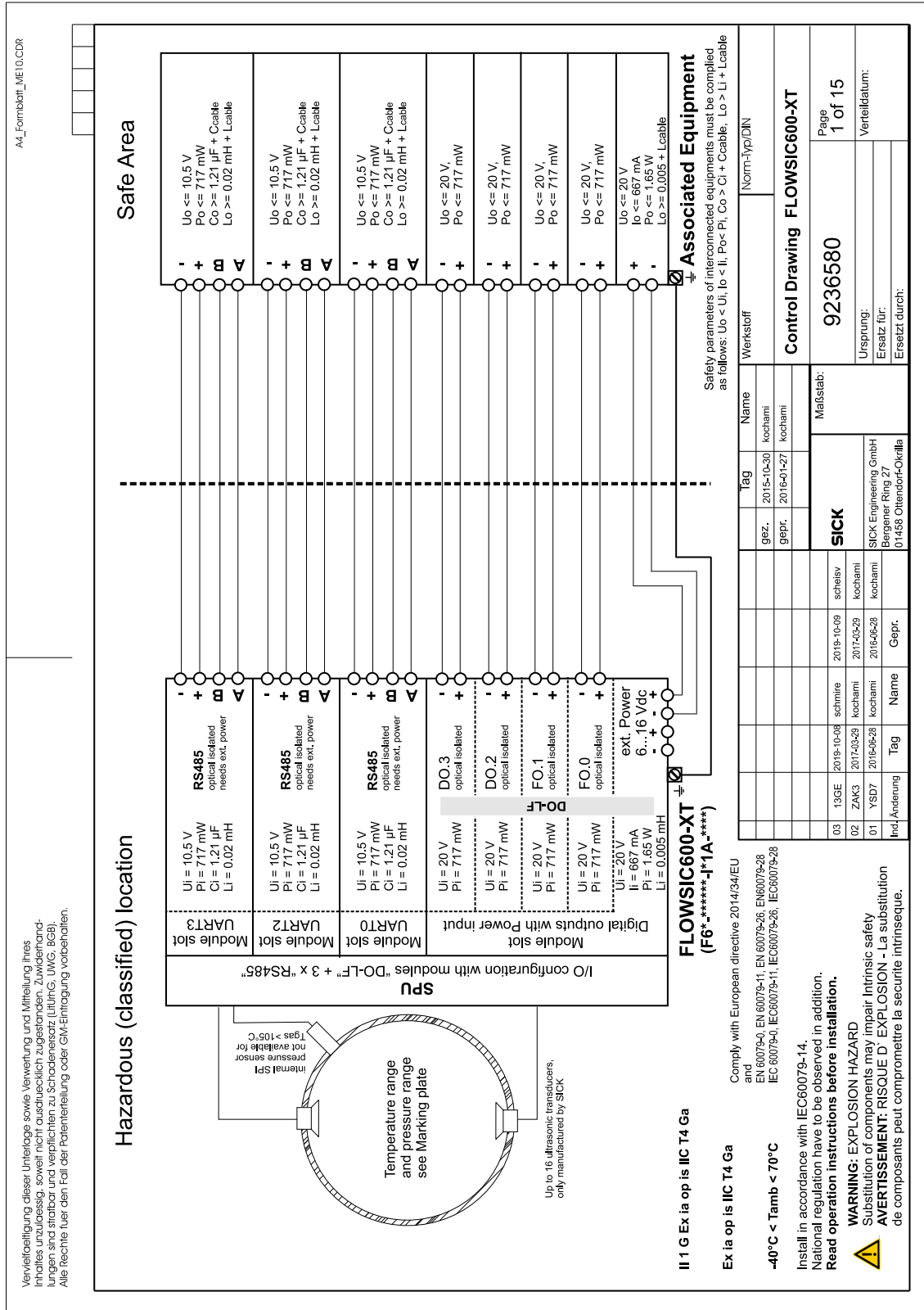


Fig. 64 Connection diagram 9236580 (page 5)

Subject to change without notice

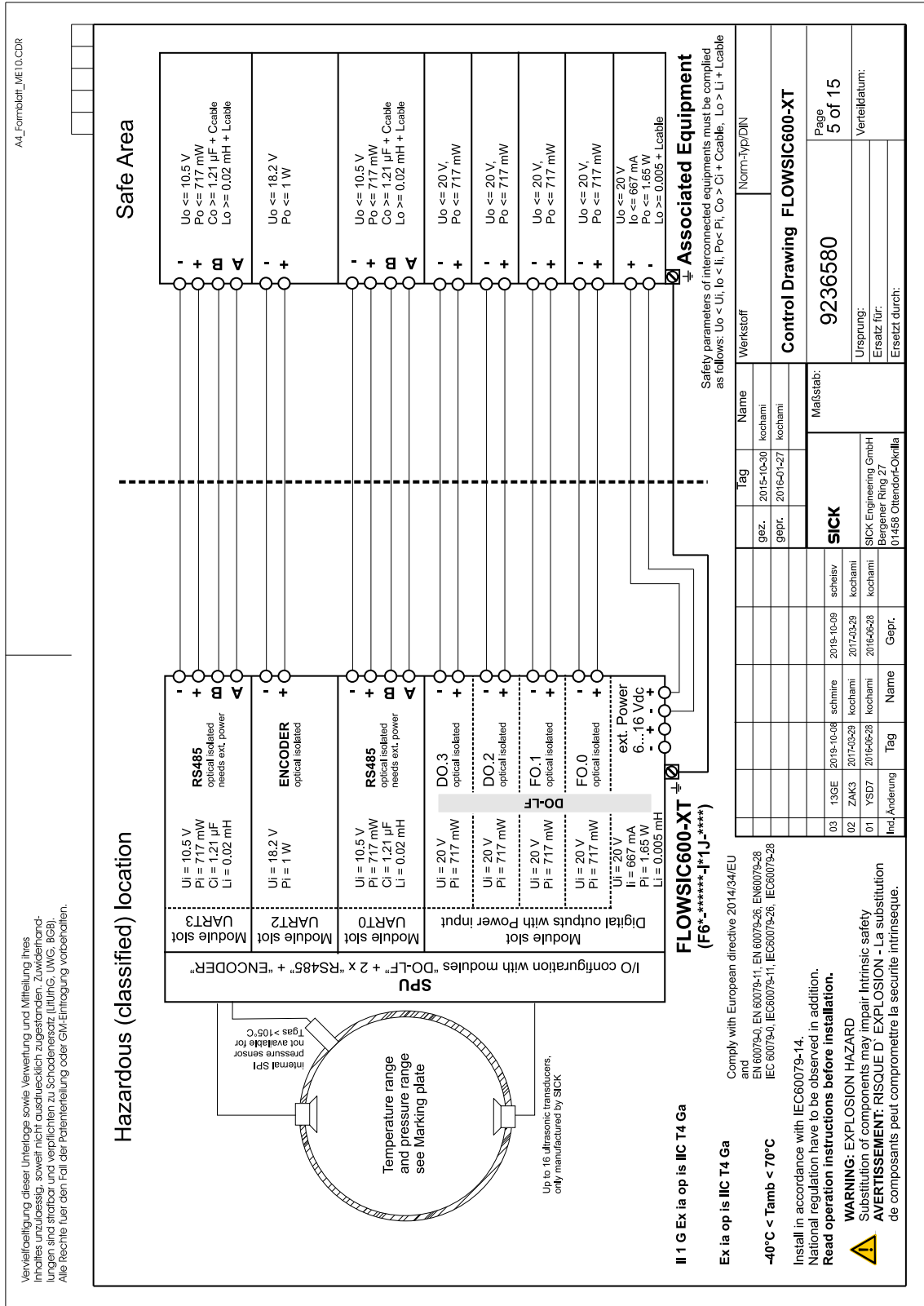


Fig. 65 Connection diagram 9236580 (page 6)

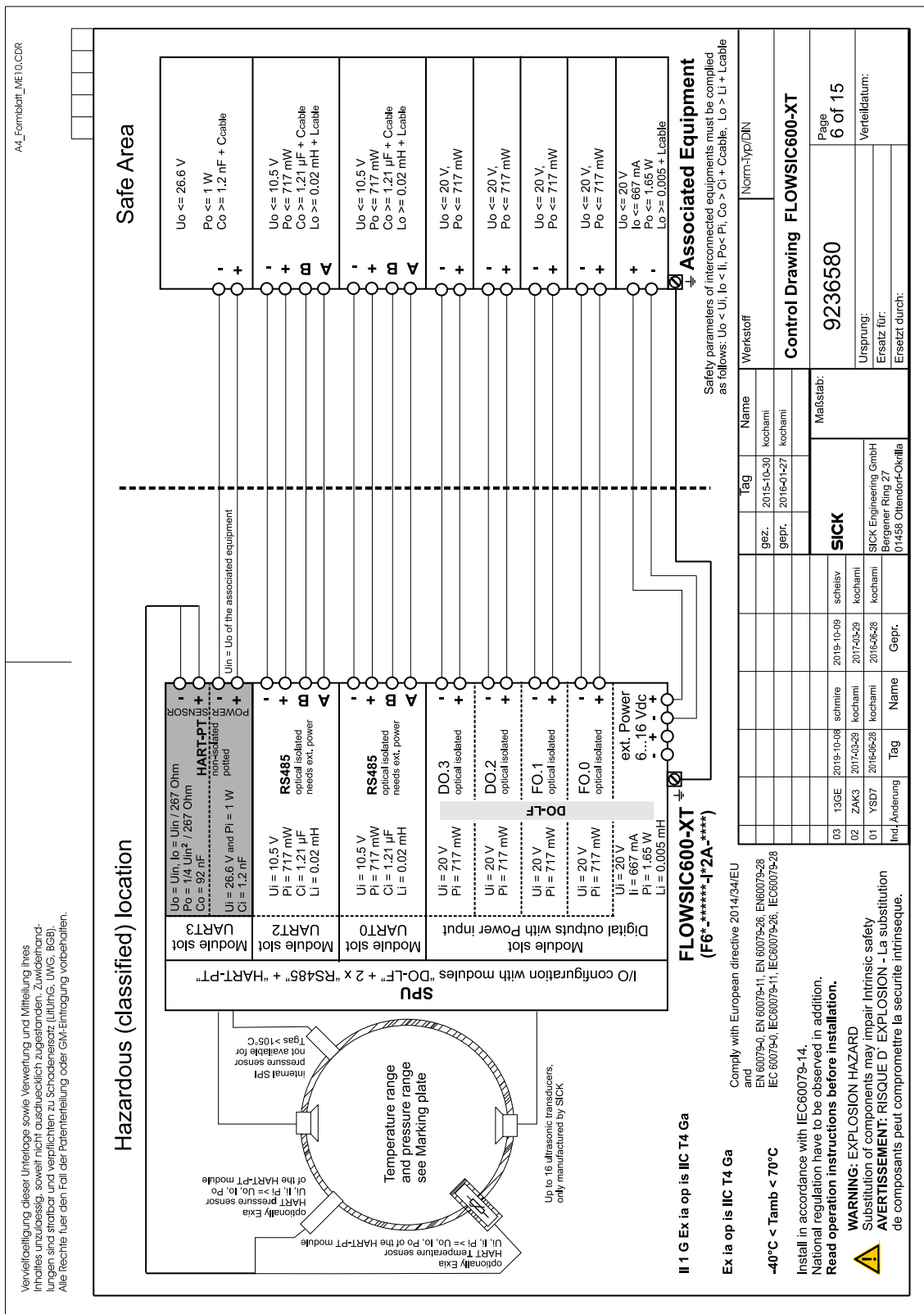


Fig. 66 Connection diagram 9236580 (page 7)

Subject to change without notice

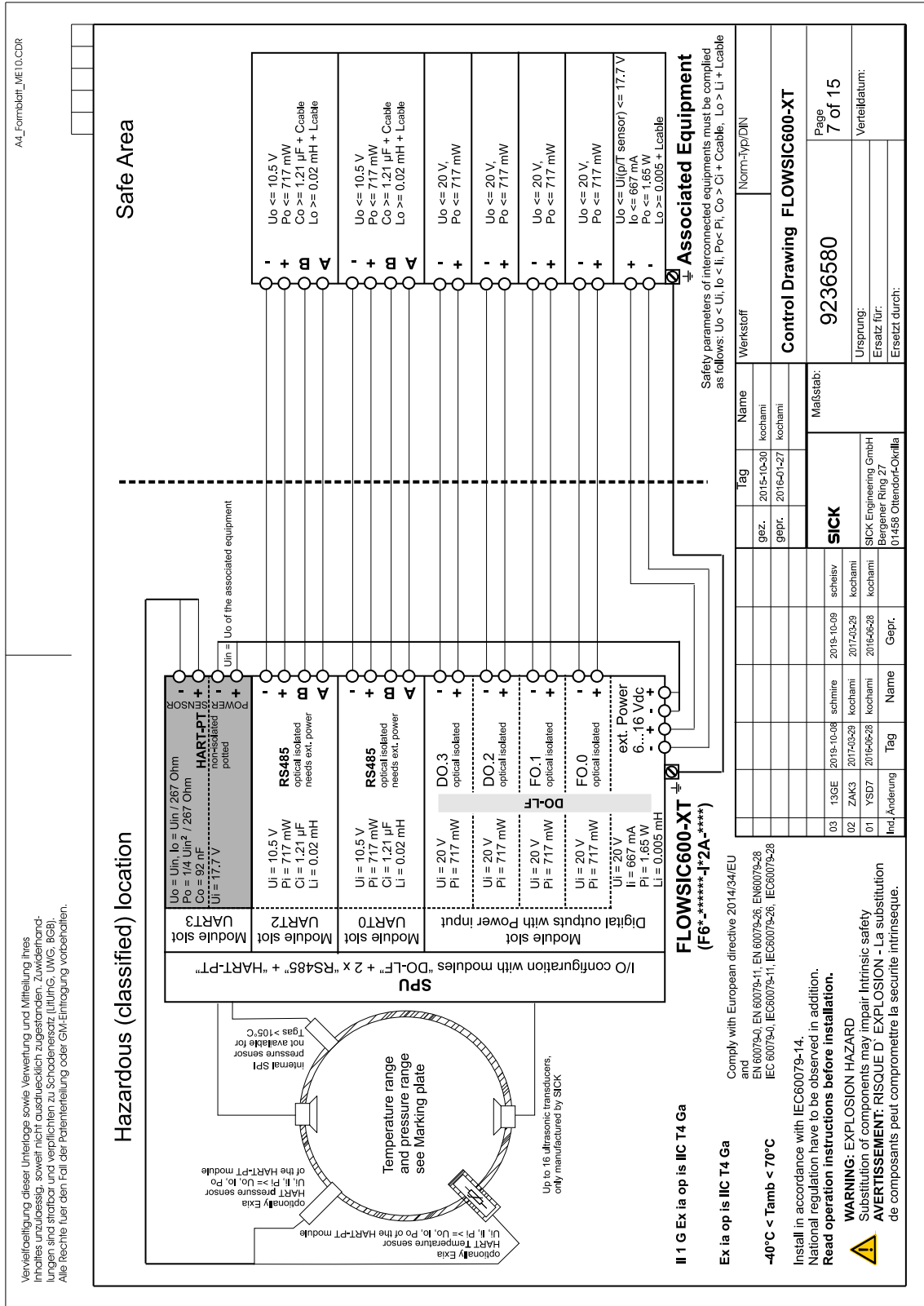


Fig. 67 Connection diagram 9236580 (page 8)

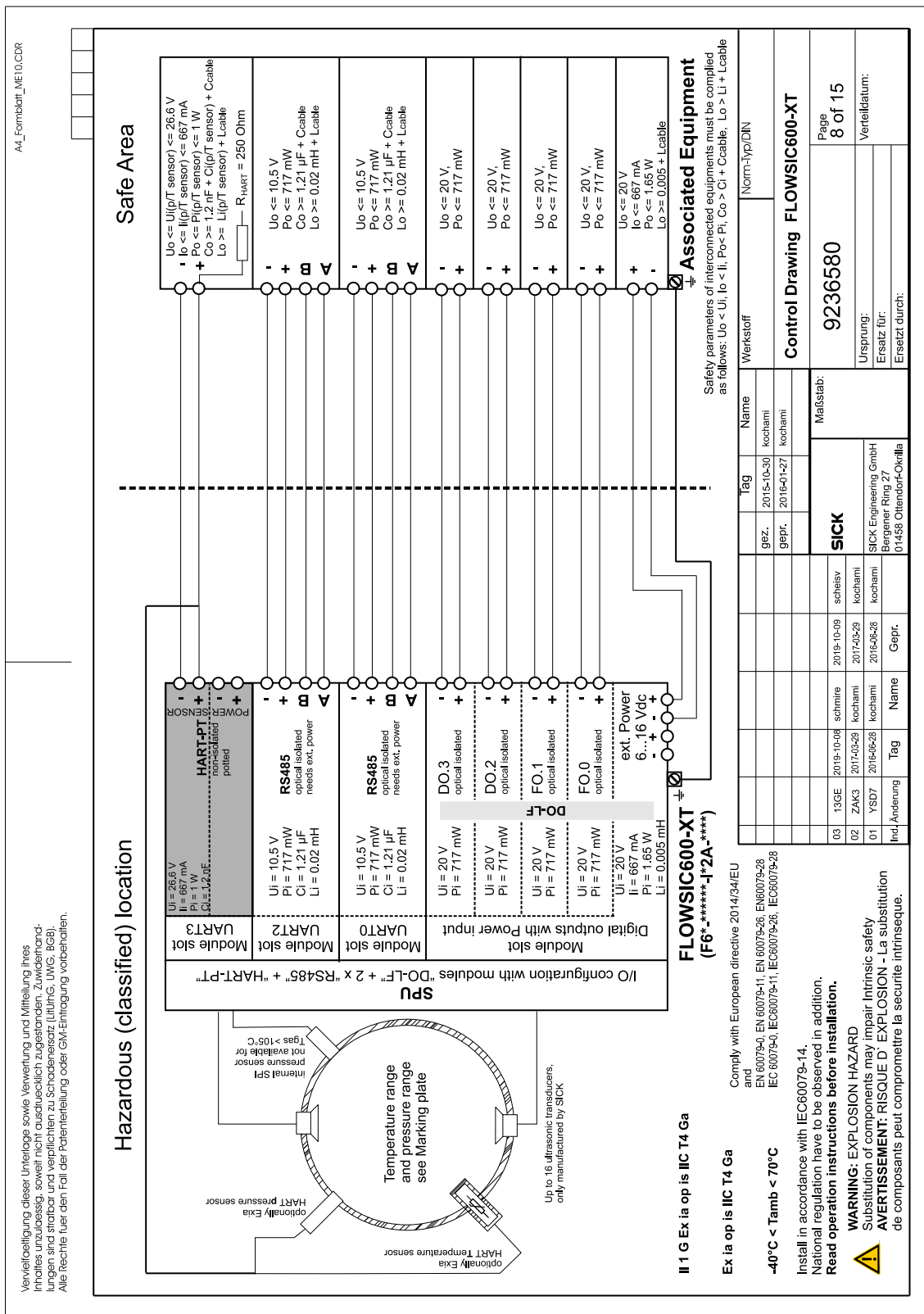




Fig. 68 Connection diagram 9236580 (page 12)

Subject to change without notice

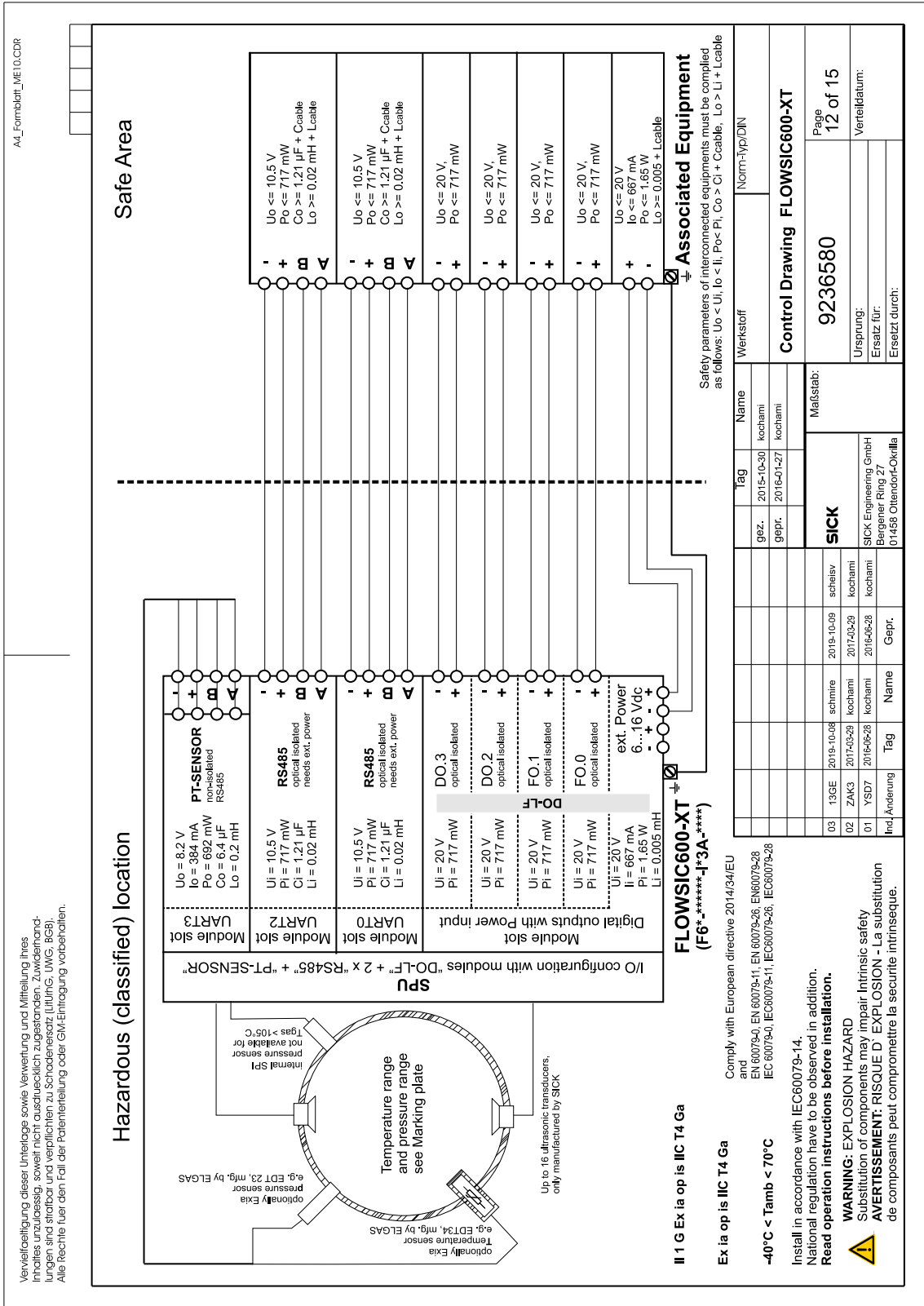


Fig. 69 Connection diagram 9236580 (page 13)

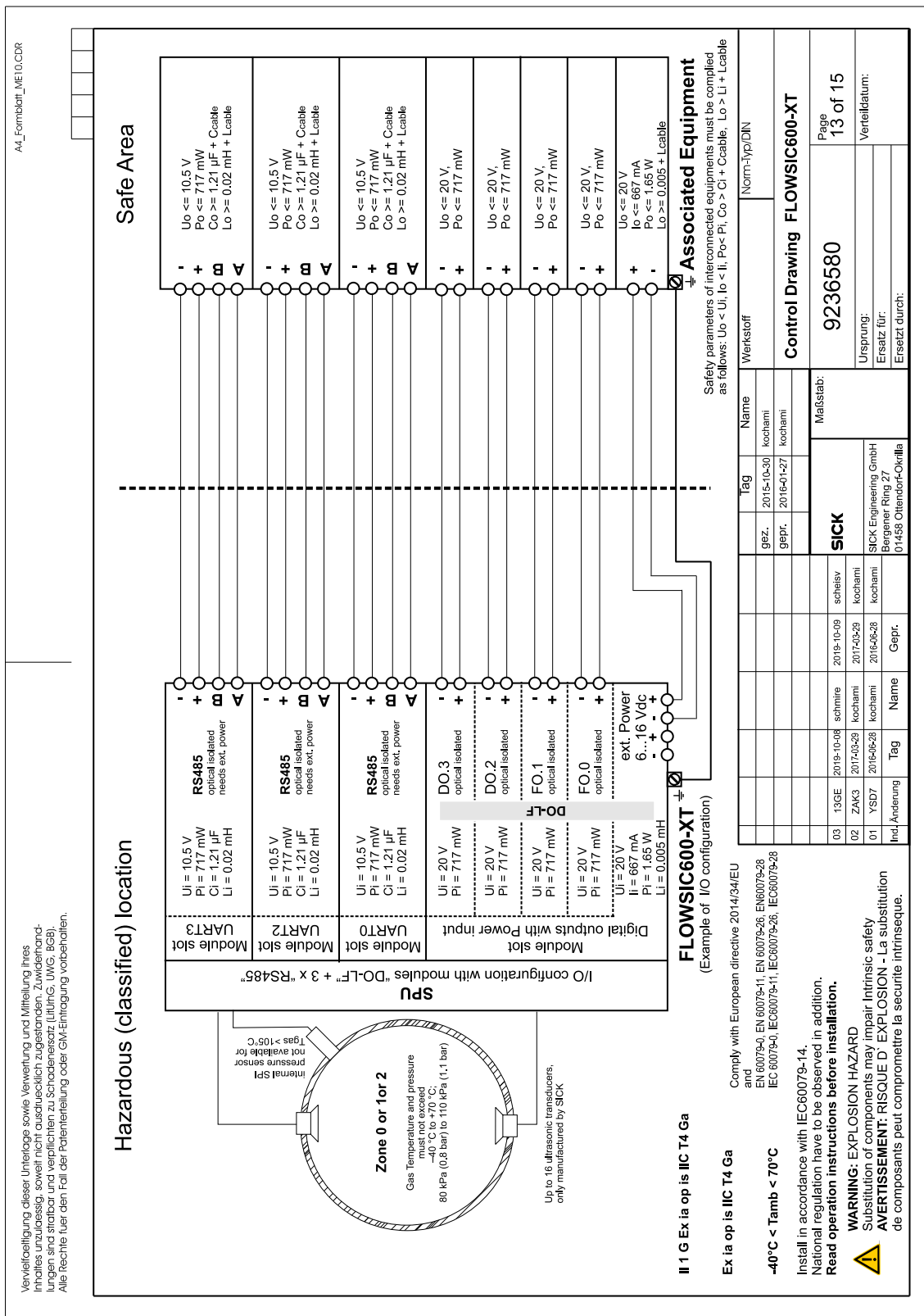


Fig. 70 Connection diagram 9236580 (page 14)

Subject to change without notice

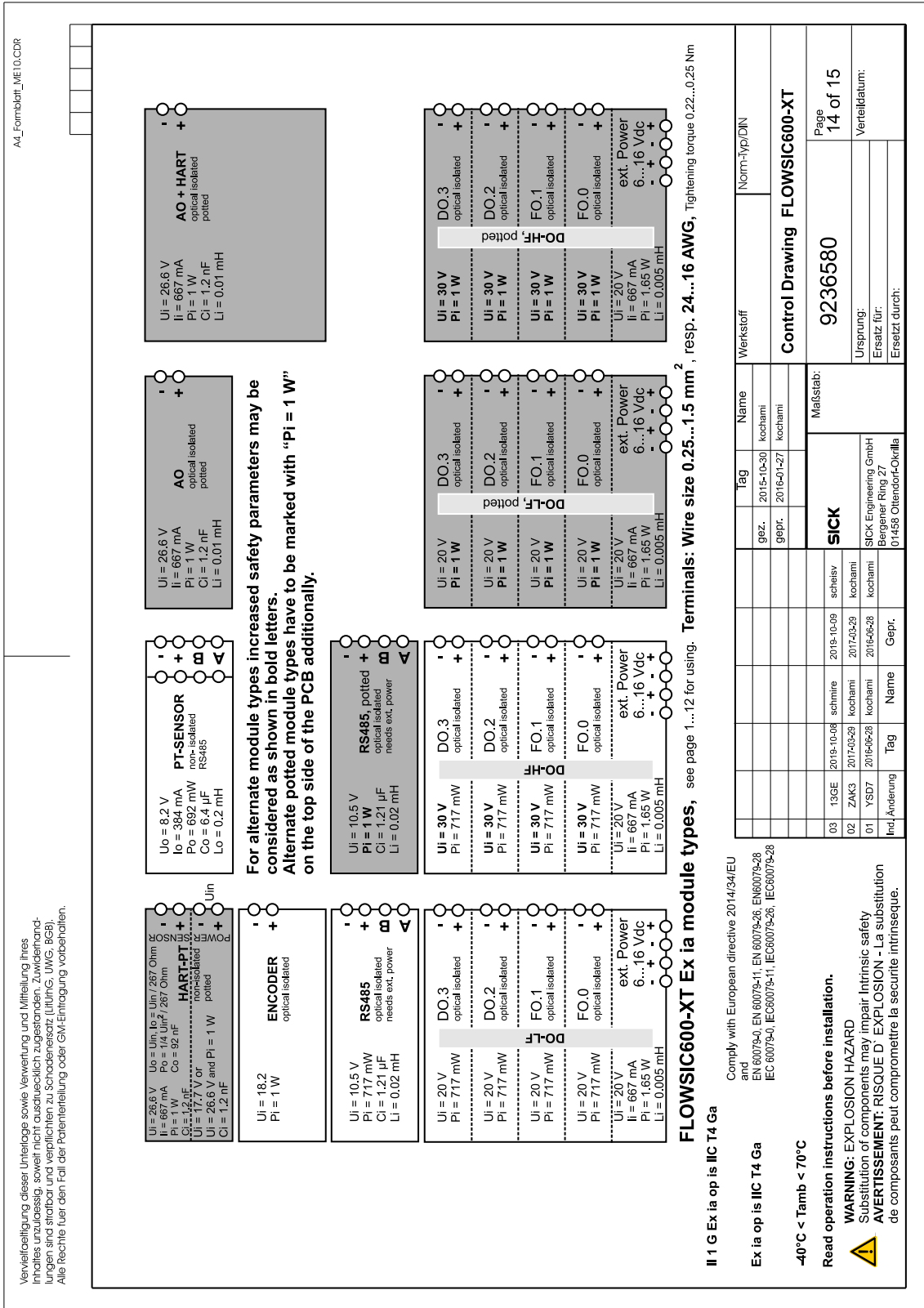
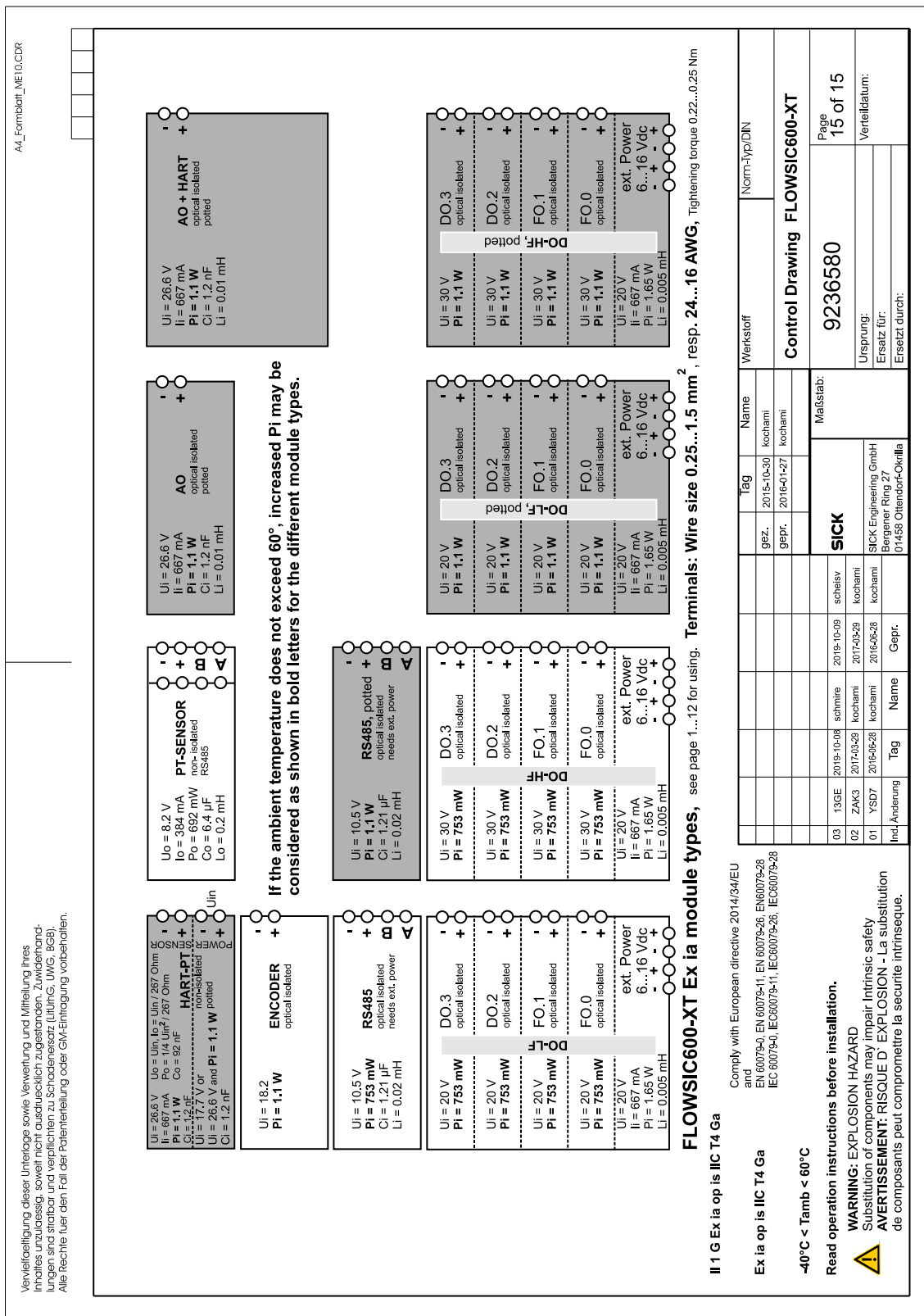


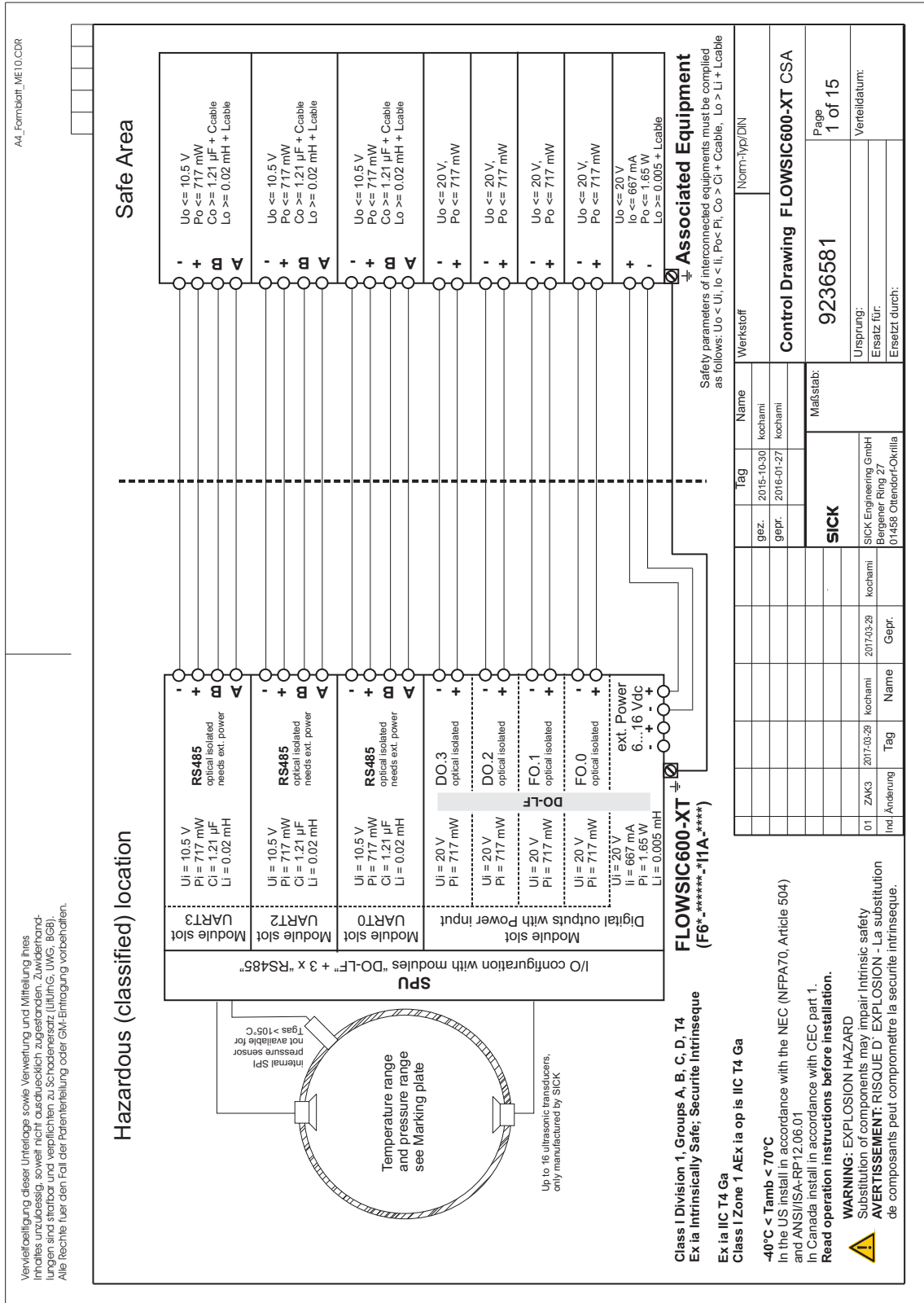
Fig. 71 Connection diagram 9236580 (page 15)



9.2

### Connection diagrams for operation of the FLOWVIC600-XT in accordance with CSA

Fig. 72 Connection diagram 9236581 (page 1)



Subject to change without notice

Fig. 73 Connection diagram 9236581 (page 5)

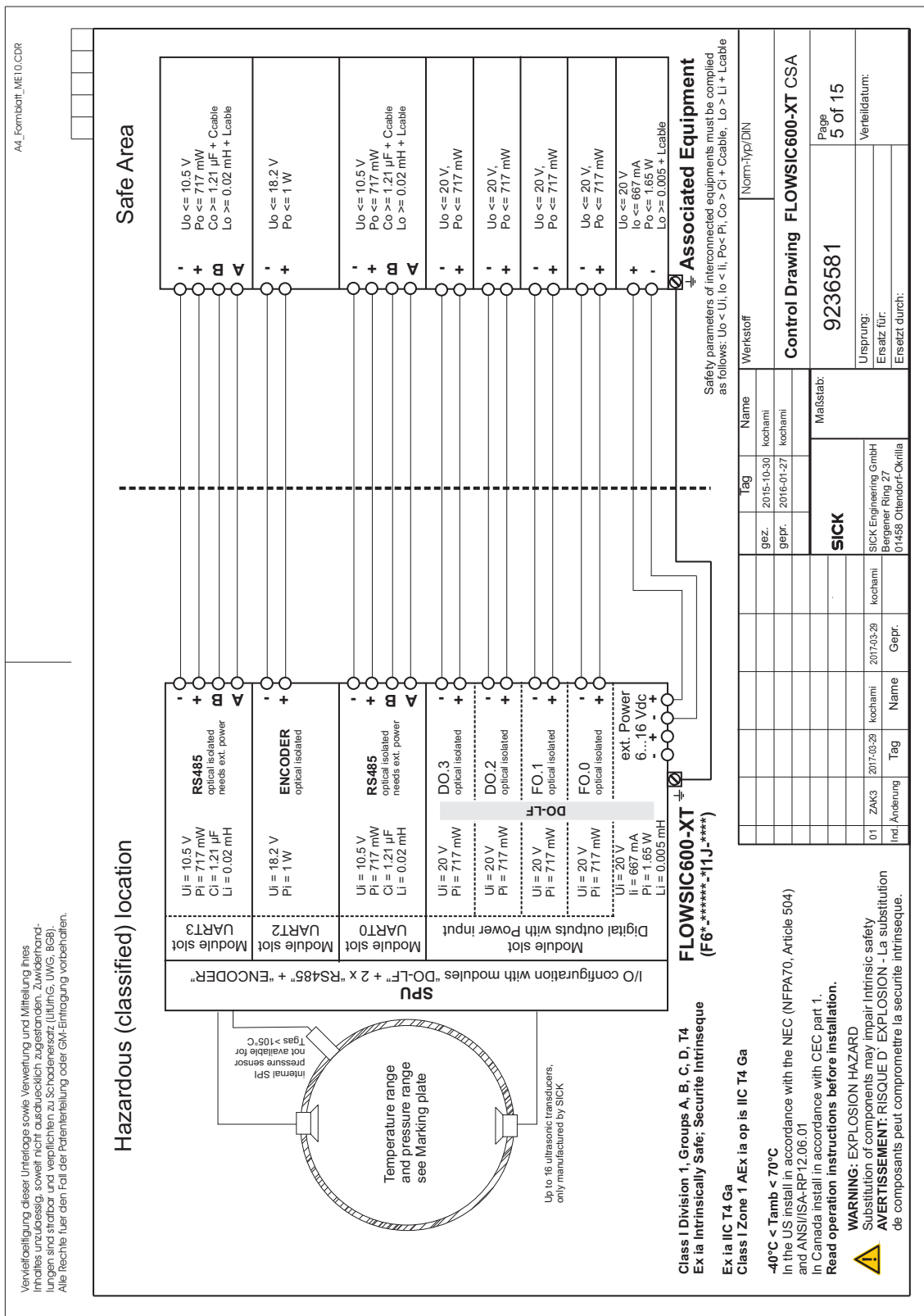


Fig. 74 Connection diagram 9236581 (page 6)

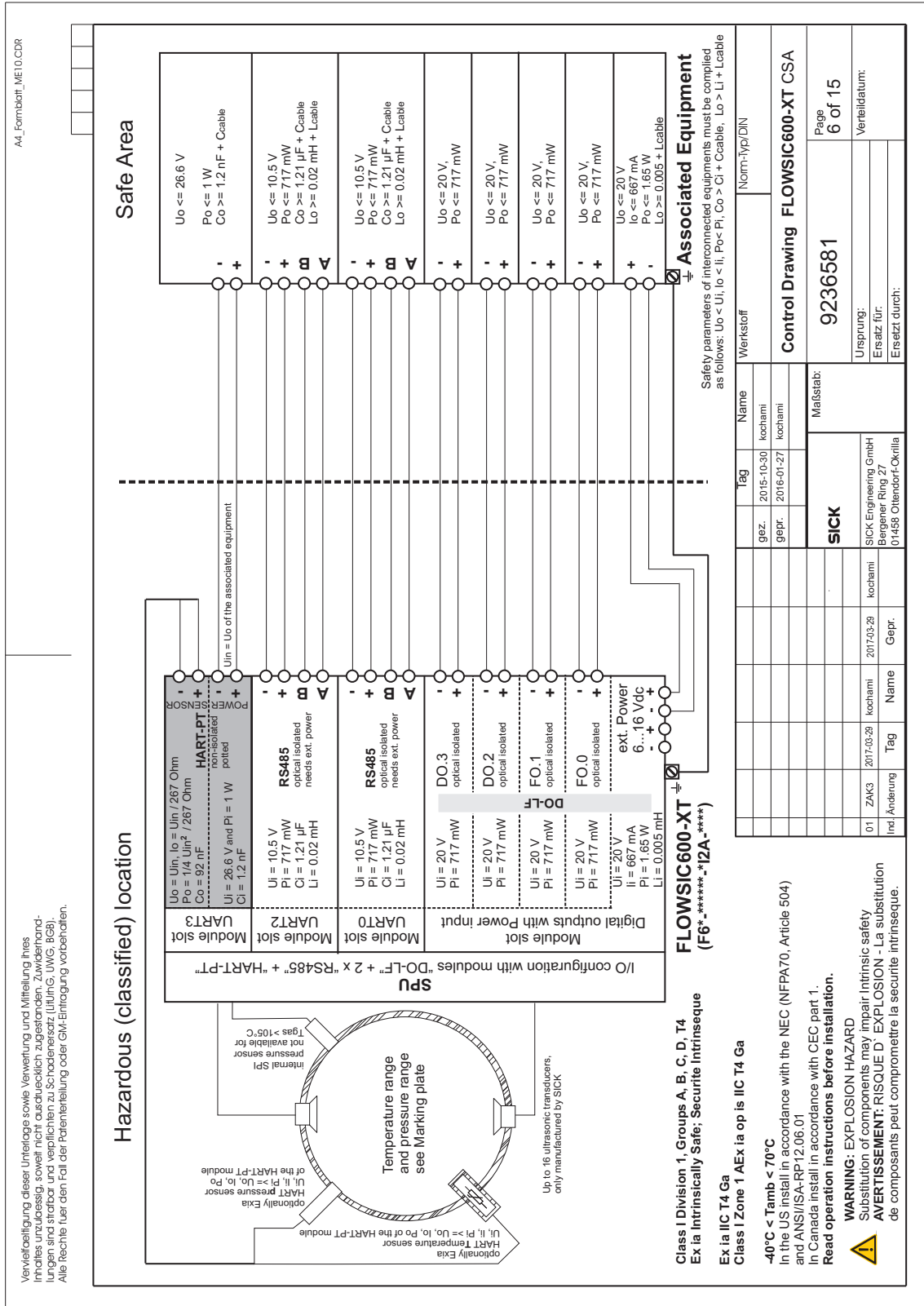


Fig. 75 Connection diagram 9236581 (page 7)

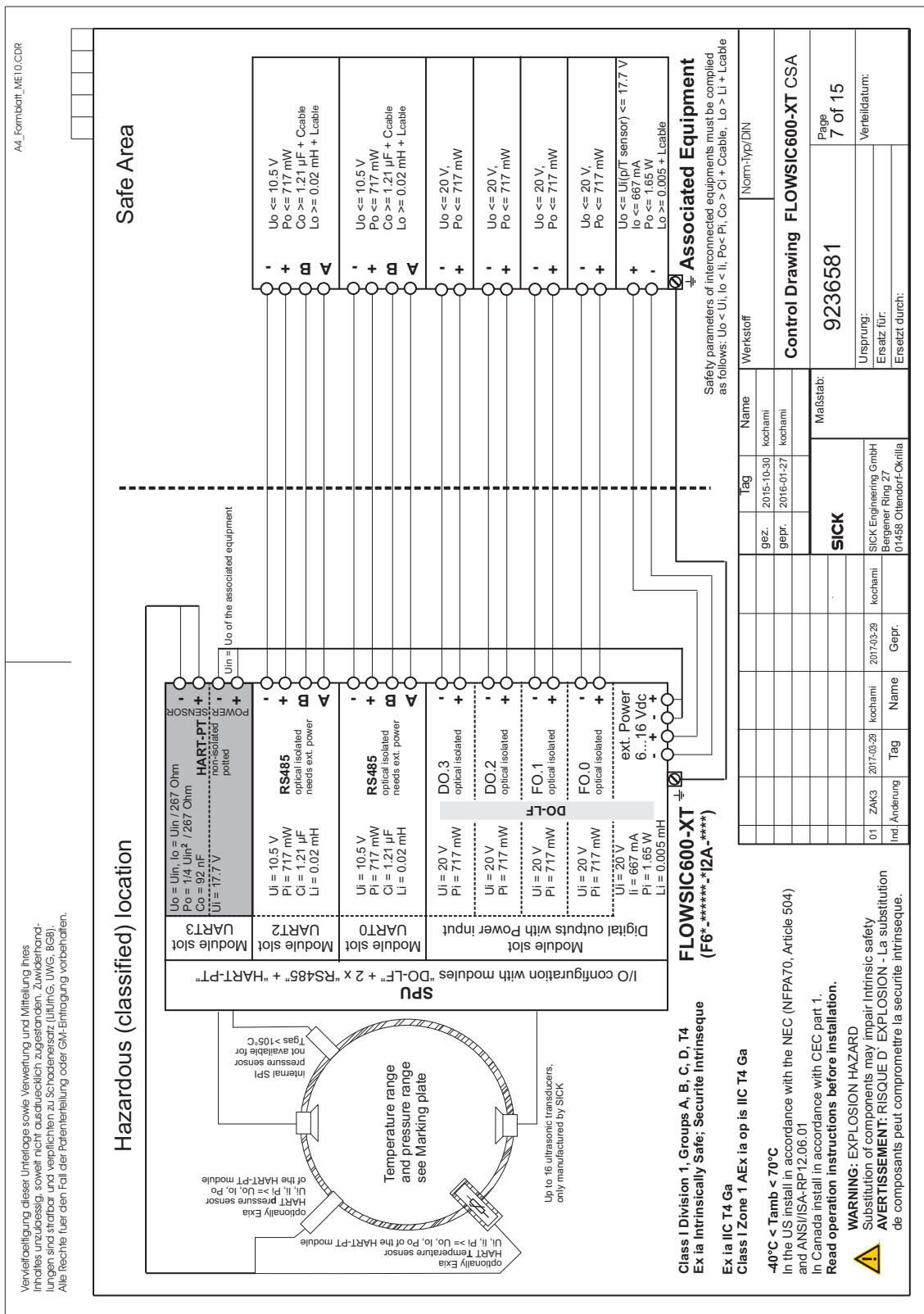




Fig. 76 Connection diagram 9236581 (page 8)

Subject to change without notice

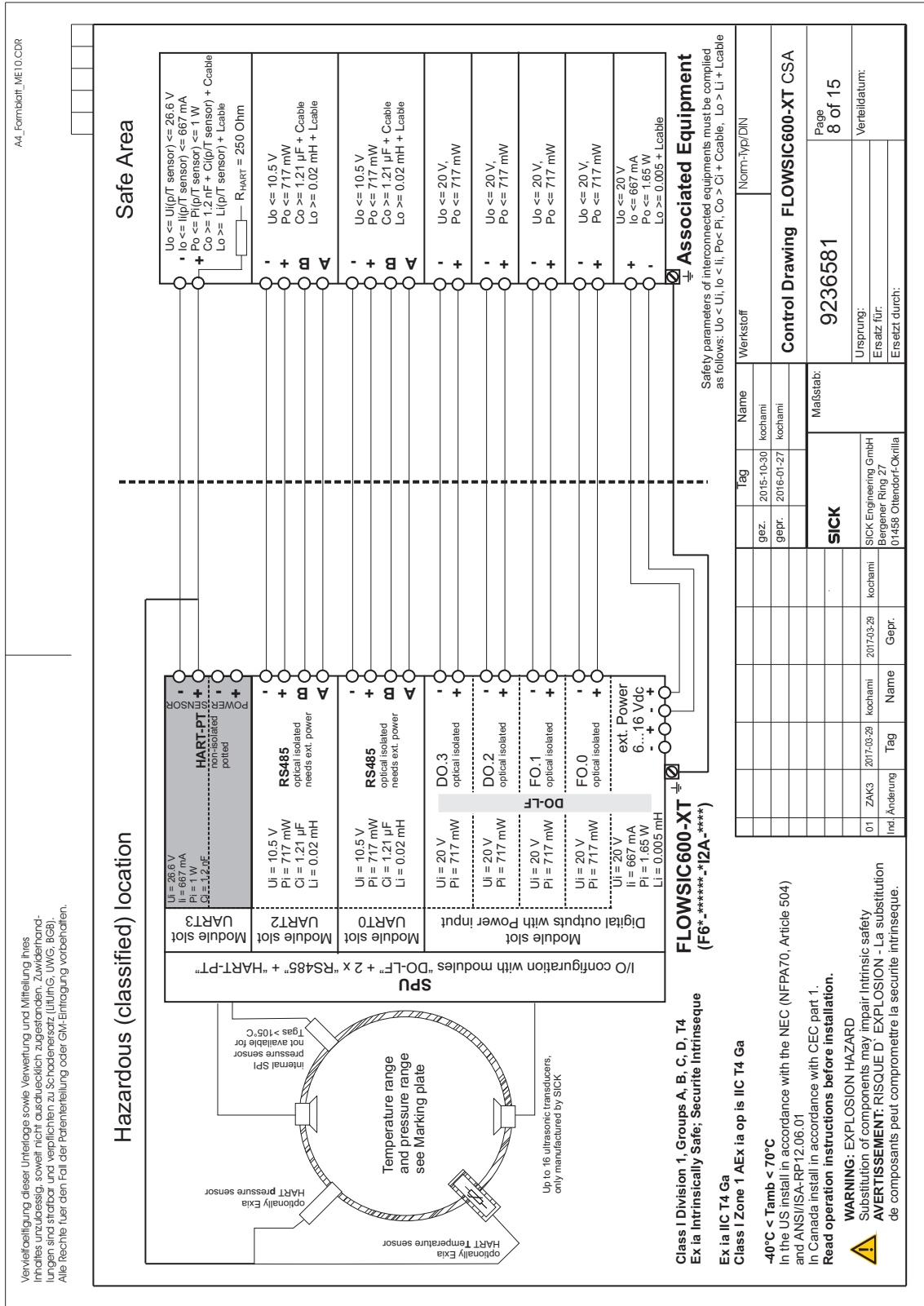


Fig. 77 Connection diagram 9236581 (page 12)

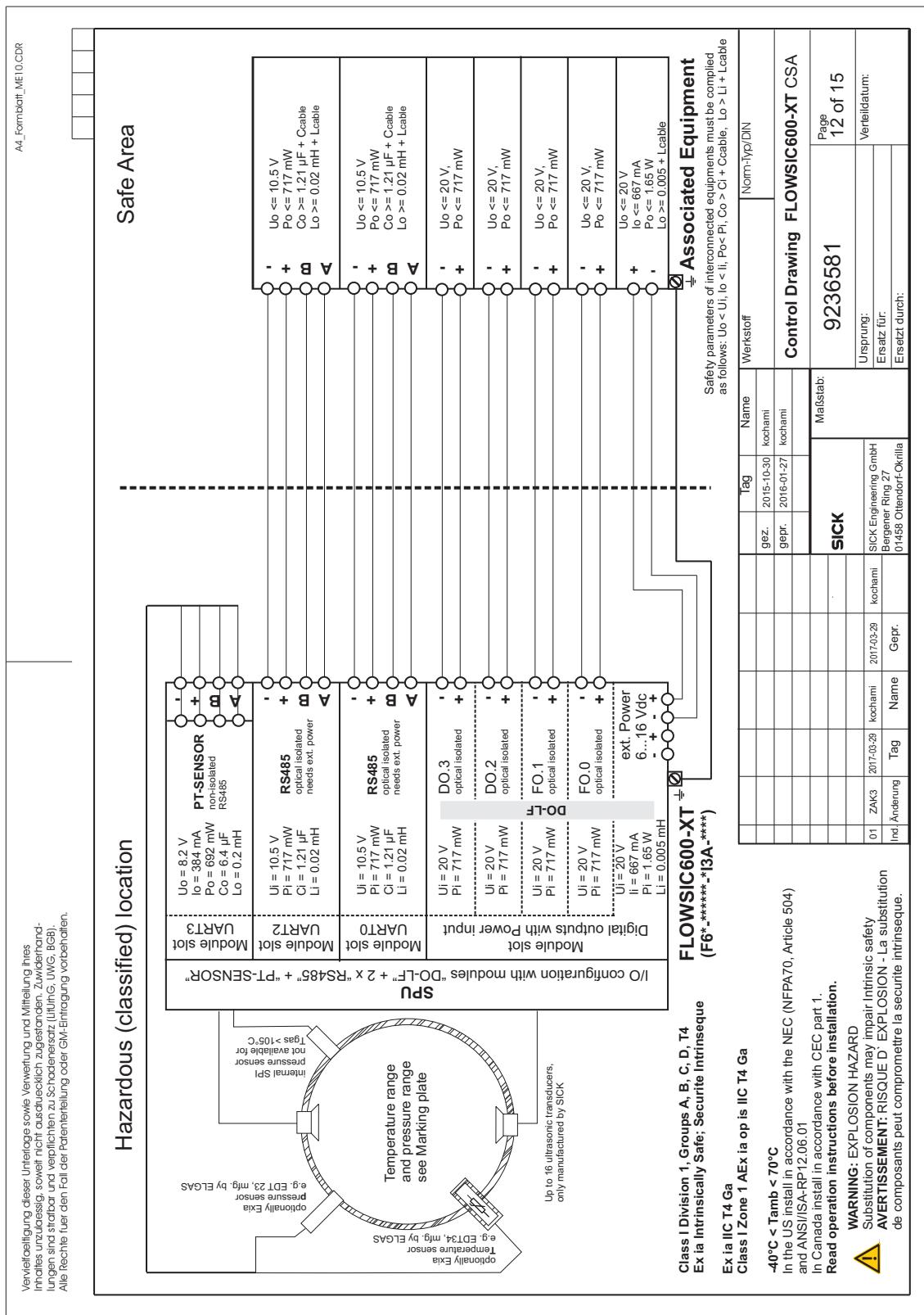


Fig. 78 Connection diagram 9236581 (page 13)

Subject to change without notice

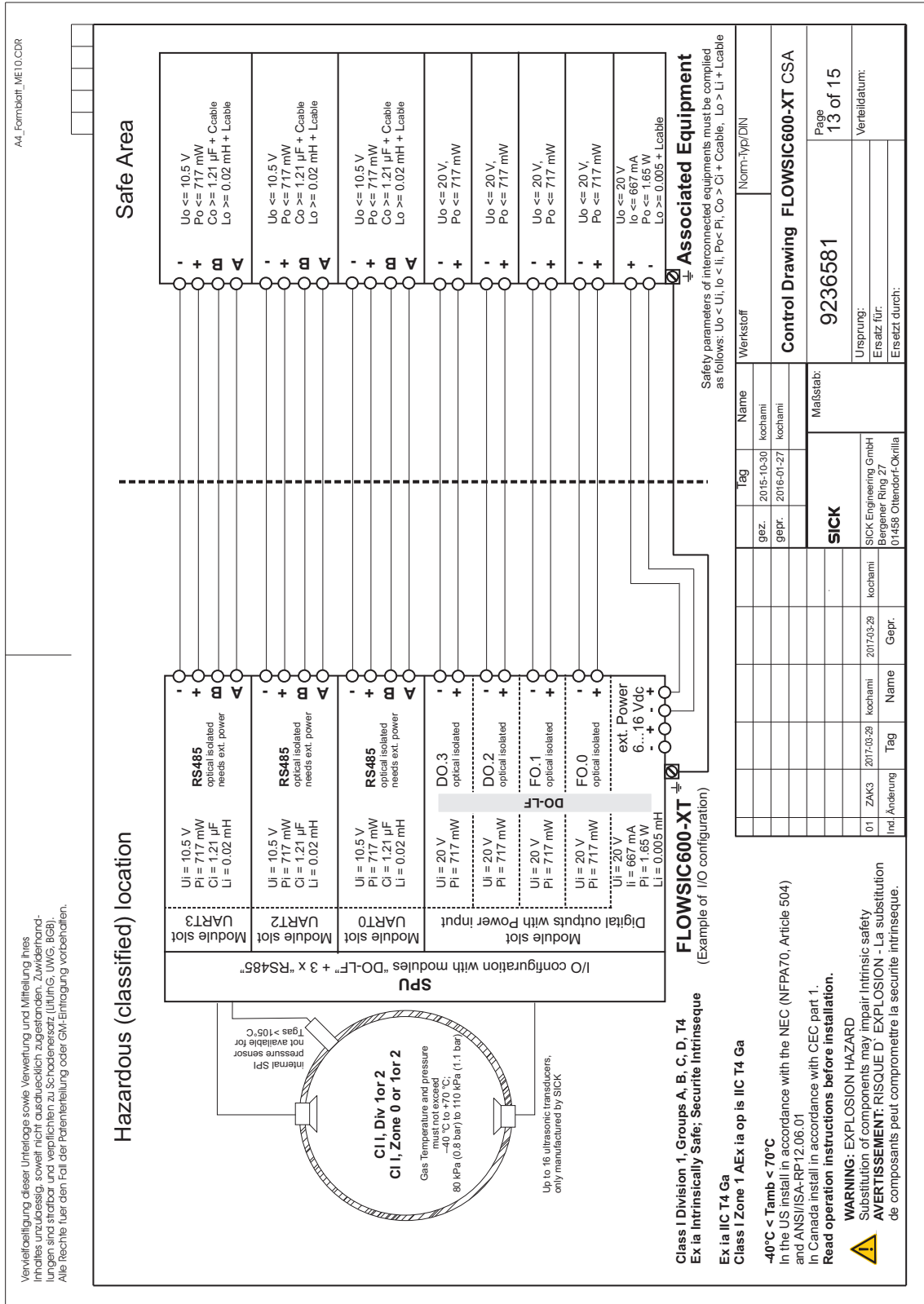
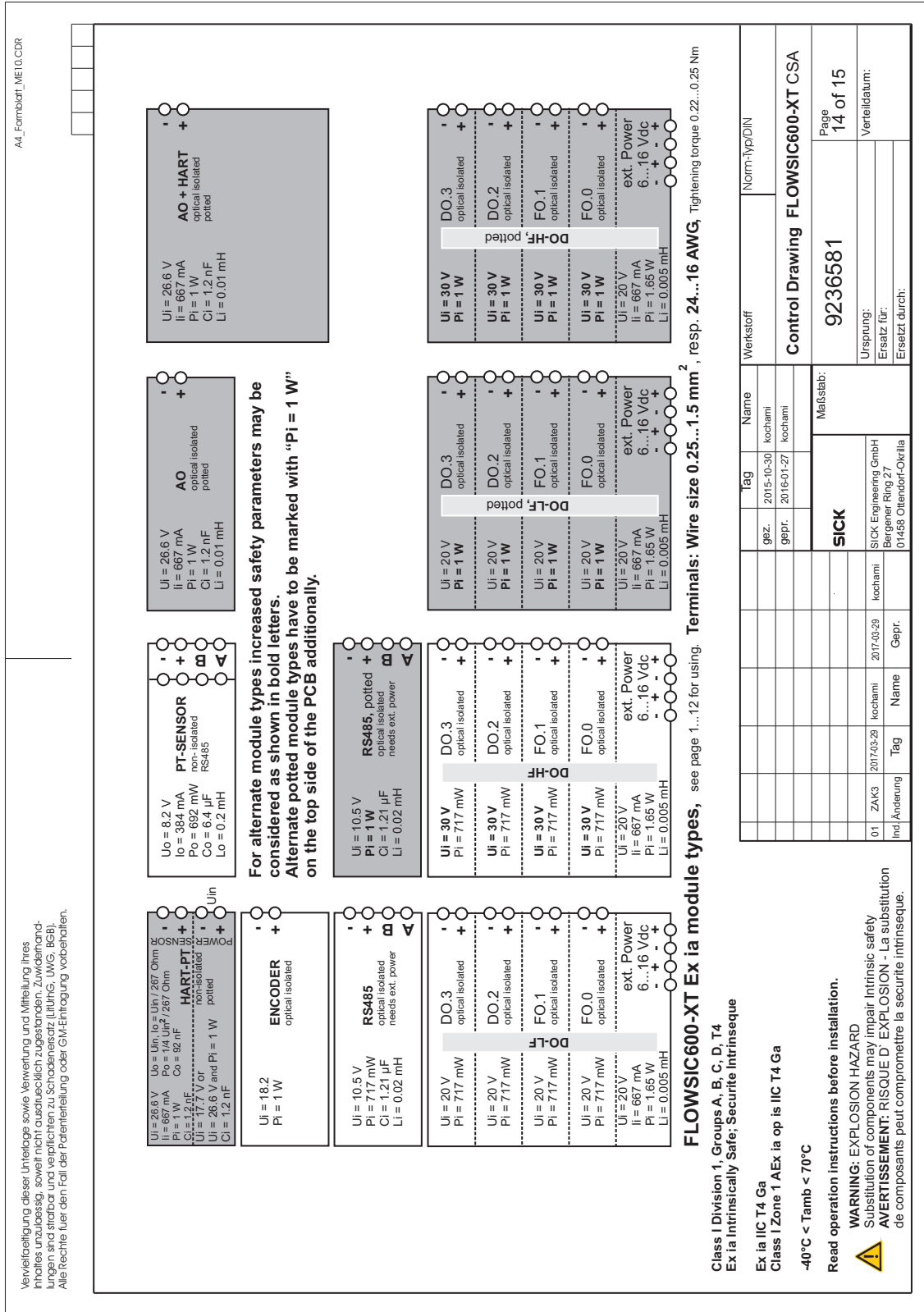


Fig. 79 Connection diagram 9236581 (page 14)



Subject to change without notice

Fig. 80 Connection diagram 9236581 (page 15)

Subject to change without notice

Veröffentlichung dieser Unterlagen sowie Verwendung und Mitteilung ihres Inhaltes unzulässig, soweit nicht ausdrücklich zugetragenen Zweckbestimmungen sind strafbar und verpflichten zu Schadenersatz (Ullrich, UWG, RGB). Alle Rechte fuer den Fall der Patenterteilung oder GM-Entragung vorbehalten.

U<sub>i</sub> = 26.6 V  
I<sub>i</sub> = 667 mA  
P<sub>i</sub> = 1.1 W  
C<sub>i</sub> = 1.2 nF  
L<sub>i</sub> = 17.7 V or  
U<sub>i</sub> = 26.6 V and P<sub>i</sub> = 1.1 W potted  
C<sub>i</sub> = 1.2 nF

U<sub>o</sub> = 8.2 V  
I<sub>o</sub> = 384 mA  
P<sub>o</sub> = 692 mW  
C<sub>o</sub> = 6.4 μF  
L<sub>o</sub> = 0.2 mH

U<sub>i</sub> = 10.5 V  
P<sub>i</sub> = 753 mW  
C<sub>i</sub> = 1.21 μF  
L<sub>i</sub> = 0.02 mH

U<sub>i</sub> = 20 V  
P<sub>i</sub> = 753 mW  
U<sub>i</sub> = 30 V  
P<sub>i</sub> = 753 mW  
U<sub>i</sub> = 20 V  
P<sub>i</sub> = 753 mW  
U<sub>i</sub> = 30 V  
P<sub>i</sub> = 753 mW  
U<sub>i</sub> = 20 V  
P<sub>i</sub> = 753 mW  
U<sub>i</sub> = 30 V  
P<sub>i</sub> = 753 mW  
ext. Power  
I<sub>i</sub> = 667 mA  
P<sub>i</sub> = 1.65 W  
L<sub>i</sub> = 0.005 mH

U<sub>i</sub> = 26.6 V  
I<sub>i</sub> = 667 mA  
P<sub>i</sub> = 1.1 W  
C<sub>i</sub> = 1.2 nF  
L<sub>i</sub> = 0.01 mH

U<sub>i</sub> = 26.6 V  
I<sub>i</sub> = 667 mA  
P<sub>i</sub> = 1.1 W  
C<sub>i</sub> = 1.2 nF  
L<sub>i</sub> = 0.01 mH

U<sub>i</sub> = 10.5 V  
P<sub>i</sub> = 1.1 W  
C<sub>i</sub> = 1.21 μF  
L<sub>i</sub> = 0.02 mH

U<sub>i</sub> = 20 V  
P<sub>i</sub> = 1.1 W  
U<sub>i</sub> = 30 V  
P<sub>i</sub> = 1.1 W  
U<sub>i</sub> = 20 V  
P<sub>i</sub> = 1.1 W  
U<sub>i</sub> = 30 V  
P<sub>i</sub> = 1.1 W  
U<sub>i</sub> = 20 V  
P<sub>i</sub> = 1.1 W  
U<sub>i</sub> = 30 V  
P<sub>i</sub> = 1.1 W  
ext. Power  
I<sub>i</sub> = 667 mA  
P<sub>i</sub> = 1.65 W  
L<sub>i</sub> = 0.005 mH

If the ambient temperature does not exceed 60°, increased P<sub>i</sub> may be considered as shown in bold letters for the different module types.

A4\_Formblatt\_ME10.CDR

FLOWUSIC600-XT Ex ia module types, see page 1...12 for using. Terminals: Wire size 0.25...1.5 mm<sup>2</sup>, resp. 24...16 AWG, Tightening torque 0.22...0.25 Nm

Class I Division 1, Groups A, B, C, D, T4  
Ex ia Intrinsically Safe, Sécurité intrinsèque

Ex ia IIC T4 Ga  
Class I Zone 1 AEx ia op is IIC T4 Ga  
-40°C < Tamb < 60°C

Read operation instructions before installation.  
WARNING: EXPLOSION HAZARD  
Substitution of components may impair intrinsic safety  
AVERTISSEMENT: RISQUE D'EXPLOSION - La substitution de composants peut compromettre la sécurité intrinsèque.

Tag	Name	Werkstoff	Norm-Typ/DIN
gez. 2016-10-30	kochami		
gepr. 2016-01-27	kochami		

<b>SICK</b>	Maßstab:	Page
		15 of 15
01 ZAK3	2017-03-29	Verleiddatum:
		Ersatz für:
		Ersatz durch:

9.3

Wiring examples

9.3.1

Ex-d (flameproof enclosure)

Fig. 81

Wiring example Ex-d (3 x RS485)

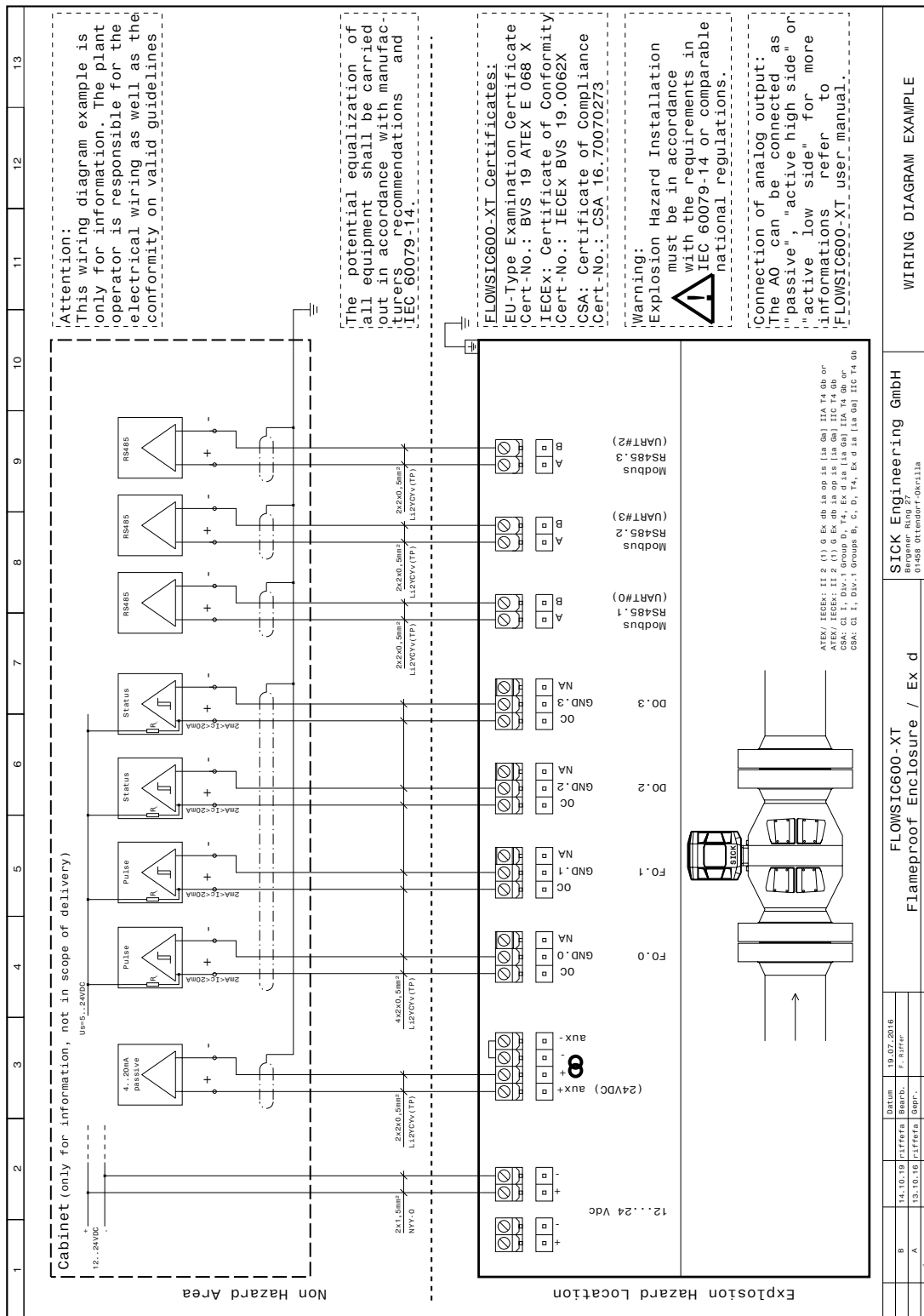
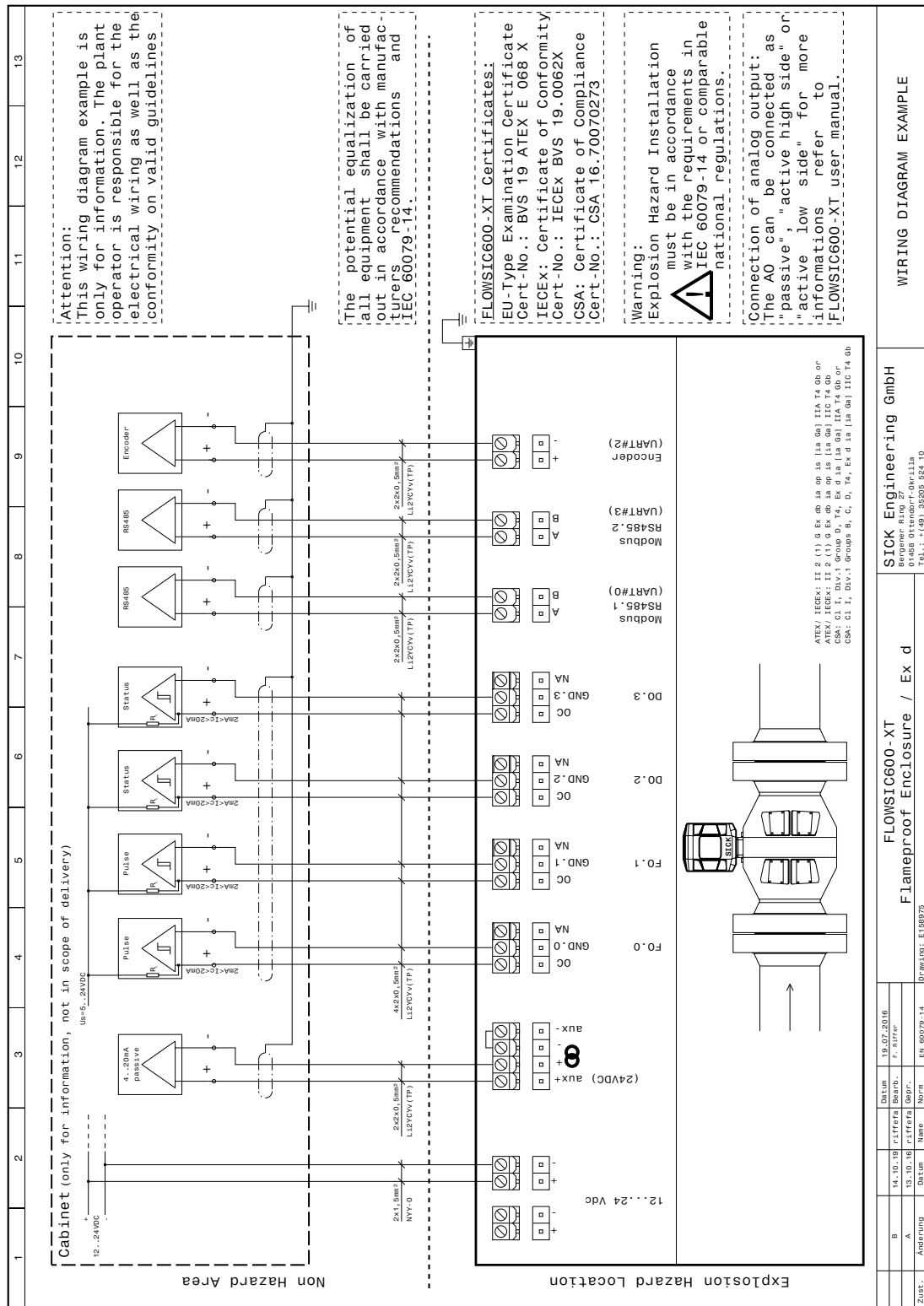
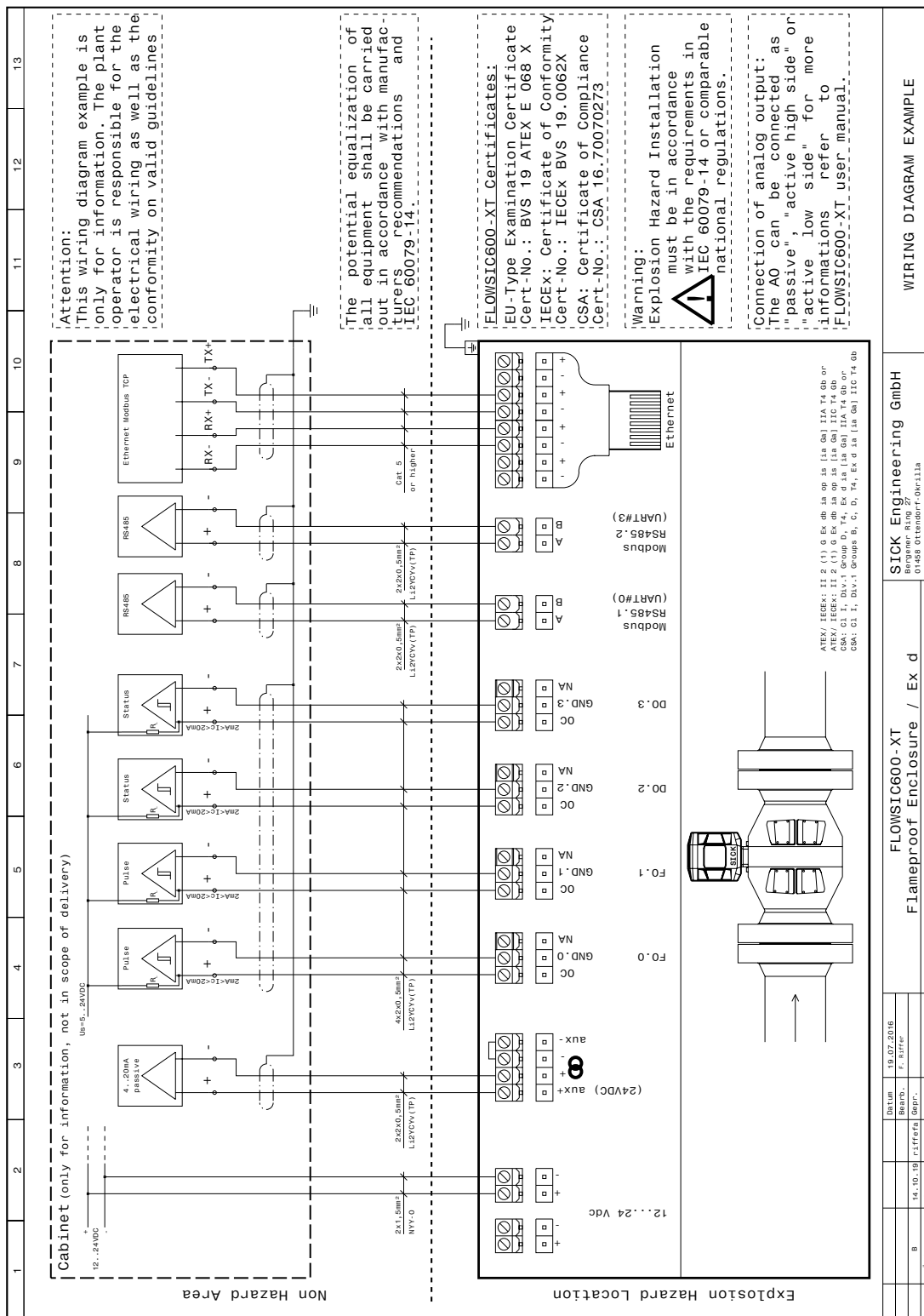


Fig. 82 Wiring example Ex-d (2 x RS485, 1 x Encoder)



Subject to change without notice

Fig. 83 Wiring example Ex-d (2 x RS485, 1 x Ethernet)



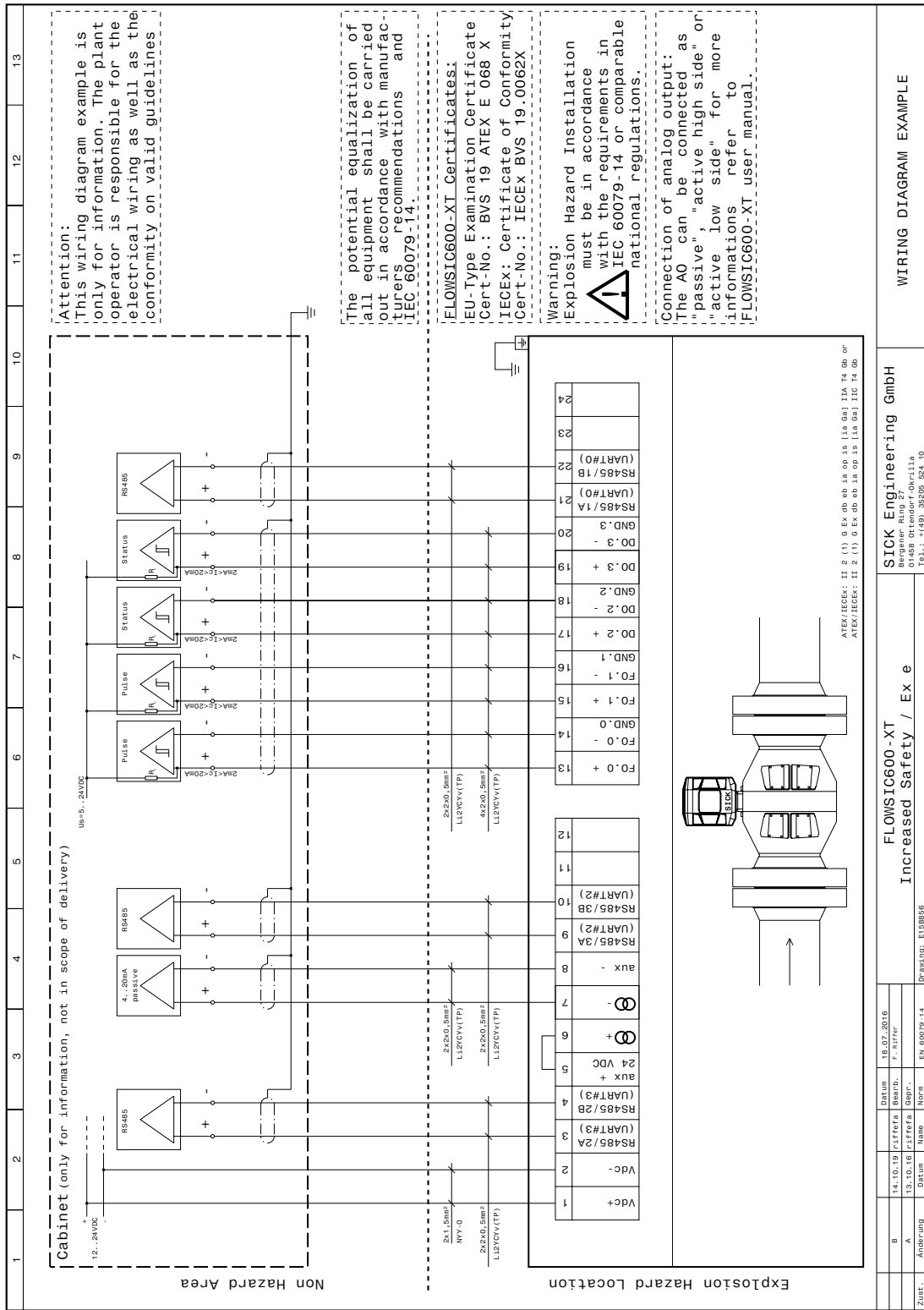
SICK Engineering GmbH	
Burgener Ring 27, 06111a 04509 Ortrand, Germany Tel.: +49 35233 242-10	
FLOWSTC600-XT Flameproof Enclosure / Ex d	
Zust.	Dr. rer. nat. E159877
Name	EN 60079-14
Rev.	
Proj.	
Datum	19.07.2018

Subject to change without notice



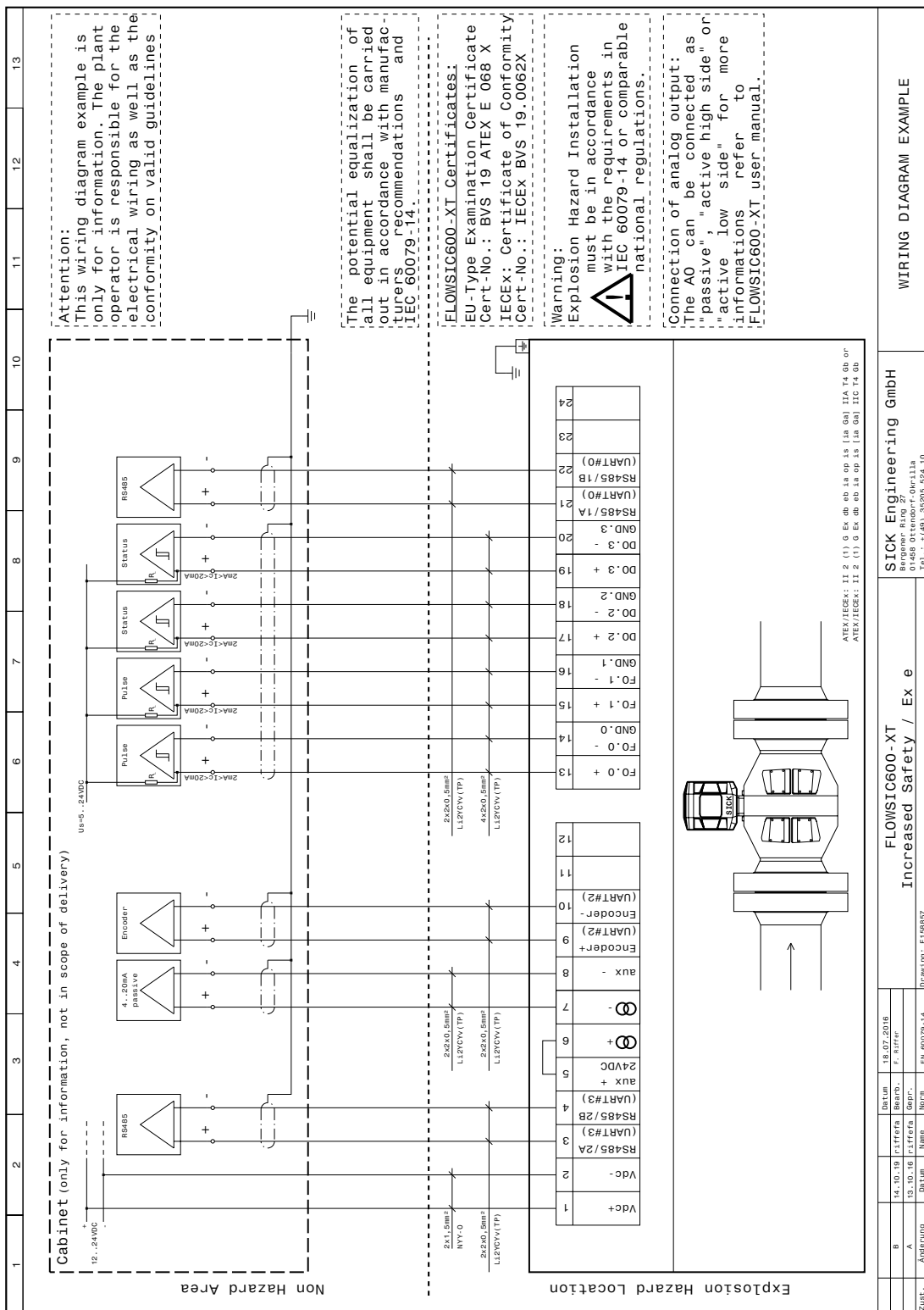
9.3.2 Ex-e (increased type of protection)

Fig. 84 Wiring example Ex-e (3 x RS485)



Subject to change without notice

Fig. 85 Wiring example Ex-e (2 x RS485, 1 x Encoder)



Attention: This wiring diagram example is only for information. The plant operator is responsible for the electrical wiring as well as the conformity on valid guidelines

The potential equalization of all equipment shall be carried out in accordance with manufacturers' recommendations and IEC 60079-14.

FLOWSiC600-XT Certificates:  
 EU-Type Examination Certificate  
 Cert-No.: BVS 19 ATEX E 068 X  
 IECEX: Certificate of Conformity  
 Cert-No.: IECEX BVS 19.0062X

Warning:  
 Explosion Hazard Installation must be in accordance with the requirements in IEC 60079-14 or comparable national regulations.

Connection of analog output:  
 The AO can be connected as "passive", "active high side" or "active low side" for more informations refer to FLOWSiC600-XT user manual.

B	Pin	Symbol	Name	Notes
B	1	Vdc+	Vdc+	
A	2	Vdc-	Vdc-	
Zus.	Addierung	Galvan	Name	Notes
		Galvan	24VDC	
		Galvan	aux +	
		Galvan	aux -	
		Galvan	Encoder +	
		Galvan	Encoder -	
		Galvan	aux + (UART#2)	
		Galvan	aux - (UART#2)	
		Galvan	RS485/2A (UART#3)	
		Galvan	RS485/2B (UART#3)	
		Galvan	24VDC	
		Galvan	aux +	
		Galvan	aux -	
		Galvan	aux + (UART#2)	
		Galvan	aux - (UART#2)	
		Galvan	FO.0 +	
		Galvan	GND.0	
		Galvan	FO.1 +	
		Galvan	GND.1	
		Galvan	DO.2	
		Galvan	DO.2	
		Galvan	DO.3	
		Galvan	GND.3	
		Galvan	RS485/1A (UART#0)	
		Galvan	RS485/1B (UART#0)	
		Galvan	RS485/1B (UART#0)	
		Galvan	GND.3	

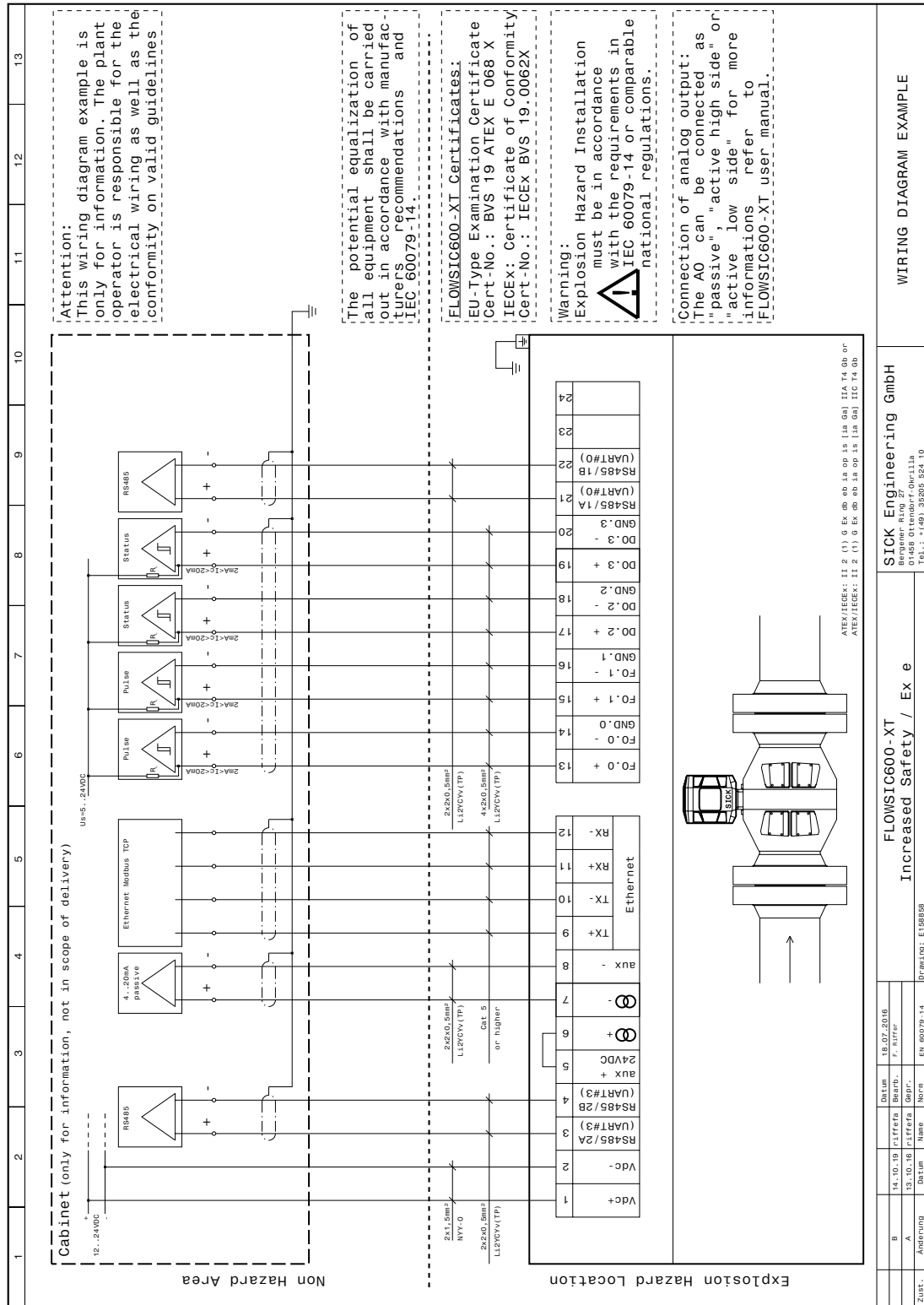
WIRING DIAGRAM EXAMPLE

SICK Engineering GmbH  
 Burgener Allee 27  
 91434 Orensheim  
 TEL: +49 915 8893-524-10

FLOWSiC600-XT  
 Increased Safety / Ex e  
 Druckleg.: E198807

19.07.2018  
 19.07.2018  
 13.10.18  
 14.10.18  
 13.10.18  
 14.10.18

Fig. 86 Wiring example Ex-e (2 x RS485, 1 x Ethernet)



Subject to change without notice

9.3.3

Ex-i (intrinsically safe)

Fig. 87

Wiring example Ex-i (3 x RS485)

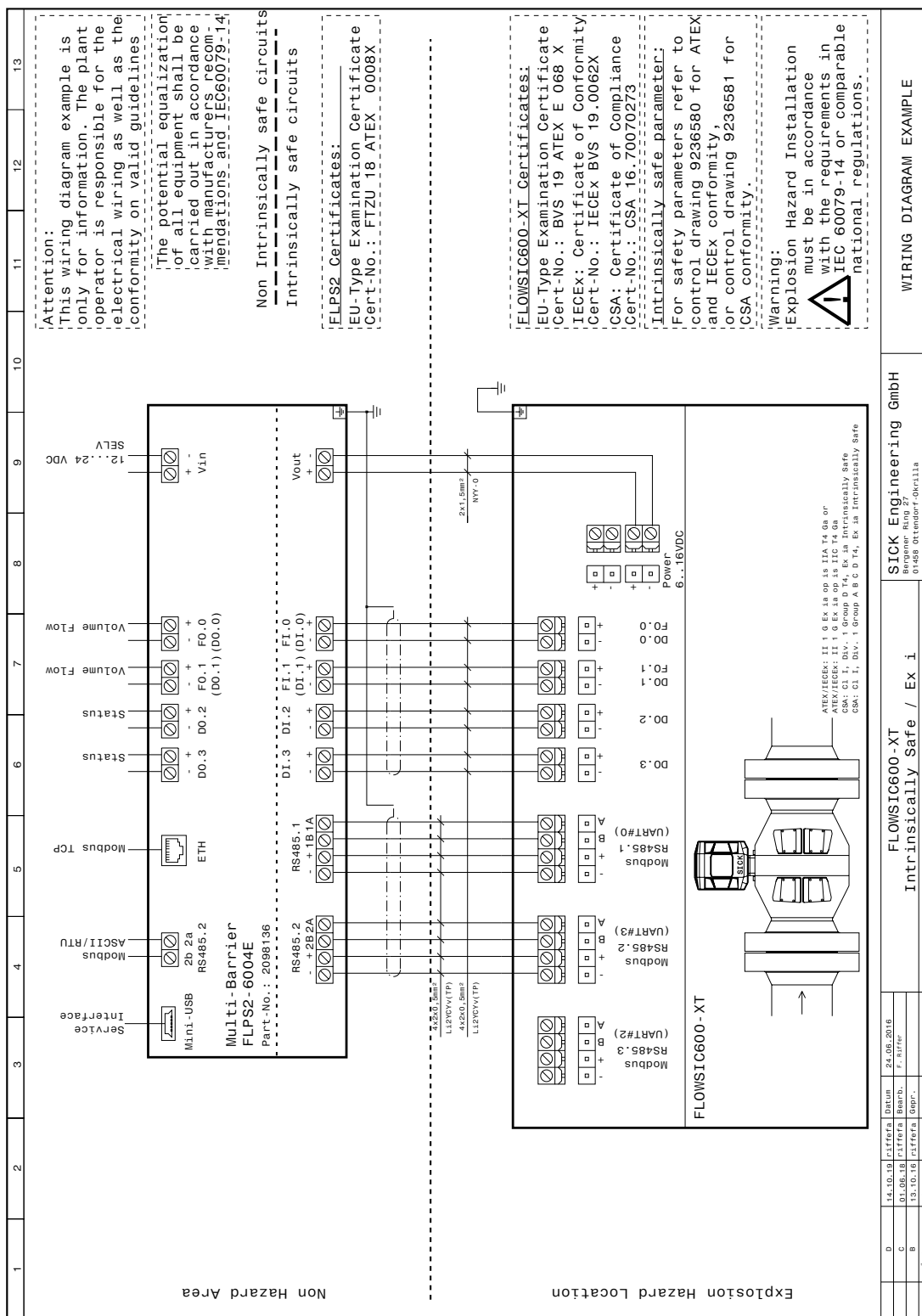
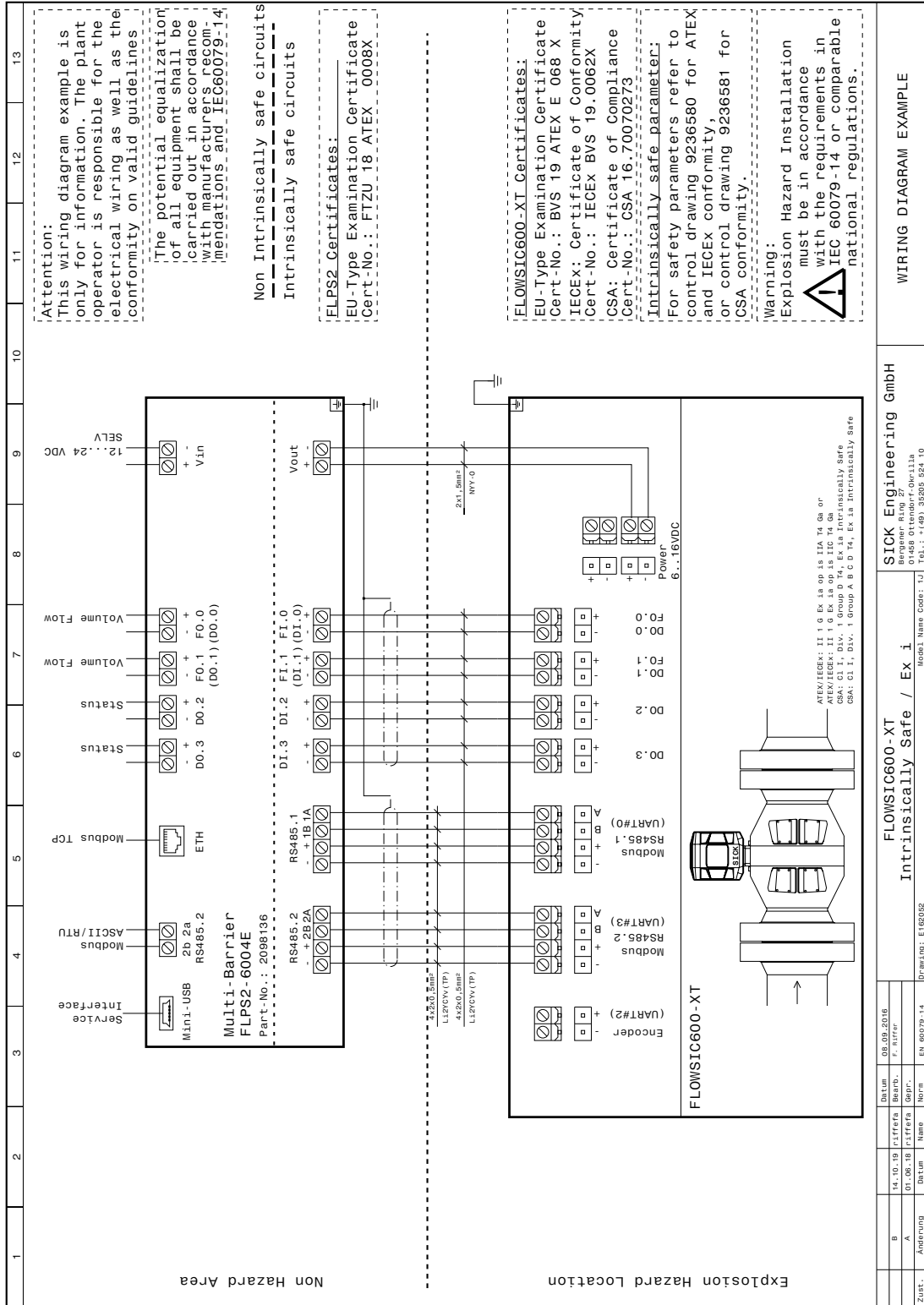


Fig. 88 Wiring example Ex-i (2 x RS485, 1 x Encoder)



Subject to change without notice

9.4

## Power input of the possible input and output configurations

Fig. 89

Power input

Nr. I/O Con	Ex Variant Encoder	P <sub>typ</sub> : power consumption [mW] 4 paths, 10 measurements/sec (12V operating voltage)	P <sub>typ</sub> : power consumption [mW] 4+1 paths, 10 measurements/sec (12V operating voltage)	P <sub>typ</sub> : power consumption [mW] 8 paths, 10 measurements/sec (12V operating voltage)
1	3*RS485/2*FO/2*DO/1*AO	1300 mW	1300 mW + 1200 mW	1420 mW
2	2*RS485/2*FO/2*DO/1*AO/1*HART (Slave)	1300 mW	1300 mW + 1200 mW	1420 mW
3	2*RS485/2*FO/2*DO/1*AO/1*Encoder	1300 mW	1300 mW + 1200 mW	1420 mW
4	2*RS485/2*FO/2*DO/1*AO/1*Ethernet	2200 mW	2200 mW + 2100 mW	2300 mW
5	HART-p/1*RS485/2*FO/2*DO/1*AO	1450 mW	1450 mW + 1350 mW	1570 mW
6	HART-p/1*RS485/2*FO/2*DO/1*AO/1*HART (Slave)	1450 mW	1450 mW + 1350 mW	1570 mW
7	HART-p/1*RS485/2*FO/2*DO/1*AO/1*Encoder	1450 mW	1450 mW + 1350 mW	1570 mW
8	HART-p/1*RS485/2*FO/2*DO/1*AO/1*Ethernet	2360 mW	2360 mW + 2260 mW	2520 mW
9	3*RS485/2*FO/2*DO	150 mW	150 mW + 95 mW	205 mW
10	2*RS485/2*FO/2*DO/1*Encoder	150 mW	150 mW + 95 mW	205 mW
11	HART-p/1*RS485/2*FO/2*DO	150 mW	150 mW + 95 mW	205 mW

Subject to change without notice

9.5 **Type plates (examples)**

Fig. 90

Ex identification (examples)

Identification according to ATEX/IECEX

Identification according to CSA

**SICK FLOWSIC600-XT**  
 F6A-4P3D08-IC1A-T210  
 Part No. 1234567  
 Serial No. 12345678

II 1G Ex ia op is IIC T4 Ga  
 BVS 19 ATEX E 068 X  
 Ex ia op is IIC T4 Ga  
 IECEX BVS 19.0062X

T<sub>amb</sub> -40 °C...+70 °C IP66

Ext. Power Supply:  
 nom.: = 6...16 Vdc; max. 100 mA  
 Ui = 20 V, Ii = 667 mA, Pi = 1.65 W

**WARNING:** Explosion Hazard  
 Read Operation Instructions before installation.  
 Install per drawing no. 9236580.  
**AVERTISSEMENT:** Risque d'explosion  
 Lisez les modes d'emploi avant l'installation.  
 Installez par le dessin pas. 9236580  
**ADVERTENCIA:** ameaza de explosão  
 Leia modos de aplicação antes de instalar.  
 Instale por documento no. 9236580

4089152

**SICK FLOWSIC600-XT**  
 F6A-4P3D08-C11A-T218  
 Part No. 1234567 Serial No. 12345678

Cl. I, Div. 1, Groups A, B, C, D; T4  
 Ex ia IIC T4 Ga  
 Cl. I, Zone 0, AEx ia op is IIC T4 Ga  
 US CSA 16.70070273 Ex ia Intrinsically Safe  
 Securite Intrinseque

T<sub>amb</sub> -40 °C...+70 °C IP66, Type 4

Ext. Power Supply:  
 nom.: = 6...16 Vdc; max. 100 mA  
 Ui = 20 V, Ii = 667 mA, Pi = 1.65 W

**WARNING:** Explosion Hazard  
 Read Operation Instructions before installation.  
 Install per drawing no. 9236581  
 Substitution of components  
 may impair Intrinsic Safety.  
**AVERTISSEMENT:** Risque d'explosion  
 Lisez les modes d'emploi avant l'installation.  
 Installez par le dessin pas. 9236581  
 La substitution de composants peut  
 compromettre la securite intrinseque.

4089155

Fig. 91

Measuring Instrument Directive type plate (example)

**SICK FLOWSIC600-XT**  
 SICK Engineering GmbH  
 Bergener Ring 27  
 01458 Ottendorf-Okrilla  
 Germany

Made in Germany

F6A-4P3D08-EC1E-T210  
 Part No. 1234567  
 Serial No. 12345678  
 Year 06/2016

TEC: DE-16-MI002-PTB001

T<sub>amb</sub> -40 °C...+70 °C M2, E2, IP66  
 T<sub>gas</sub> -40 °C...+85 °C MPE 1.0 %

Q<sub>min</sub> 20 m<sup>3</sup>/h  
 Q<sub>t</sub> 160 m<sup>3</sup>/h  
 Q<sub>max</sub> 4000 m<sup>3</sup>/h

For value P<sub>e</sub> and C<sub>e</sub> see display

MAIN METER  
 ID: 7 SIC00 1451 0014

4089601

Fig. 92

Pressure Equipment Directive type plate (example)

**SICK FLOWSIC600-XT**

Serial No. 12345678  
 Year 05/2016  
 DN/NPS 300/12"  
 Weight 720 kg  
 Fluid Gr. 1

TS -45/+80 °C  
 PS 120 bar  
 PT 230 bar

Made in Germany  
 4089591




Subject to change without notice

Fig. 93

FLAWSIC600-XT Gateway type plate (example)

**SICK FLOWSIC600-XT**


SICK Engineering GmbH  
Bergener Ring 27  
01458 Ottendorf-Okrilla  
Germany

Made in Germany

F6A-YYYYY-EC1E-YYYY  
Part No. 1234567  
Serial No. 12345678  
Year 06/2016


$T_{\text{amb}}$	-40 °C ... +70 °C	$Q_{\text{min}}$	20 m <sup>3</sup> /h
$T_{\text{gas}}$	-40 °C ... +85 °C	$Q_i$	160 m <sup>3</sup> /h
		$Q_{\text{max}}$	4000 m <sup>3</sup> /h

Meter Size 12" / DN300  
Replaced S/N 21100001   
Replaced P/N 1234567

Replaced Type Key:  
FL600-5C5D16CL0600SC0040RF2Y-S2-1DC4N1Y

For value  $P_e$  and  $C_e$  see display




CHECK METER - not for custody transfer measurement

 ID: 7 SIC20 0803 2100

4092621

**SICK FLOWSIC600-XT**

SICK Engineering GmbH  
Bergener Ring 27  
01458 Ottendorf-Okrilla  
Germany


  

Made in Germany

F6A-YYYYY-EC1E-YYYY  
Part No. 1234567  
Serial No. 12345678  
Year 06/2016

For value  $P_e$  and  $C_e$  see display

CHECK METER - not for custody transfer measurement

 ID: 7 SIC20 0803 2100

4092621



9.6

# Model name

Englisch

Version D E134532 02

## Model Name FLOWSIC600-XT

	F6A	4P	3D	08	AB	1A	T210
<b>Product Name</b>							
FL6XT-Standard Gases (Natural Gas)	F6A						
FL6XT-Oxygen (O <sub>2</sub> )	F6B						
FL6XT-C	F6C						
FL6XT-Carbon dioxide (CO <sub>2</sub> )	F6D						
FL6XT-Process gas	F6E						
FL6XT-Air	F6F						
FL6XT-Gateway	F6G						
FL6XT-Hydrogen (H <sub>2</sub> )	F6H						
FL6XT-Customized	F6X						
FL6XT-Demo Unit	F6Z						
<b>Separation</b>							
<b>Path Configuration</b>							
2 path		2P					
4 path		4P					
8 path (Forte)		8P					
4+1 path (Zplex)		5C					
4+4 path (Quatro)		4R					
2/2 paths crossed		4X					
Gateway 4 path		AY					
Gateway 4+1 path or 4+4 path		BY					
<b>Installation Length</b>							
3D			3D				
5D			5D				
6D			6D				
Short Design (<3D)			SD				
Other size			XD				
Gateway			YY				
<b>Nominal Size</b>							
02 inch / DN 50				02			
03 inch / DN 80				03			
04 inch / DN 100				04			
06 inch / DN 150				06			
08 inch / DN 200				08			
10 inch / DN 250				10			
Other size				#			
Gateway				YY			
<b>Separation</b>							
<b>Ex Classification</b>							
II 2 (1) G Ex db ia op is [ia Ga] IIA T4 Gb						DA	
II 2 (1) G Ex db ia op is [ia Ga] IIC T4 Gb						DC	
II 2 (1) G Ex db eb ia op is [ia Ga] IIA T4 Gb						EA	
II 2 (1) G Ex db eb ia op is [ia Ga] IIC T4 Gb						EC	
II 1G Ex ia op is IIA T4 Ga						IA	
II 1G Ex ia op is IIC T4 Ga						IC	
II 3G Ex ia nA op is IIC T4 Gc						NC	
CI I, Div. 1 Group D, T4, Ex d ia [ia Ga] IIA T4 Gb						AD	
CI I, Zone 1 AEx d ia op is [ia Ga] IIA T4 Gb							
CI I, Div. 2 Groups A, B, C, D, T4, Ex ia nA IIC T4 Gc							
CI I Zone 2, AEx ia nA op is IIC T4 Gc							
CI I, Div. 1 Groups B, C, D, T4, Ex d ia [ia Ga] IIC T4 Gb						CD	
CI I, Zone 1 AEx d ia op is [ia Ga] IIC T4 Gb							
CI I, Div. 2, Groups A, B, C, D, T4, Ex ia nA IIC T4 Gc							
CI I Zone 2, AEx ia nA op is IIC T4 Gc							
CI I, Div. 1 Group D T4, Ex ia IIA T4 Ga						AI	
CI I, Zone 0, AEx ia op is IIA T4 Ga							
CI I, Div. 1 Groups A, B, C, D, T4, Ex ia IIC T4 Ga						BI	
CI I, Zone 0, AEx ia op is IIC T4 Ga							
CI I, Div. 2 Groups A, B, C, D, T4, Ex ia nA IIC T4 Gc						CN	
CI I, Zone 2, AEx ia nA op is IIC T4 Gc							
Ex d ia op is [ia Ga] IIA T4 Gb						DH	
Ex d ia op is [ia Ga] IIC T4 Gb						DI	
Ex d e ia op is [ia Ga] IIA T4 Gb						EJ	
Ex d e ia op is [ia Ga] IIC T4 Gb						EK	
Ex ia op is IIA T4 Ga						IL	
Ex ia op is IIC T4 Ga						IM	
without						XX	
<b>I/O Configuration / Data Interfaces</b>							
3*RS485/2*FO/2*DO							1A
3*RS485/2*FO/2*DO/1*AO (Note 1)							1B
2*RS485/2*FO/2*DO/1*AO/1*HART (Slave) (Note 1)							1C
2*RS485/2*FO/2*DO/1*AO/1*Encoder (Note 1)							1D
2*RS485/2*FO/2*DO/1*AO/1*Ethernet (Note 1)							1E
2*RS485/2*FO/2*DO/1*Encoder							1J
2*RS485/2*FO/2*DO							1L
HART-PT/2*RS485/2*FO/2*DO							2A
HART-PT/2*RS485/2*FO/2*DO/1*AO (Note 1)							2B
HART-PT/1*RS485/2*FO/2*DO/1*AO/1*HART (Slave) (Note 1)							2C
HART-PT/1*RS485/2*FO/2*DO/1*AO/1*Encoder							2D
HART-PT/1*RS485/2*FO/2*DO/1*AO/1*Ethernet (Note 1)							2E
<b>Separation</b>							
<b>Ultrasonic Transducer (frequency / kHz, Pmax / bar, Tmax / °C)</b>							
S1 (205, 250, 85)							S1
S2 (205, 103, 120)							S2
12 (205, 103, 120)							12
22 (205, 259, 120)							22
K3 (135, 16, 180)							K3
K4 (135, 63/103, 180/60)							K4
S5 (350, 103, 120)							S5
15 (350, 103, 120)							15
S6 (205, 103, 120)							S6
X6 (205, 103, 120)							X6
16 (205, 100, 120)							16
26 (205, 259, 120)							26
46 (205, 450, 150)							46
M6 (195, 10, 120)							M6
S7 (135, 20, 180)							S7
B7 (135, 16, 180)							B7
S8 (135, 103, 180)							S8
18 (135, 100, 180)							18
28 (135, 259, 180)							28
A8 (135, 63, 180)							A8
L8 (135, 250, 180)							L8
K8 (135, 63/103, 180/60)							K8
M8 (135, 10, 120)							M8
N8 (135, 63/103, 180/60)							N8
T8 (135, 103, 280)							T8
S9 (80, 16, 150)							S9
T210 (205, 103, 140)							T210
T218 (205, 103, 140)							T218
T220 (205, 259, 140)							T220
T228 (205, 259, 140)							T228

Subject to change without notice

## 9.7

**Spare parts**

SICK recommends the following spare parts with the purchase of the gas flow meter. For a configuration with a different electronics-transducer combination, please ask your SICK sales partner for the corresponding spare parts.

Designation	Part No.
Electronic block 200kHz / IIA / 8-path	2085291
I/O board	2085315
I/O board with Ethernet interface	2085305
Fuse I/O unit	2085302
Converter pair, type T210 for 3, 4 and 6 inch	2085302
Converter pair, type T218 from 8 inch	2080027
O-Ring set, natural gas, 7.5 * 1.5, Viton LT170-TT for T210	2085274
O-Ring set, natural gas, 15.0 * 2.0, Viton LT170-TT for T218	2085270



**Australia**

Phone +61 (3) 9457 0600  
1800 33 48 02 – tollfree  
E-Mail sales@sick.com.au

**Austria**

Phone +43 (0) 2236 62288-0  
E-Mail office@sick.at

**Belgium/Luxembourg**

Phone +32 (0) 2 466 55 66  
E-Mail info@sick.be

**Brazil**

Phone +55 11 3215-4900  
E-Mail comercial@sick.com.br

**Canada**

Phone +1 905.771.1444  
E-Mail cs.canada@sick.com

**Czech Republic**

Phone +420 234 719 500  
E-Mail sick@sick.cz

**Chile**

Phone +56 (2) 2274 7430  
E-Mail chile@sick.com

**China**

Phone +86 20 2882 3600  
E-Mail info.china@sick.net.cn

**Denmark**

Phone +45 45 82 64 00  
E-Mail sick@sick.dk

**Finland**

Phone +358-9-25 15 800  
E-Mail sick@sick.fi

**France**

Phone +33 1 64 62 35 00  
E-Mail info@sick.fr

**Germany**

Phone +49 (0) 2 11 53 010  
E-Mail info@sick.de

**Greece**

Phone +30 210 6825100  
E-Mail office@sick.com.gr

**Hong Kong**

Phone +852 2153 6300  
E-Mail ghk@sick.com.hk

**Hungary**

Phone +36 1 371 2680  
E-Mail ertekesites@sick.hu

**India**

Phone +91-22-6119 8900  
E-Mail info@sick-india.com

**Israel**

Phone +972 97110 11  
E-Mail info@sick-sensors.com

**Italy**

Phone +39 02 27 43 41  
E-Mail info@sick.it

**Japan**

Phone +81 3 5309 2112  
E-Mail support@sick.jp

**Malaysia**

Phone +603-8080 7425  
E-Mail enquiry.my@sick.com

**Mexico**

Phone +52 (472) 748 9451  
E-Mail mexico@sick.com

**Netherlands**

Phone +31 (0) 30 229 25 44  
E-Mail info@sick.nl

**New Zealand**

Phone +64 9 415 0459  
0800 222 278 – tollfree  
E-Mail sales@sick.co.nz

**Norway**

Phone +47 67 81 50 00  
E-Mail sick@sick.no

**Poland**

Phone +48 22 539 41 00  
E-Mail info@sick.pl

**Romania**

Phone +40 356-17 11 20  
E-Mail office@sick.ro

**Russia**

Phone +7 495 283 09 90  
E-Mail info@sick.ru

**Singapore**

Phone +65 6744 3732  
E-Mail sales.gsg@sick.com

**Slovakia**

Phone +421 482 901 201  
E-Mail mail@sick-sk.sk

**Slovenia**

Phone +386 591 78849  
E-Mail office@sick.si

**South Africa**

Phone +27 10 060 0550  
E-Mail info@sickautomation.co.za

**South Korea**

Phone +82 2 786 6321/4  
E-Mail infokorea@sick.com

**Spain**

Phone +34 93 480 31 00  
E-Mail info@sick.es

**Sweden**

Phone +46 10 110 10 00  
E-Mail info@sick.se

**Switzerland**

Phone +41 41 619 29 39  
E-Mail contact@sick.ch

**Taiwan**

Phone +886-2-2375-6288  
E-Mail sales@sick.com.tw

**Thailand**

Phone +66 2 645 0009  
E-Mail marcom.th@sick.com

**Turkey**

Phone +90 (216) 528 50 00  
E-Mail info@sick.com.tr

**United Arab Emirates**

Phone +971 (0) 4 88 65 878  
E-Mail contact@sick.ae

**United Kingdom**

Phone +44 (0)17278 31121  
E-Mail info@sick.co.uk

**USA**

Phone +1 800.325.7425  
E-Mail info@sick.com

**Vietnam**

Phone +65 6744 3732  
E-Mail sales.gsg@sick.com

Detailed addresses and further locations at [www.sick.com](http://www.sick.com)