

Pilot operating pressure regulator

# Aperflux 851



Aperflux 851 is pilot-controlled pressure regulator for medium and high pressure applications.

This regulator is suitable for use with previously filtered, non-corrosive gases.

Scan this QR code with your mobile to get more info!



## MAIN FEATURES:

- **Pilot Operated – Medium to High Pressure Outlet**
- **“Fail open” type**
- Sizes: **1”, 2”, 3”, 4”, 6”, 8”, 10”**
- Body Materials: **Cast Steel**
- Ratings: **ANSI 300 and 600**
- Connections: **RF**
- Maximum Inlet Pressure: **1,232psig**
- Outlet Pressure: **12 to 942 psig**
- Flow Coefficient (Nat. Gas): **Cg Range 480 to 24,548**
- Minimum operating differential **14.5 psig**

## OPTIONS:

- SB 82 – Integral Slam Shut Valve
- Integral Pilot Operated “Fail to Close” Monitor
- DB 851 - Integral Silencer
- Remote Operation

**DESIGNED  
WITH YOUR  
NEEDS IN MIND**

- COMPACT DESIGN
- OUTSTANDING TURN DOWN RATIO
- EASY MAINTENANCE
- HIGH ACCURACY
- TOP ENTRY
- LOW OPERATION COST
- LOW NOISE
- EXTREME FLEXIBILITY



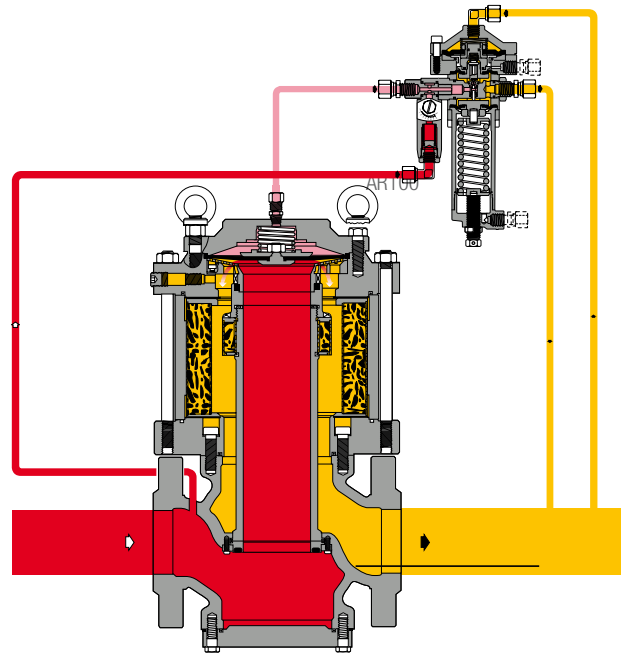
Florentini USA  
4555 South Berkeley Lake Road  
Norcross, GA 30071  
Toll - Free: 888.618.8787  
Fax: 770.448.7312  
[www.fioussa.com](http://www.fioussa.com)

Pietro Fiorentini S.p.A.  
via E.Fermi 8/10  
I-36057 Arcugnano (VI) Italy  
Tel: +39 0444 968.511  
Fax: +39 0444 960.468  
[www.fiorentini.com](http://www.fiorentini.com)

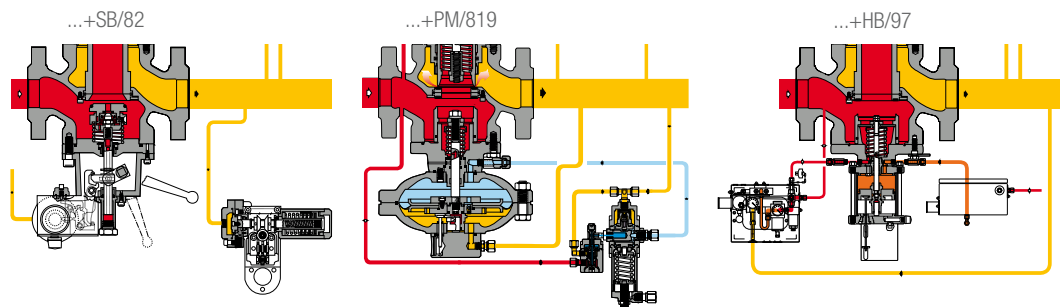
Pilot operating pressure regulator

# Aperflux 851

- Inlet Pressure
- Outlet Pressure
- Motorization
- Motorization Monitor
- Pilot Feed
- Control Pressure



- 302/.**  
0,8 ÷ 9,5 bar  
11,6 ÷ 137,7 psig
- 304/.**  
7 ÷ 43 bar  
101,5 ÷ 623,5 psig
- 305/.**  
20 ÷ 60 bar  
290 ÷ 870,2 psig
- 307/.**  
41 ÷ 74 bar  
594,6 ÷ 1073,3 psig



Aperflux 851 pressure regulators in action

