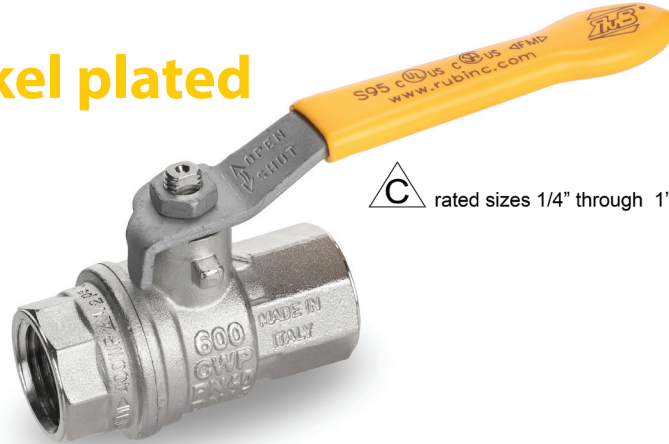




s.95 NPT nickel plated

1/4" - 4"



C rated sizes 1/4" through 1"



Quality

- 24h 100% seal test guaranteed
- Dual sealing system allows valve to be operated in either direction making installation easier
- No metal-to-metal moving parts
- No maintenance ever required
- Handle clearly shows ball position
- Silicone-free lubricant on all seals
- Chrome plated brass ball for longer life
- Handle stops on body to avoid stress at stem

Body

- Hot forged sand blasted, nickel plated brass body and cap sealed with Loctite® or equivalent thread sealant
- Finest brass according to EN 12165 and EN 12164 specifications

Stem

- Blowout-proof nickel plated brass stem
- Maintenance-free, double FPM O-rings at the stem for maximum safety

Sealing

- Pure PTFE self-lubricating seats with flexible-lip design

Threads

- NPT taper ANSI B.1.20.1 female by female threads

Flow

- Full port to DIN 3357 for maximum flow

Handle

- Geomet® carbon steel handle with thick PVC dip coating. Handle coating offers both thermal and electrical protection
- Handle removable with valve in service
- **WARNING:** do not exceed reasonable temperature and/or electrical load

Working pressure & temperature

- 600 PSI (40 bar) up to 2", 450 PSI (30 bar) over 2" non-shock cold working pressure
- 250 PSI (17 bar) non-shock working pressure for LP-Gas
- -40°F/+350°F (-40°C / +170°C)
- **WARNING:** freezing of the fluid in the installation may severely damage the valve

Options up to 2" size

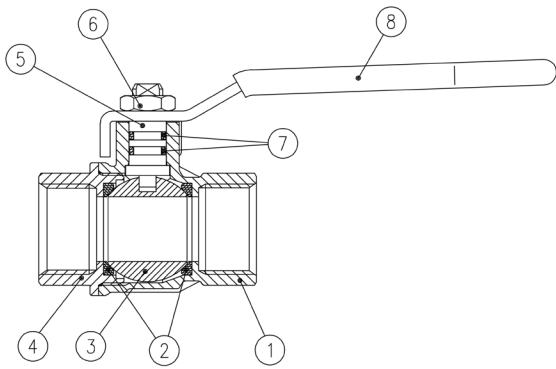
- Stem extension
- T-handle
- Stainless steel handle (1.4016 / AISI 430)
- Oval lockable handle up to 2", round over 2"
- Patented locking device for valves up to 4"
- Stubby handle
- **RuB** memory stop designed to be installed with our stubby handle

Upon request

- Stainless steel ball (1.4401 / AISI 316)
- Glass filled PTFE seals
- Custom design
- Special configuration for industrial oxygen application
- **Approved by or in compliance with**
- Canadian standards Association (United States, Canada)
- Factory Mutual (United States)
- RoHS Compliant (EU)
- GOST-R (Russia)
- Underwriters Laboratories (United States, Canada):
 - Guide YSDT: LP-Gas shut-off valve
 - Guide YRBX: Flammable liquid shut-off valve
 - Guide YRPV: Gas shut-off valve for use with natural and manufactured gases
 - Guide MHKZ: No. 6 oil at 250°F

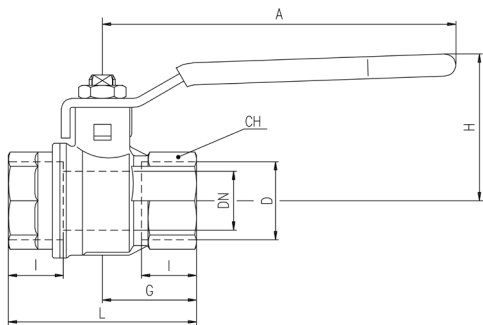


NOTE: approvals apply to specific configurations/sizes only.



Part description	Qty	Material
1 Nickel plated NPT body	1	CW617N
2 Seat	2	PTFE
3 Chrome plated ball	1	CW617N
4 Nickel plated NPT end-cap	1	CW617N
5 Nickel plated stem O-ring design	1	CW617N
6 Geomet® nut	1	CB4FF (EN10263-2)
7 O-Ring	2	FPM
8 Yellow PVC coated Geomet® steel handle	1	DD11 (EN10111)

1 ¼"-2" hollow ball



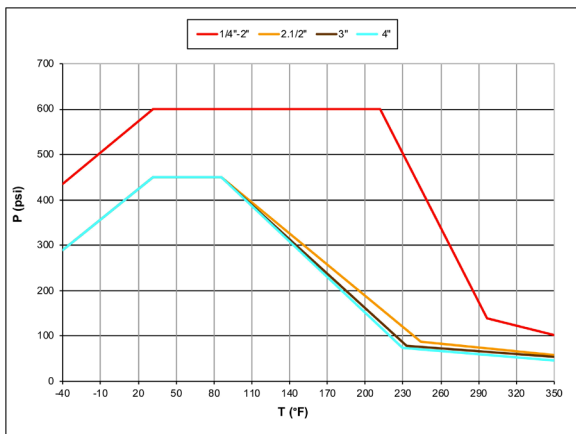
Code	S95B41N	S95C41N	S95D41N	S95E41N	S95F41N	S95G41N	S95H41N	S95I41N	S95L41N	S95M41N	S95N41N
D (inch)	1/4	3/8	1/2	3/4	1	1 1/4	1 1/2	2	2 1/2	3	4
DN (inch)	0.315	0.394	0.590	0.787	0.984	1.260	1.575	1.968	2.559	3.150	3.937
I (inch)	0.472	0.472	0.610	0.669	0.826	0.905	0.905	1.043	1.260	1.377	1.633
L (inch)	1.771	1.771	2.322	2.519	3.188	3.661	4.015	4.763	6.141	6.968	8.504
G (inch)	0.885	0.885	1.161	1.259	1.594	1.830	2.007	2.381	3.070	3.484	4.252
A (inch)	3.228	3.228	3.937	4.724	4.724	6.220	6.220	6.220	10.039	10.039	10.039
H (inch)	1.496	1.496	1.693	1.968	2.126	2.874	3.110	3.386	5.197	5.512	6.063
CH (inch)	0.669	0.787	0.984	1.220	1.574	1.929	2.125	2.696	3.346	3.897	4.921
Cv (GPM)	4.5	9.5	32.3	48.5	80.9	92.4	144.4	206.8	596.2	896.5	1305.5

DN shows the nominal flow diameter.

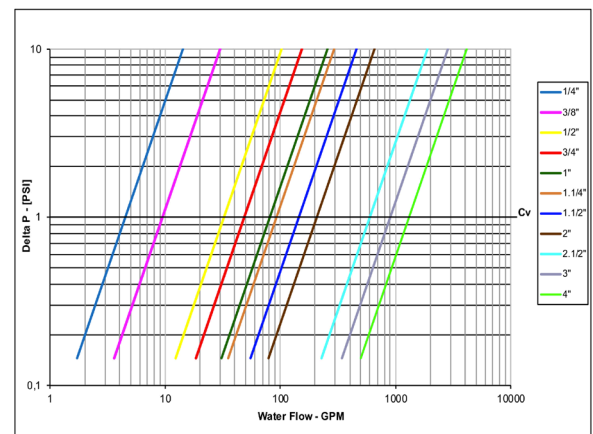
Actual flow diameter complies with full port

DIN 3357 part 4. Stem configuration of valves over 2" is slightly different.

Pressure-temperature chart



Pressure drop chart



WARNING: This product can expose you to chemicals including lead which is known to the state of California to cause cancer and birth defects or other reproductive harm. For more information go to www.P65Warnings.ca.gov

XCES95N - 4711