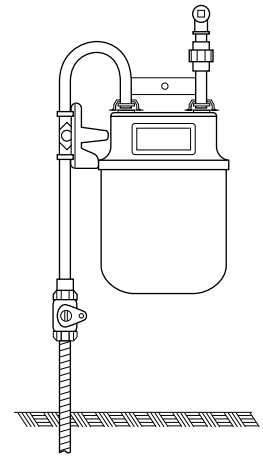
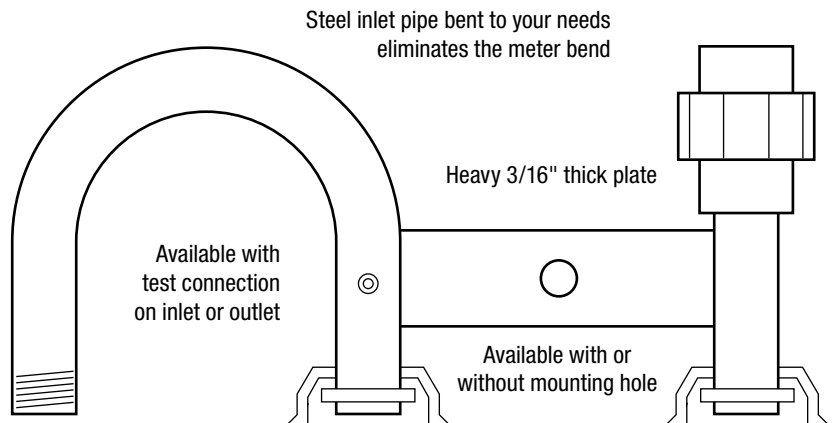


- Eliminates virtually all of the threaded connections associated with a standard meter bend, meter bar, and swivel installation
- Provides a strong, lightweight, all-steel, meter hook up
- Versatile — virtually any inlet/outlet configuration can be accommodated
- Unrestricted flow to the meter
- Cost effective
- Factory coated



Examples of Richards Direct Pipe installations that utilize 90-degree or 180-degree bends or loops ...

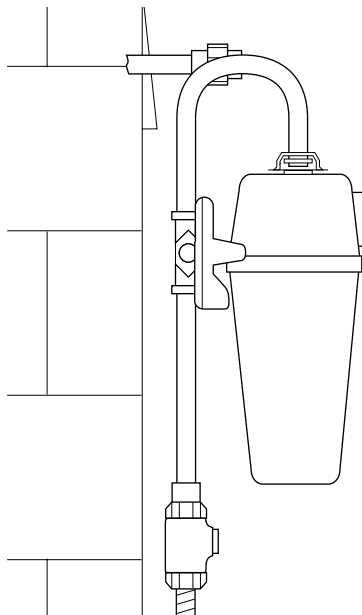


Available with a variety of outlets including insulating unions — positioned side, top or rear to meet house piping

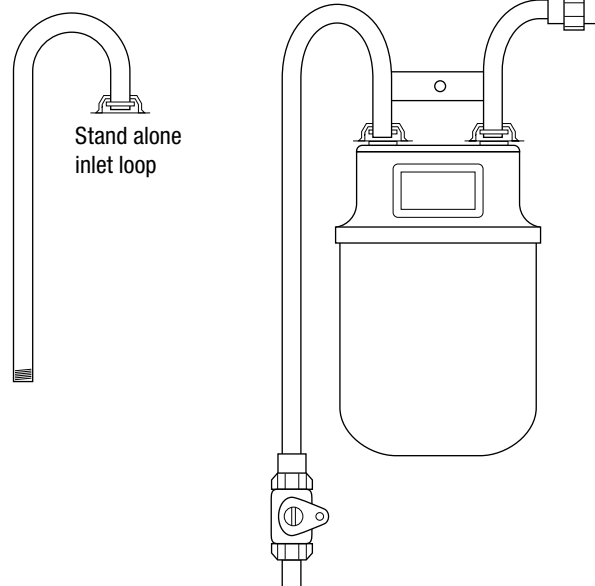
Standard meter nuts

Standard 10LT, 1A, 20LT, or 30LT connections

Complete meter installation rear in – rear out with regulator



Complete meter installation side inlet – side outlet low pressure



Stand alone inlet loop