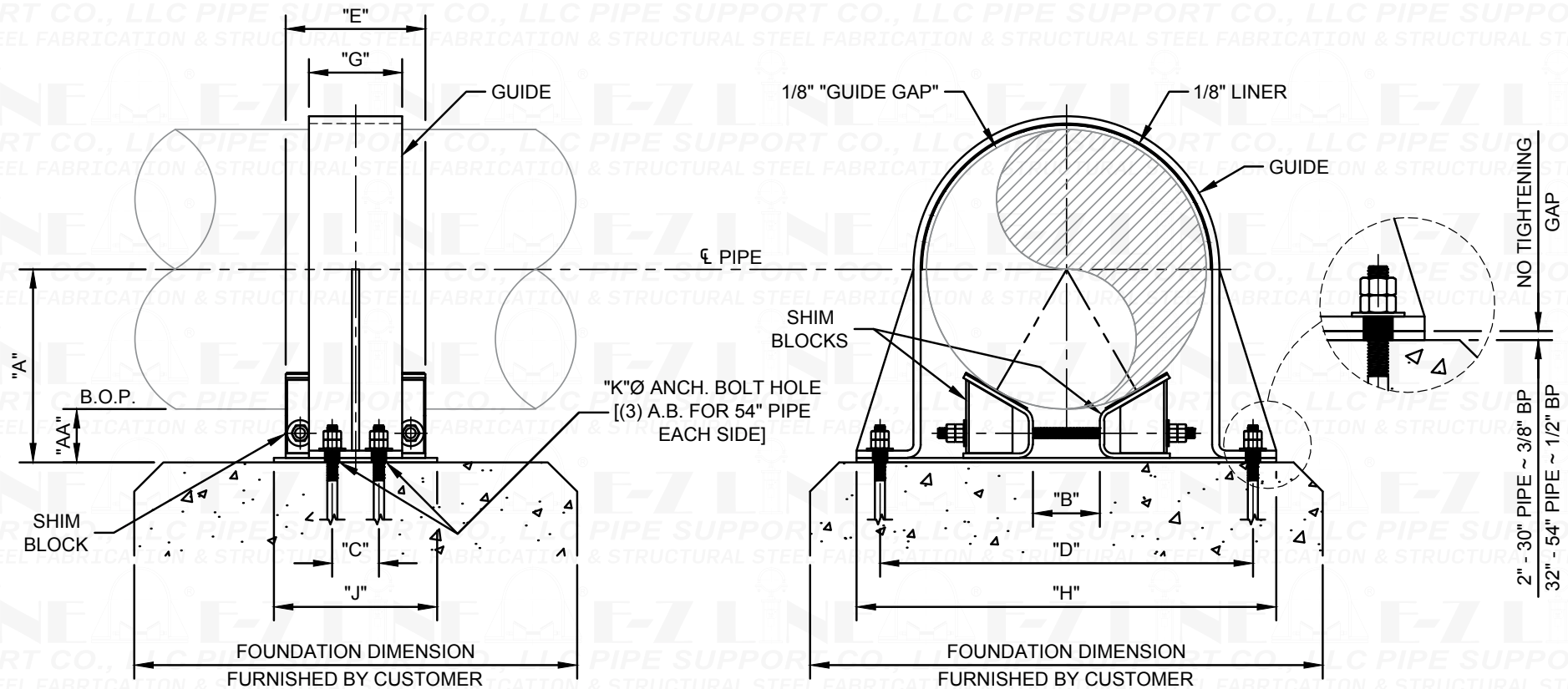


GSB-01A

PIPE GUIDE W/ 1/8" GUIDE GAP



ELEVATION AT PIPE SUPPORT

SECTION THRU PIPE AT SUPPORT