

# FT 518

High - Medium Pressure Gas Regulator



**TECHNICAL BROCHURE**

---

**Pietro Fiorentini USA Inc.**

606 Park Drive | Weirton, WV 26062, United States of America | +1 304 232 9115  
fio.westvirginia@fiorentini.com

**Pietro Fiorentini S.p.A.**

Via E.Fermi, 8/10 | 36057 Arcugnano, Italy | +39 0444 968 511  
sales@fiorentini.com

The data is not binding. We reserve the right  
to make changes without prior notice.

ft518\_technicalbrochure\_USA\_revB

# Who we are

We are a global organization specialized in designing and manufacturing technologically advanced solutions for natural gas treatment, transmission and distribution systems.

We are the ideal partner for operators in the Oil & Gas sector, with a business offer that goes across the whole natural gas chain.

We are in constant evolution to meet our customers' highest expectations in terms of quality and reliability.

Our aim is to be a step ahead of the competition, with customized technologies and an after-sale service program undertaken with the highest grade of professionalism.



## Pietro Fiorentini advantages



Localized technical support



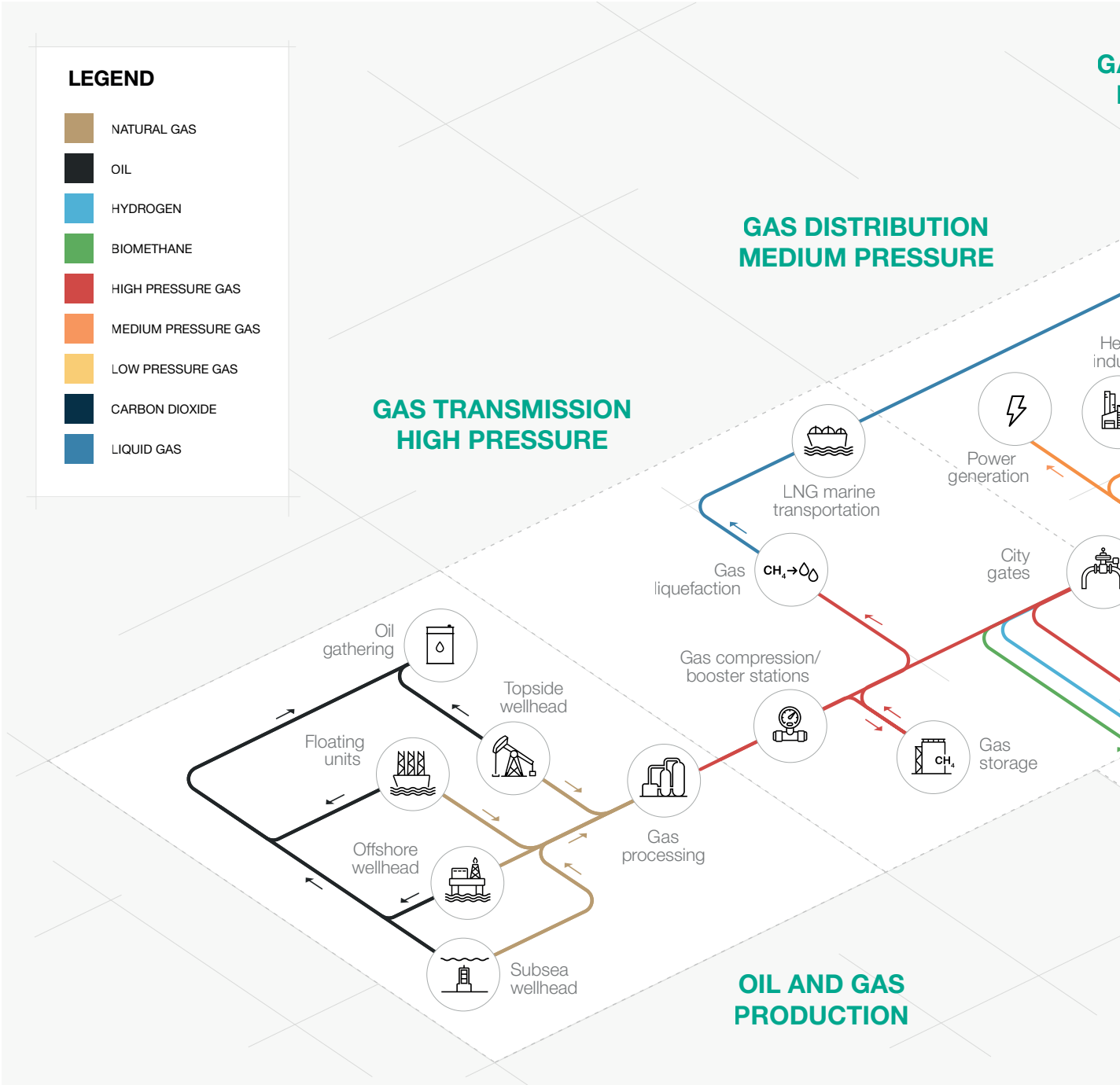
Experience since 1940



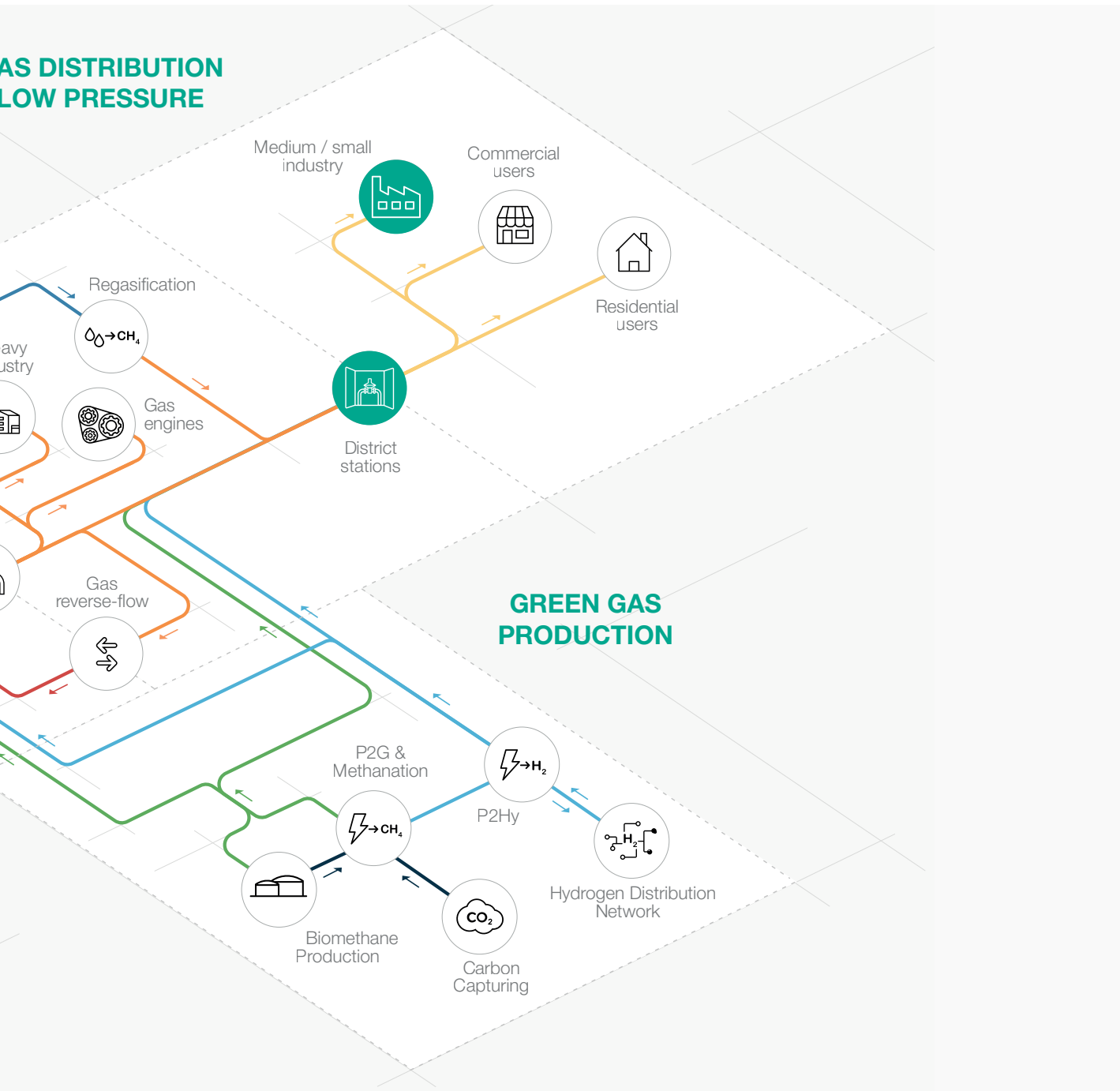
We operate in over 100 countries



# Area of Application



Green icon indicates the application where this product is suitable for



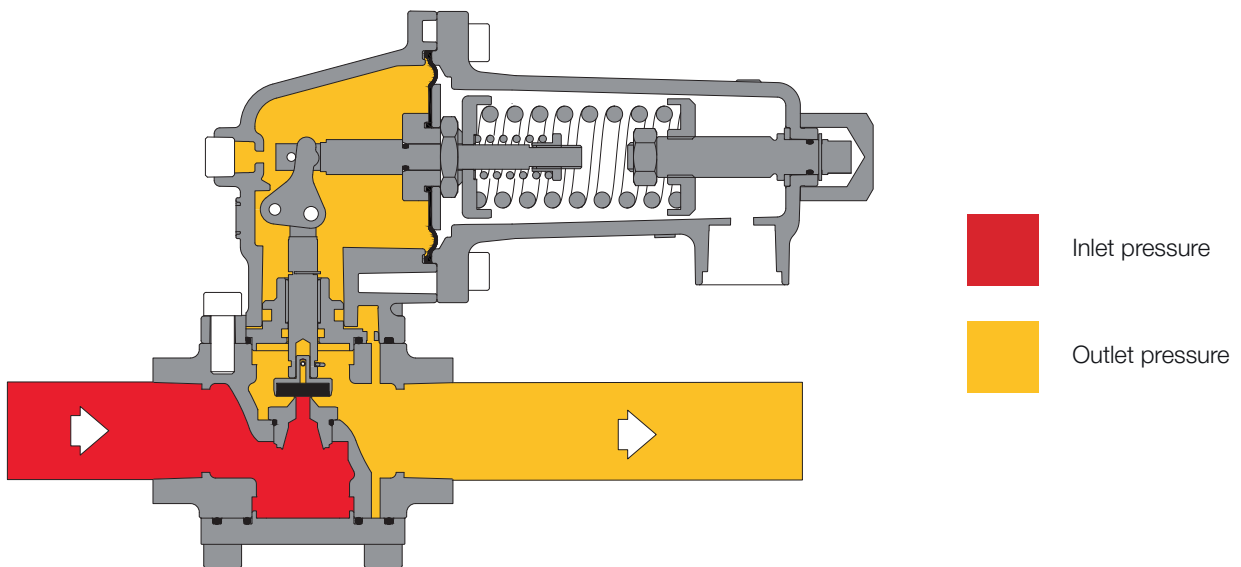
**Figure 1** Area of Application Map

# Introduction

**FT 518** is a **lever-operated** regulator controlled by a diaphragm and setting spring which controls the valve.

It is mainly used for farm tap applications, high-pressure transmission systems and for medium pressure natural gas distribution networks with previously filtered non-corrosive gases.

According to the European Standard, it is classified as **Fail Open**.



**Figure 2** FT 518

# Features and Calibration ranges

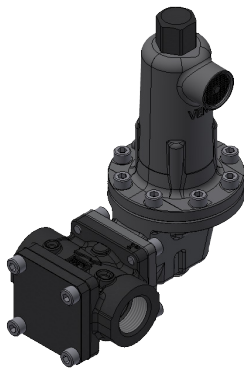
**FT 518** is a **lever-operated** device for high and medium pressure with **multiple replaceable orifice**.

FT 518 is an unbalanced pressure regulator.

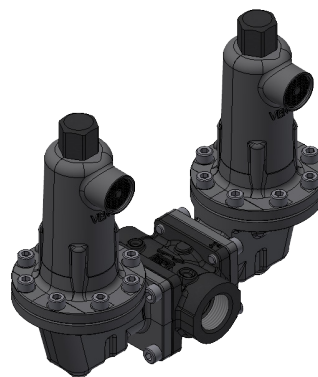
This regulator is suitable for use with previously filtered, non corrosive gases. It is a **truly top entry design** which allows an **easy maintenance** of parts directly in the field **without removing the body from the pipework**.

When the built-in token relief valve is active, it prevents undesirable slam shut trip due to minor internal leakages or ambient temperature variation.

The modular design of FT 518 pressure regulators allows to retrofit either slam shut valve or integral full monitor.



**Figure 3** FT 518



**Figure 4** FT 518 with PM/518



## FT 518 competitive advantages



Compact and simple design



Top entry



Operates with high differential pressure



Built-in accessories



Built-in filter



Easy maintenance



Token IRV



Biomethane compatible and available with specific versions for full Hydrogen or blending

## Features

Features	Values
Design pressure* (PS <sup>1</sup> / DP <sup>2</sup> )	up to 6.94 MPa up to 1000 psig
Ambient temperature* (TS <sup>1</sup> )	from -40 °C to +60 °C from -40 °F to +140 °F
Inlet gas temperature*	from -20 °C to +60 °C from -4 °F to +140 °F
Inlet pressure (MAOP / p <sub>umax</sub> <sup>1</sup> )	from 0.14 to 6.94 MPa from 20 to 1000 psig
Range of downstream pressure (Wd <sup>1</sup> )	from 0.034 to 3.4 MPa from 5 to 500 psig
Available accessories	Token IRV, built-in strainer, incorporated monitor, incorporated slam-shut
Minimum operating differential pressure (Δp <sub>min</sub> <sup>1</sup> )	49 kPa 7 psig
Accuracy class (AC <sup>1</sup> )	up to 20 (depending on working conditions)
Lock-up pressure class (SG <sup>1</sup> )	up to 20 (depending on working conditions)
Nominal size (DN <sup>1,2</sup> )	DN 20   3/4"; DN 25   1"; DN 50   2"
Orifice	3/32"; 1/8"; 3/16"; 1/4"; 3/8"; 1/2"
Connections	threaded NPT, flanged or SW (available soon)

(<sup>1</sup>) according to EN334 standard

(<sup>2</sup>) according to ISO 23555-1 standard

(\*) NOTE: Different functional features and/or extended temperature ranges may be available on request. Stated inlet gas temperature range is the maximum for which the equipment's full performance, including accuracy is guaranteed. Product may have a different pressure or temperature ranges according to the version and/or installed accessories.

Table 1 Features



# Materials and Approvals

Part	Material
Body	Ductile iron GS400-18 equivalent to ASTM 536 60-40-18
Cover	Die cast aluminum
Valve	Nitrile rubber / High performance compound
Seat	Brass
Diaphragm	Nitrile rubber
Sealing ring	Nitrile rubber
Stem	Stainless steel

**NOTE:** The materials indicated above refer to the standard models. Different materials can be provided according to specific needs.

**Table 2** Materials

## Construction Standards and Approvals

**FT 518** regulator, is designed according to the ANSI B 109.4 standard where applicable. The regulator reacts in opening (Fail Open) according to EN 334 classification. Leakage class: bubble tight, better than class VIII according to ANSI/FCI 70-3.



ANSI B109.4



# Design pressure by version

Design pressure (PS according to EN334)				
Version	Body		Slam shut	
	MPa	psig	MPa	psig
all versions	6.89	1000	6.89	1000

**Table 3** Design pressure for body and slam shut

Design pressure (PS according to EN334)				
Parts	Control head			
	FT518 LP		FT518 HP	
	MPa	psig	MPa	psig
Covers	5.17	750	5.17	750
Diaphragm	1.72	250	5.17	750
Max Diaphragm $\Delta p$	1.37	200	4.48	650

**Table 4** Design pressure for regulator's parts

# Maximum allowable operating pressure

MAOP Maximum Allowable Operating Pressure ( $p_{umax}$ according to EN334)					
Version	Control head				
	FT518 LP		FT518 HP		
	MPa	psig	MPa	psig	
WITHOUT CE MARKING	all versions	6.89	1000	6.89	1000

**Table 5** MAOP Maximum Allowable Operating Pressure without CE marking

# Springs ranges and control heads

Type	Model	Operation	Range Wh		Spring Table web link
			MPa	psig	
Main regulator	FT 518 LP	Manual	0.03 - 0.86	5 - 125	<a href="#">TT 1810</a>
Main regulator	FT 518 HP	Manual	0.76 - 3.45	110 - 500	<a href="#">TT 1810</a>

**Table 6** Settings table

LP FT 518							
Pos.	Spring item code	Spring colour	d	Lo	De	Spring range (psi)	
						Min.	Max.
1	US2701270	Grey	3.5	100	35	5.00	9.99
2	US2701541	White	4	100	35	10.00	20
3	US2701800	Yellow	4.5	100	35	20.01	31.99
4	US2702080	Orange	5	100	35	32.00	49.99
5	US2702290	Red	5.5	100	35	50.00	80
6	US2702460	Green	6	100	35	80.01	124.98

**d** = Wire Diameter (mm)    **Lo** = Spring Length (mm)    **De** = External Diameter (mm)

**Table 7** TT1810 - LP FT 518 setting springs

HP FT 518							
Pos.	Spring item code	Spring colour	d	Lo	De	Spring range (psi)	
						Min.	Max.
1	US2702460	Green	6	100	35	109.99	219.98
2	US2702660	Black	6.5	100	35	220	319.98
3	US2702820	Blue	7	100	35	320	499.98

**d** = Wire Diameter (mm)    **Lo** = Spring Length (mm)    **De** = External Diameter (mm)

**Table 8** TT1810 - HP FT 518 setting springs

# Accessories

## For the pressure regulators:

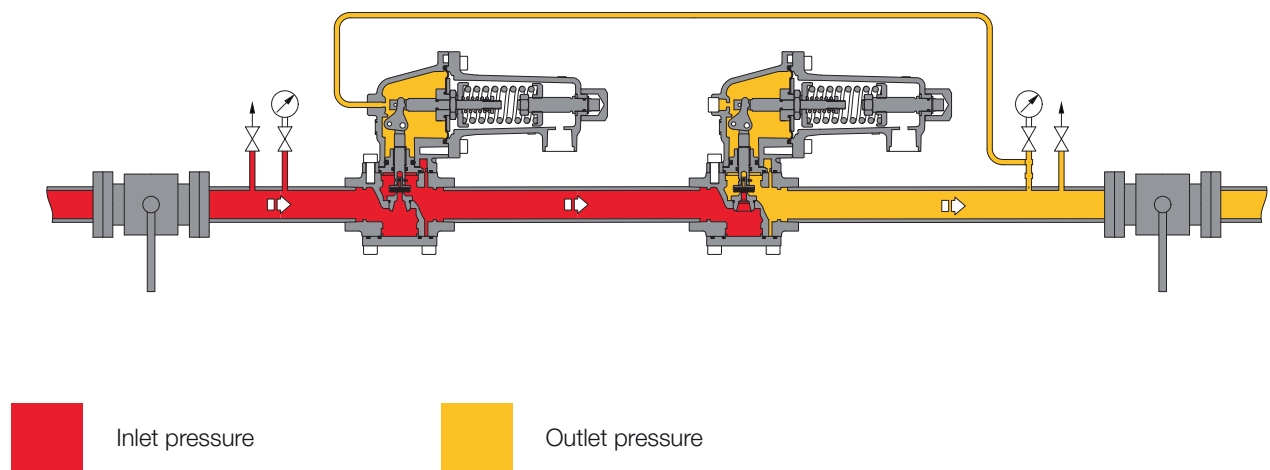
- Integral full monitor PM/518
- Slam shut valve SB/518
- Strainer

## Inline monitor

A monitor is an emergency pressure regulator that is usually upstream from the worker regulator.

In an abnormal event when the worker regulator is unable to maintain downstream pressure from exceeding the set point, the monitor will take over the worker regulator at a set point slightly higher.

An external sensing line is required in upstream monitor configurations, and the internal sensing line shall be plugged.



**Figure 5** FT 518 with inline monitor setup

## PM/518 monitor

**This emergency regulator (monitor) is directly integrated** onto the body of the main regulator. Both pressure regulators, therefore, use the same valve body, although they have independent actuators and valve's seats.

The monitor is normally in the fully open position during normal operation of the active/worker regulator and takes over in the event of its failure.

The operational characteristics of the PM/518 monitor are the same as for the FT 518 regulator.

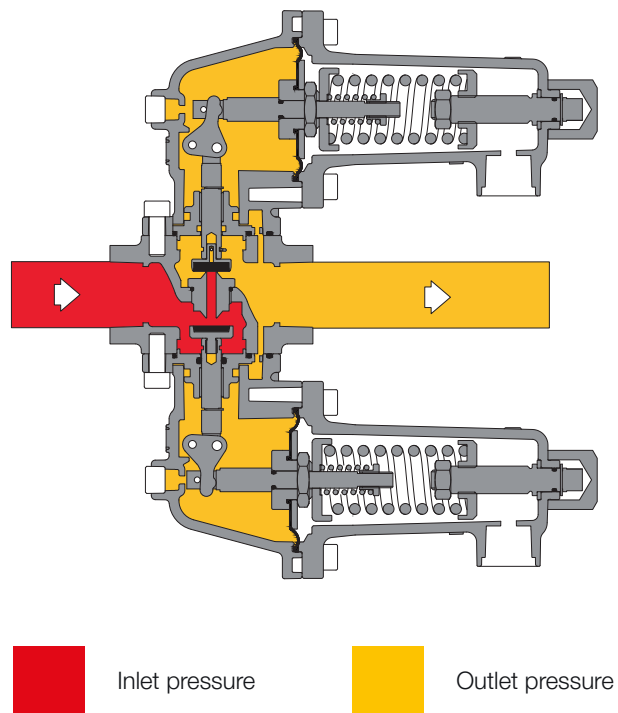
The Cg coefficients of regulators having an incorporated monitor is 5% lower than those for standard version.

This solution allows the construction of pressure reduction lines with compact dimensions.

Another great advantage offered by the incorporated monitor regulator is that **it can be installed at any time**, even on an existing regulator, **without major changes to the pipework**.

The main characteristics of this device are:

-  Compact dimensions
-  Completely independent
-  "Fail to open" action
-  Easy maintenance



**Figure 6** FT 518 with PM/518

# High - Medium Pressure Gas Regulator



Type	Model	Operation	Range Wh		Spring Table web link
			MPa	psig	
Monitor	PM/518 LP	Manual	0.03 - 0.86	5 - 125	<a href="#">TT 1810</a>
Monitor	PM/518 HP	Manual	0.76 - 3.45	110 - 500	<a href="#">TT 1810</a>

**Table 9** Setting table

General link to the calibration tables: [PRESS HERE](#) or use the QR code:



## SB/518 slam shut valve









FT 518 pressure regulator offers the possibility of installing an **incorporated slam shut valve SB/518** and this can be done either during the manufacturing process or be retrofitted in the field.

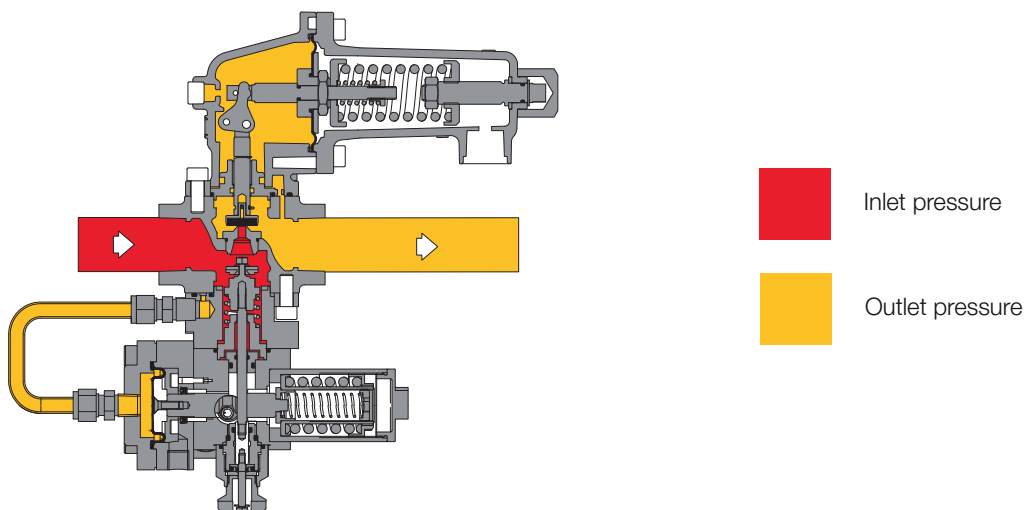
SB/518 is available for all sizes.

**Retrofitting can be done without modifying** the pressure regulator assembly.

With the built-in slam shut, the Cg valve coefficients is 5% lower than the corresponding version without.

The main characteristics of this device are:

-  OPSO Over Pressure Shut-Off
-  UPSO Under Pressure Shut-Off
-  Internal by-pass
-  Push button for tripping test
-  Compact dimensions
-  Easy maintenance
-  Remote tripping option
-  Limit switch option



**Figure 7** FT 518 with SB/518



Pressure switch types and ranges					
SSV Type	Model	Operation	Range Wh		Spring Table web link
			MPa	psig	
SB/518	103	OPSO	0.2 - 2.2	29 - 319	<a href="#">TT 1331</a>
		UPSO	0.02 - 1.9	2.9 - 275.6	
SB/518	104	OPSO	1.5 - 4.5	217.6 - 652.6	<a href="#">TT 1331</a>
		UPSO	0.16 - 4.1	23.2 - 594.6	

**Table 10** Settings table

MOD.103M (OPSO) - 103MH (OPSO)							
Pos.	Spring item code	Spring colour	d	Lo	De	Spring range (psi)	
						Min.	Max.
1	US2701530	Yellow	4	60	35	29.00	58.01
2	US2701790	Yellow/Black	4.5	60	35	58.02	108.77
3	US2702280	White/Red	5.5	60	35	108.7	217.54
4	US2702454	Fuchsia	6	70	35	217.56	319.07

**d** = Wire Diameter (mm)   **Lo** = Spring Length (mm)   **De** = External Diameter (mm)

**Table 11** TT 872 - MOD.103M (OPSO) - 103MH (OPSO) setting springs

MOD.103M (UPSO)							
Pos.	Spring item code	Spring colour	d	Lo	De	Spring range (psi)	
						Min.	Max.
1	US2700464	Orange	1.7	40	15	2.90	7.25
2	US2700513	Red	2	40	15	7.26	11.60
3	US2700713	Green	2.3	40	15	11.61	24.65
4	US2700750	Black	2.5	40	15	24.67	58.01
5	US2700985	Brown	3	40	15	58.02	116.02

**d** = Wire Diameter (mm)   **Lo** = Spring Length (mm)   **De** = External Diameter (mm)

**Table 12** TT 872 - MOD.103M (UPSO) setting springs

MOD.103MH (UPSO)							
Pos.	Spring item code	Spring colour	d	Lo	De	Spring range (psi)	
						Min.	Max.
1	US2700985	Brown	3	40	15	116.02	188.54
	US2700980	Blue	3	35	15		
2	US2700985	Brown	3	40	15	188.55	275.5
	US2700985	Brown	3	40	15		

**d** = Wire Diameter (mm)   **Lo** = Spring Length (mm)   **De** = External Diameter (mm)

**Table 13** TT 872 - MOD.103MH (UPSO) setting springs



**MOD.104M (OPSO) - 104MH (OPSO)**

Pos.	Spring item code	Spring colour	d	Lo	De	Spring range (psi)	
						Min.	Max.
2	US2702280	White/Red	5.5	60	35	217.56	435.09
3	US2702454	Fuchsia	6	70	35	435.11	652.64

**d** = Wire Diameter (mm)   **Lo** = Spring Length (mm)   **De** = External Diameter (mm)

**Table 14** TT 872 - MOD.104M (OPSO) - 104MH (OPSO) setting springs

**MOD.104M (UPSO)**

Pos.	Spring item code	Spring colour	d	Lo	De	Spring range (psi)	
						Min.	Max.
1	US2700713	Green	2.3	40	15	23.20	43.50
2	US2700750	Black	2.5	40	15	43.52	116.02
3	US2700985	Brown	3	40	15	116.04	261.05

**d** = Wire Diameter (mm)   **Lo** = Spring Length (mm)   **De** = External Diameter (mm)

**Table 15** TT 872 - MOD.104M (UPSO) setting springs

**MOD.104MH (UPSO)**

Pos.	Spring item code	Spring colour	d	Lo	De	Spring range (psi)	
						Min.	Max.
1	US2700985	Brown	3	40	15	261.05	435.09
	US2700980	Blue	3	35	15		
2	US2700985	Brown	3	40	15	435.11	594.63
	US2700985	Brown	3	40	15		

**d** = Wire Diameter (mm)   **Lo** = Spring Length (mm)   **De** = External Diameter (mm)

**Table 16** TT 872 - MOD.104MH (UPSO) setting springs

General link to the calibration tables: [PRESS HERE](#) or use the QR code:





## Integral strainer (Fig. 8 - Item 2)

FT 518 is equipped with a removable internal 300 micron strainer to prevent foreign particles, such as weld slag or PE shavings, to get stuck between orifice and seat/disk thus preventing lockup.

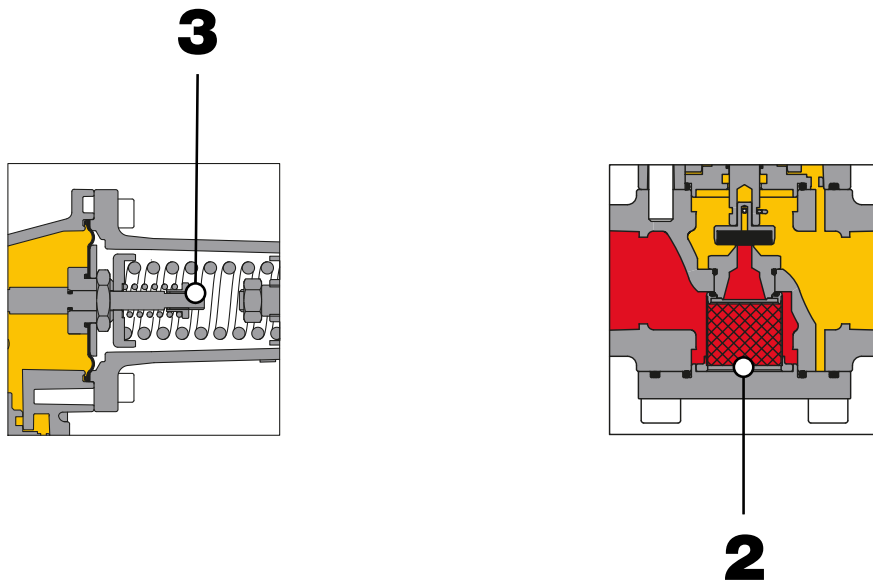
Futhermore, the strainer provides protection to all integral accessories as well as downstream customer's assets.

The strainer can be easily accessed without removing the regulator body from the piping, to be cleaned or replaced, if necessary.

## Token relief valve (Fig. 8 - Item 3)

FT 518 has an optional token relief valve that discharges a small volume of gas to the atmosphere when the regulator exceeds the relief valve set point. Token relief valve cannot be used as overpressure protection device.

During no-flow conditions, thermal expansion of the gas can cause downstream static pressure to build up. The token relief valve will prevent downstream pressure from rising, and if equipped, prevent nuisance tripping of the slam shut valve.



**Figure 8** FT 518 components location

## Outlet pressure sensing

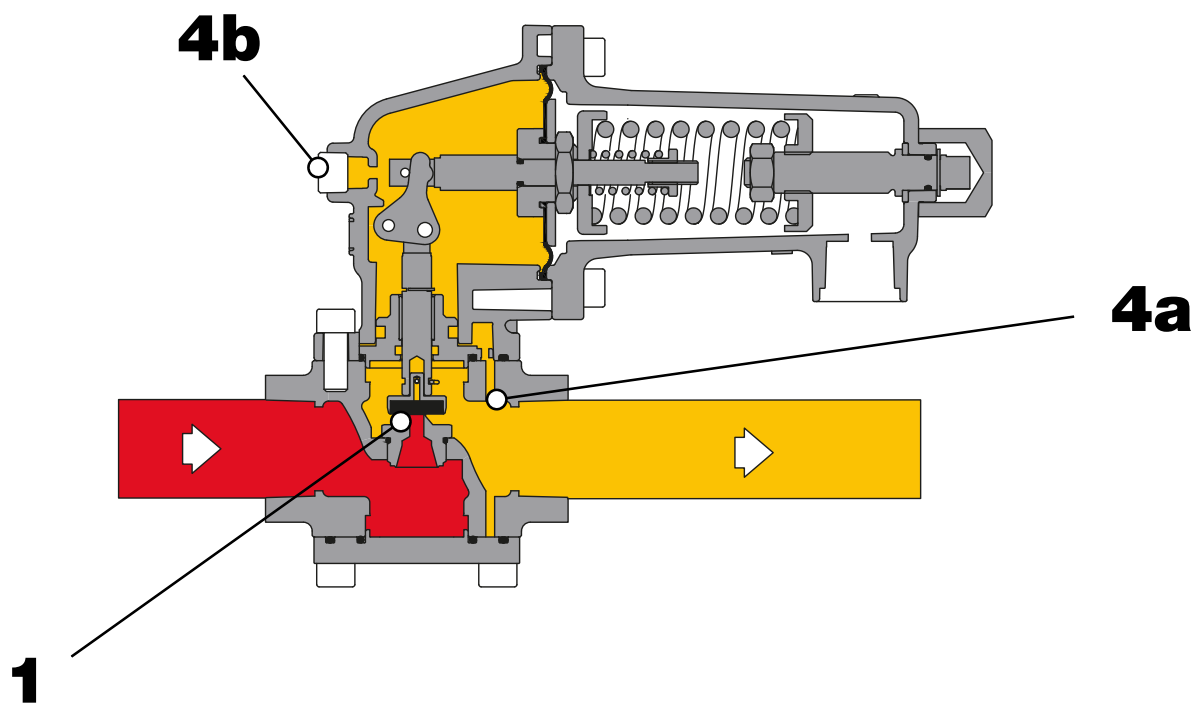
FT 518 can sense downstream pressure internally (4a), externally (4b), or by using both.

Internal sense versions have a sense line built into the outlet of the regulator body.

Externally sensed versions require the internal sense line to be plugged, and use a secondary external sense line connected to the lower diaphragm case.

When using the external sense configuration without plugging the internal sense line, the higher pressure of the two will provide the control pressure to the lower diaphragm.

This can be used to improve response time in applications where the load changes quickly.



**Figure 9** FT 518 components location



## Safety limitation

In case of a single regulator supplied without built-in overpressure protection device (SSV, IMD or IFM), the regulator shall be protected with a secondary means of overpressure protection per the DOT §192.740 & NFPA 54 5.9.3.1 standard.

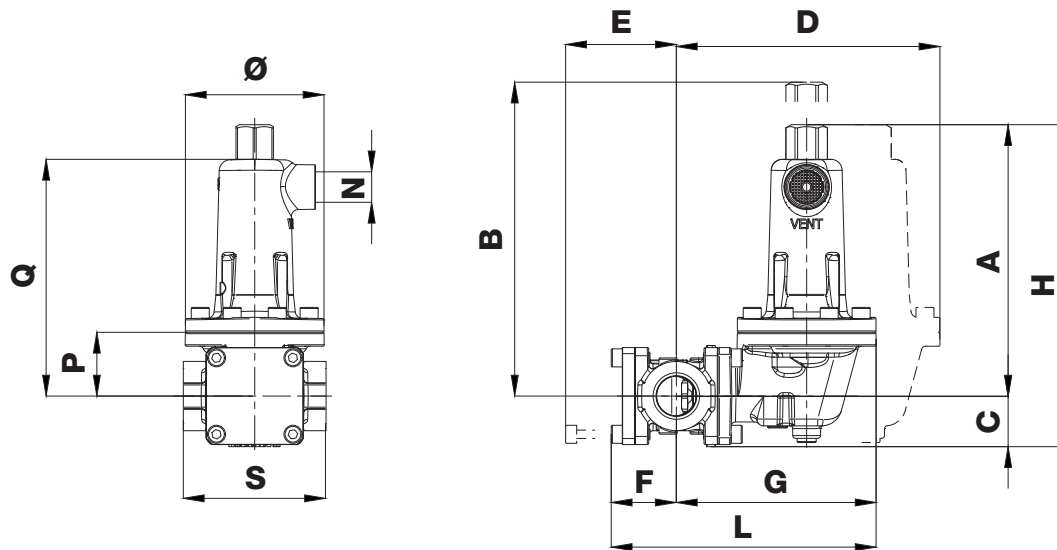
The over pressure protection must be provided per code capable of limiting the downstream pressure to the system.

<b>FT 518 Safety limitation table</b>				
<b>MAXIMUM PRESSURE DESCRIPTION</b>		Maximum pressure to prevent external leak other than IRV action (internal parts damage may occur)	Maximum pressure to prevent burst of casings during abnormal operation (leak and internal parts damage may occur)	Maximum diaphragm casing overpressure (above setpoint) to prevent damage to internal parts
<b>DIAPHRAGM CASING MATERIAL</b>		Die casting aluminum	Die casting aluminum	Die casting aluminum
<b>Type FT518 LP</b>	psig	250	750	60
	MPa	1.72	5.17	0.41
<b>Type FT518 LP IRV</b>	psig	250	750	150
	MPa	1.72	5.17	1.03
<b>Type PM/518 LP</b>	psig	250	750	60
	MPa	1.72	5.17	0.41
<b>Type PM/518 LP IRV</b>	psig	250	750	150
	MPa	1.72	5.17	1.03
<b>Type FT518 HP</b>	psig	750	750	120
	MPa	5.17	5.17	0.83
<b>Type FT518 HP IRV</b>	psig	750	750	240
	MPa	5.17	5.17	1.65
<b>Type PM/518 HP</b>	psig	750	750	120
	MPa	5.17	5.17	0.83
<b>Type PM/518 HP IRV</b>	psig	750	750	120
	MPa	5.17	5.17	0.83

**Table 17** Safety limitation

# Weights and Dimensions

## FT 518

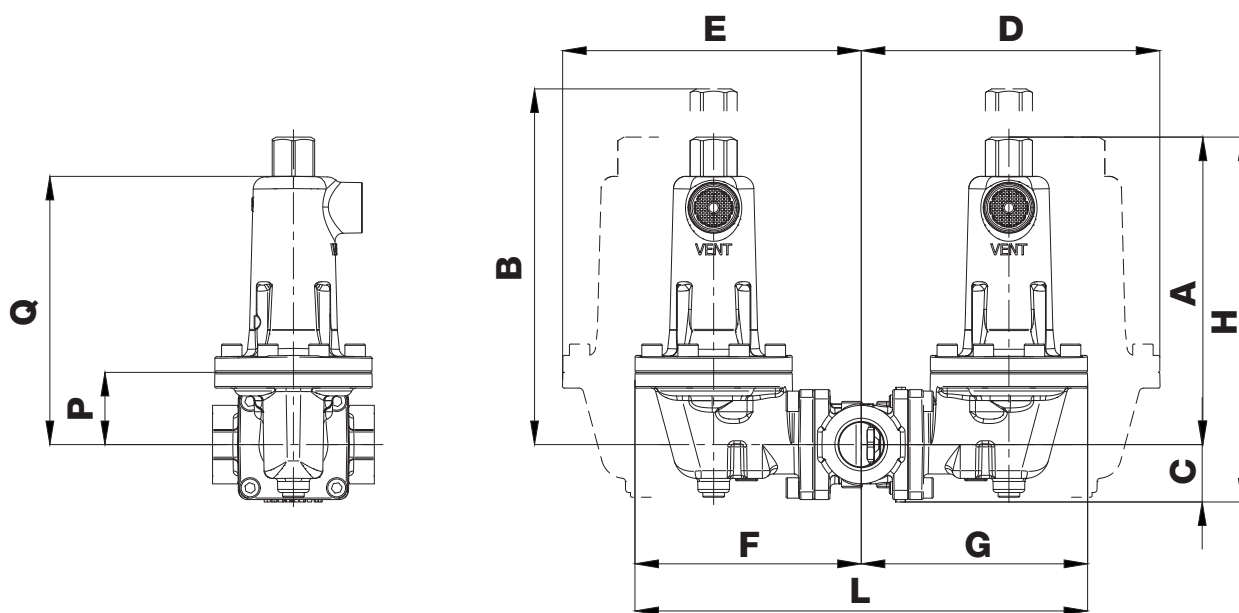


**Figure 10** FT 518 dimensions

Weights and Dimensions (for other connections please contact your closest Pietro Fiorentini representative)		
	[mm]	inches
A	195	7.7
B	213	8.4
C	35.5	1.4
D	162	6.38
E	88	3.46
F	47	1.85
G	143.5	5.65
H	231	9.1
L	190.5	7.5
P	46	1.8
Q	171	6.73
S	103 for DN20 and DN25 132 for DN50	4 for DN20 and DN25 5.2 for DN50
Ø	100	3.94
SENSING		1/4 NPT
VENT		3/4 NPT
Weight	Kg	lbs
1" NPT and 3/4" NPT	3.5	7.7
2" NPT	4.6	10.1

**Table 18** Weights and dimensions

# FT 518 + PM/518



**Figure 11** FT 518 with PM/518 dimensions

Weights and Dimensions (for other connections please contact your closest Pietro Fiorentini representative)		
	[mm]	inches
A	195	7.7
B	213	8.4
C	35.5	1.4
D	162	6.38
E	162	6.38
F	143.5	5.65
G	143.5	5.65
H	231	9.1
L	287	11.3
P	46	1.8
Q	171	6.73
S	103 for DN20 and DN25 132 for DN50	4 for DN20 and DN25 5.2 for DN50
Ø	100	3.94
SENSING		1/4 NPT
VENT		3/4 NPT
Weight	Kg	lbs
1" NPT and 3/4" NPT	5.5	12.12
2" NPT	6.6	14.5

**Table 19** Weights and dimensions

# FT 518 + SB/518

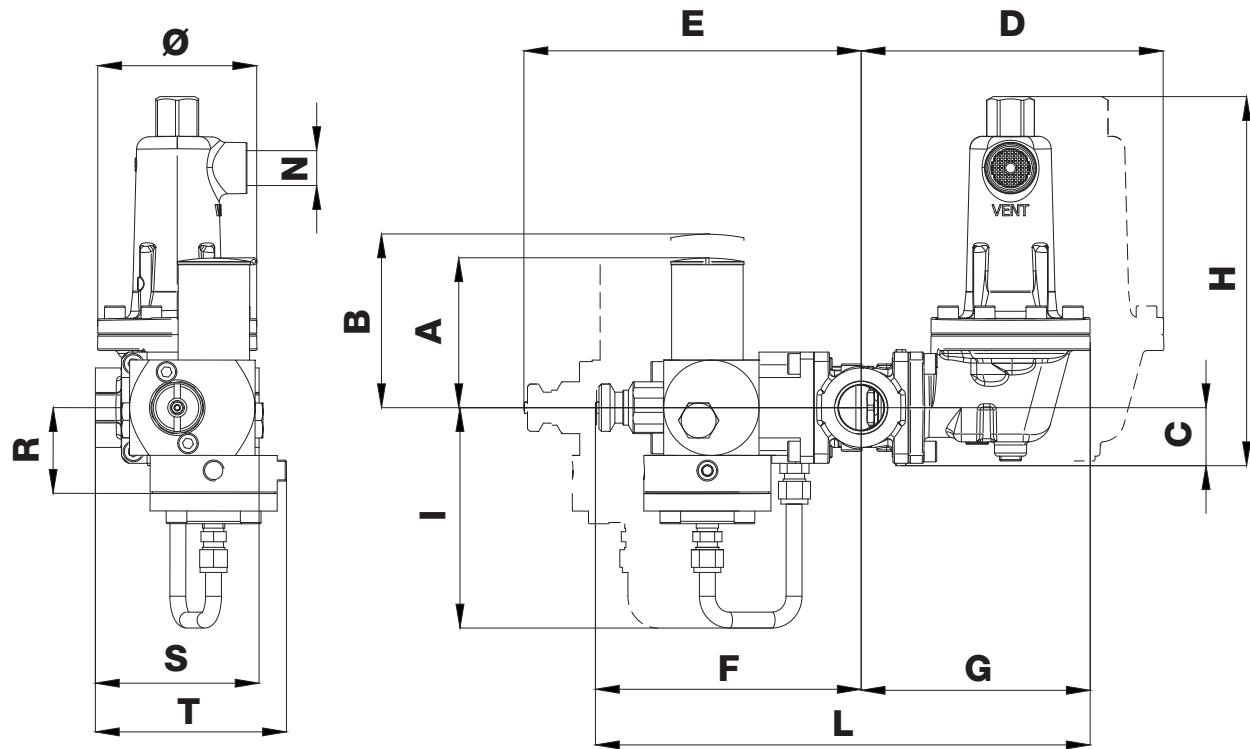


Figure 12 FT 518 with SB/518 dimensions

Weights and Dimensions (for other connections please contact your closest Pietro Fiorentini representative)		
	[mm]	inches
A	94	3.7
B	102	4.0
C	36	1.4
D	162	6.38
E	188	7.4
F	168	6.6
G	143.5	5.65
H	231	9.1
I	152.5	6.0
L	312.4	12.3
P	55	2.15
S	103 for DN20 and DN25 132 for DN50	4 for DN20 and DN25 5.2 for DN50
T	132	5.2
Ø	100	3.94
SENSING		1/4 NPT
VENT		3/4 NPT
<b>Weight</b>		
	Kg	lbs
1" NPT and 3/4" NPT	7.4	16.3
2" NPT	8.5	18.7

Table 20 Weights and dimensions



# Sizing and Cg

In general, the choice of a regulator is made based on the calculation of the flow rate determined by the use of formulae using the flow rate coefficients (Cg) and the form factor (K1) as indicated by the EN 334 standard.

Flow rate coefficient						
Orifice sizes	3/32"	1/8"	3/16"	1/4"	3/8"	1/2"
Cg	7.1	13	27.8	50	110	150
K1	110	110	110	110	110	110

**Table 21** Flow rate coefficient

For sizing [PRESS HERE](#) or use the QR code:



**Note:** In case you do not have the proper credentials to access, feel free to contact your closest Pietro Fiorentini representative.

In general the online sizing considers multiple variables as the regulator is installed in a system, enabling a better and multiperspective approach to the sizing.

For different gases, and for natural gas with a different relative density other than 0.61 (compared to air), the correction coefficients from the following formula shall be applied.

$$F_c = \sqrt{\frac{175.8}{S \times (273.16 + T)}}$$

S = relative density (refere to table 23)  
T = gas temperature ( °C )

$$F_c = \sqrt{\frac{316.44}{S \times (459.67 + T)}}$$

S = relative density (refere to table 23)  
T = gas temperature ( °F )



Correction Factor Fc		
Gas Type	Relative Density S	Correction Factor Fc
Air	1.00	0.78
Propane	1.53	0.63
Butane	2.00	0.55
Nitrogen	0.97	0.79
Oxygen	1.14	0.73
Carbon Dioxide	1.52	0.63

Note: the table shows the Fc correction factors valid for Gas, calculated at a temperature of 15°C | 59 °F and at the declared relative density.

**Table 22** Correction Factor Fc

Flow rate conversion
Stm <sup>3</sup> /h x 0.94795 = Nm <sup>3</sup> /h

Nm<sup>3</sup>/h reference conditions T= 0 °C; P= 1 barg  
 Stm<sup>3</sup>/h reference conditions T= 15 °C; P= 1 barg

**Table 23** Flow rate conversion

**CAUTION:**

In order to get optimal performance, to avoid premature erosion phenomena and to limit noise emissions, it is recommended to check the gas speed and its compliance with local practice and regulations. The gas speed at the outlet flange may be calculated by means of the following formula:

$$V = 345.92 \times \frac{Q}{DN^2} \times \frac{1 - 0.002 \times Pd}{1 + Pd}$$

V = gas speed in m/s  
 Q = gas flow rate in Stm<sup>3</sup>/h  
 DN = nominal size of regular in mm  
 Pd = outlet pressure in barg

$$V = 0.0498 \times \frac{Q}{DN^2} \times \frac{14.504 - 0.002 \times Pd}{14.504 + Pd}$$

V = gas speed in ft/s  
 Q = gas flow rate in Scfh  
 DN = nominal size of regular in inches  
 Pd = outlet pressure in psi



# Flow capacity tables

## FT 518 - 3/32 STD - LP - DN 3/4" | 20 mm

Inlet pressure: from 0.69 MPa [100 psig] to 6.94 MPa [1000 psig]

Outlet pressure: from 0.06 MPa [10 psig] to 0.86 MPa [125 psig]

**FT 518 - 3/32 STD - LP** recommended max flow rate for optimal performance

Inlet pressure		Outlet pressure									
		0.06 Mpa / 10 psig		0.13 Mpa / 20 psig		0.2 Mpa / 30 psig		0.41 Mpa / 60 psig		0.86 Mpa / 125 psig	
MPa	psig	Stm <sup>3</sup> /h	Scfh	Stm <sup>3</sup> /h	Scfh	Stm <sup>3</sup> /h	Scfh	Stm <sup>3</sup> /h	Scfh	Stm <sup>3</sup> /h	Scfh
0.69	100	28	1000	28	1000	28	1000	28	1000	-	-
1.04	150	38	1400	38	1400	38	1400	38	1400	34	1200
1.39	200	49	1800	49	1800	50	1800	50	1800	49	1800
2.08	300	76	2700	76	2700	80	2900	76	2700	72	2600
3.47	500	120	4300	120	4300	125	4400	115	4100	115	4100
5.21	750	180	6400	180	6400	180	6400	180	6400	175	6200
6.94	1000	245	8700	250	8900	250	8900	250	8900	240	8500

Cg = 9 K1= 120

**FT 518 - 3/32 STD - LP** flow rate with wide open regulator (100% capacity)

Inlet pressure		Outlet pressure									
		0.06 Mpa / 10 psig		0.13 Mpa / 20 psig		0.2 Mpa / 30 psig		0.41 Mpa / 60 psig		0.86 Mpa / 125 psig	
MPa	psig	Stm <sup>3</sup> /h	Scfh	Stm <sup>3</sup> /h	Scfh	Stm <sup>3</sup> /h	Scfh	Stm <sup>3</sup> /h	Scfh	Stm <sup>3</sup> /h	Scfh
0.69	100	36	1300	36	1300	36	1300	34	1300	-	-
1.04	150	52	1900	52	1900	52	1900	52	1900	38	1400
1.39	200	68	2500	68	2500	68	2500	68	2500	64	2300
2.08	300	100	3600	100	3600	100	3600	100	3600	100	3600
3.47	500	163	5800	163	5800	163	5800	163	5800	163	5800
5.21	750	242	8600	242	8600	242	8600	242	8600	242	8600
6.94	1000	322	11400	322	11400	322	11400	322	11400	322	11400

Cg = 9 K1= 120

**Note:** Recommended max flow rate are considering multiple factors such as: extend the regulator's life, mitigate the erosion/vibrations for high velocity and to minimize the noise emission.

**Remark:** all capacity stated are considering a stand alone regulator. In case of incorporated accessories a reduction of flow shall be considered.

## FT 518 - 1/8 STD - LP - DN 3/4" | 20 mm

Inlet pressure: from 0.69 MPa [100 psig] to 6.94 MPa [1000 psig]

Outlet pressure: from 0.06 MPa [10 psig] to 0.86 MPa [125 psig]

**FT 518 - 1/8 STD - LP** recommended max flow rate for optimal performance

Inlet pressure		Outlet pressure									
		0.06 Mpa / 10 psig		0.13 Mpa / 20 psig		0.2 Mpa / 30 psig		0.41 Mpa / 60 psig		0.86 Mpa / 125 psig	
MPa	psig	Stm <sup>3</sup> /h	Scfh	Stm <sup>3</sup> /h	Scfh	Stm <sup>3</sup> /h	Scfh	Stm <sup>3</sup> /h	Scfh	Stm <sup>3</sup> /h	Scfh
0.69	100	50	1800	42	1500	48	1700	47	1700	-	-
1.04	150	69	2500	69	2500	70	2500	69	2500	60	2200
1.39	200	90	3200	90	3200	95	3400	90	3200	89	3200
2.08	300	130	4600	130	4600	135	4800	125	4500	125	4500
3.47	500	220	7800	220	7800	225	8000	215	7600	210	7500
5.21	750	330	11700	330	11700	340	12000	320	11300	320	11300
6.94	1000	380	13500	410	14500	440	15600	380	13500	420	14900

Cg = 16 K1= 120

**FT 518 - 1/8 STD - LP** flow rate with wide open regulator (100% capacity)

Inlet pressure		Outlet pressure									
		0.06 Mpa / 10 psig		0.13 Mpa / 20 psig		0.2 Mpa / 30 psig		0.41 Mpa / 60 psig		0.86 Mpa / 125 psig	
MPa	psig	Stm <sup>3</sup> /h	Scfh	Stm <sup>3</sup> /h	Scfh	Stm <sup>3</sup> /h	Scfh	Stm <sup>3</sup> /h	Scfh	Stm <sup>3</sup> /h	Scfh
0.69	100	65	2300	65	2300	65	2300	61	2200	-	-
1.04	150	93	3300	93	3300	93	3300	93	3300	68	2400
1.39	200	121	4300	121	4300	121	4300	121	4300	114	4100
2.08	300	177	6300	177	6300	177	6300	177	6300	177	6300
3.47	500	290	10300	290	10300	290	10300	290	10300	290	10300
5.21	750	431	15300	431	15300	431	15300	431	15300	431	15300
6.94	1000	572	20200	572	20200	572	20200	572	20200	572	20200

Cg = 16 K1= 120

**Note:** Recommended max flow rate are considering multiple factors such as: extend the regulator's life, mitigate the erosion/vibrations for high velocity and to minimize the noise emission.

**Remark:** all capacity stated are considering a stand alone regulator. In case of incorporated accessories a reduction of flow shall be considered.



## FT 518 - 3/16 STD - LP - DN 3/4" | 20 mm

Inlet pressure: from 0.69 MPa [100 psig] to 6.94 MPa [1000 psig]

Outlet pressure: from 0.06 MPa [10 psig] to 0.86 MPa [125 psig]

**FT 518 - 3/16 STD - LP** recommended max flow rate for optimal performance

Inlet pressure		Outlet pressure									
		0.06 Mpa / 10 psig		0.13 Mpa / 20 psig		0.2 Mpa / 30 psig		0.41 Mpa / 60 psig		0.86 Mpa / 125 psig	
MPa	psig	Stm <sup>3</sup> /h	Scfh	Stm <sup>3</sup> /h	Scfh	Stm <sup>3</sup> /h	Scfh	Stm <sup>3</sup> /h	Scfh	Stm <sup>3</sup> /h	Scfh
0.69	100	120	4300	105	3800	108	3900	100	3600	-	-
1.04	150	150	5300	150	5300	160	5700	150	5300	140	5000
1.39	200	190	6800	200	7100	210	7500	200	7100	200	7100
2.08	300	250	8900	280	9900	300	10600	290	10300	290	10300
3.47	500	275	9800	350	12400	510	18100	480	17000	480	17000
5.21	750	300	10600	420	14900	540	19100	700	24800	720	25500
6.94	1000	-	-	500	17700	550	19500	840	29700	930	32900

Cg = 34 K1= 120

**FT 518 - 3/16 STD - LP** flow rate with wide open regulator (100% capacity)

Inlet pressure		Outlet pressure									
		0.06 Mpa / 10 psig		0.13 Mpa / 20 psig		0.2 Mpa / 30 psig		0.41 Mpa / 60 psig		0.86 Mpa / 125 psig	
MPa	psig	Stm <sup>3</sup> /h	Scfh	Stm <sup>3</sup> /h	Scfh	Stm <sup>3</sup> /h	Scfh	Stm <sup>3</sup> /h	Scfh	Stm <sup>3</sup> /h	Scfh
0.69	100	137	4900	137	4900	137	4900	130	4600	-	-
1.04	150	197	7000	197	7000	197	7000	197	7000	144	5100
1.39	200	257	9100	257	9100	257	9100	257	9100	243	8600
2.08	300	377	13400	377	13400	377	13400	377	13400	377	13400
3.47	500	616	21800	616	21800	616	21800	616	21800	616	21800
5.21	750	916	32400	916	32400	916	32400	916	32400	916	32400
6.94	1000	-	-	1215	42900	1215	42900	1215	42900	1215	42900

Cg = 34 K1= 120

**Note:** Recommended max flow rate are considering multiple factors such as: extend the regulator's life, mitigate the erosion/vibrations for high velocity and to minimize the noise emission.

**Remark:** all capacity stated are considering a stand alone regulator. In case of incorporated accessories a reduction of flow shall be considered.

## FT 518 - 1/4 STD - LP - DN 3/4" | 20 mm

Inlet pressure: from 0.69 MPa [100 psig] to 6.94 MPa [1000 psig]

Outlet pressure: from 0.06 MPa [10 psig] to 0.86 MPa [125 psig]

**FT 518 - 1/4 STD - LP** recommended max flow rate for optimal performance

Inlet pressure		Outlet pressure									
		0.06 Mpa / 10 psig		0.13 Mpa / 20 psig		0.2 Mpa / 30 psig		0.41 Mpa / 60 psig		0.86 Mpa / 125 psig	
MPa	psig	Stm <sup>3</sup> /h	Scfh	Stm <sup>3</sup> /h	Scfh	Stm <sup>3</sup> /h	Scfh	Stm <sup>3</sup> /h	Scfh	Stm <sup>3</sup> /h	Scfh
0.69	100	180	6400	190	6800	175	6200	185	6600	-	-
1.04	150	200	7100	280	9900	290	10300	280	9900	230	8200
1.39	200	210	7500	330	11700	360	12800	360	12800	350	12400
2.08	300	260	9200	350	12400	500	17700	540	19100	520	18400
3.47	500	280	9900	410	14500	750	26500	780	27600	850	30100
5.21	750	-	-	440	15600	800	28300	830	29400	1330	47000
6.94	1000	-	-	550	19500	850	30100	860	30400	1400	49500

Cg = 58 K1= 120

**FT 518 - 1/4 STD - LP** flow rate with wide open regulator (100% capacity)

Inlet pressure		Outlet pressure									
		0.06 Mpa / 10 psig		0.13 Mpa / 20 psig		0.2 Mpa / 30 psig		0.41 Mpa / 60 psig		0.86 Mpa / 125 psig	
MPa	psig	Stm <sup>3</sup> /h	Scfh	Stm <sup>3</sup> /h	Scfh	Stm <sup>3</sup> /h	Scfh	Stm <sup>3</sup> /h	Scfh	Stm <sup>3</sup> /h	Scfh
0.69	100	234	8300	234	8300	234	8300	221	7900	-	-
1.04	150	336	11900	336	11900	336	11900	336	11900	245	8700
1.39	200	438	15500	438	15500	438	15500	438	15500	414	14700
2.08	300	643	22700	643	22700	643	22700	643	22700	643	22700
3.47	500	967	34200	1051	37200	1051	37200	1051	37200	1051	37200
5.21	750	-	-	1365	48300	1562	55200	1562	55200	1562	55200
6.94	1000	-	-	1365	48300	1764	62400	2072	73200	2072	73200

Cg = 58 K1= 120

**Note:** Recommended max flow rate are considering multiple factors such as: extend the regulator's life, mitigate the erosion/vibrations for high velocity and to minimize the noise emission.

**Remark:** all capacity stated are considering a stand alone regulator. In case of incorporated accessories a reduction of flow shall be considered.



## FT 518 - 3/8 STD - LP - DN 3/4" | 20 mm

Inlet pressure: from 0.69 MPa [100 psig] to 6.94 MPa [1000 psig]

Outlet pressure: from 0.06 MPa [10 psig] to 0.86 MPa [125 psig]

**FT 518 - 3/8 STD - LP** recommended max flow rate for optimal performance

Inlet pressure		Outlet pressure									
		0.06 Mpa / 10 psig		0.13 Mpa / 20 psig		0.2 Mpa / 30 psig		0.41 Mpa / 60 psig		0.86 Mpa / 125 psig	
MPa	psig	Stm <sup>3</sup> /h	Scfh	Stm <sup>3</sup> /h	Scfh	Stm <sup>3</sup> /h	Scfh	Stm <sup>3</sup> /h	Scfh	Stm <sup>3</sup> /h	Scfh
0.69	100	210	7500	340	12100	350	12400	330	11700	-	-
1.04	150	220	7800	390	13800	410	14500	500	17700	440	15600
1.39	200	300	10600	410	14500	440	15600	700	24800	600	21200
2.08	300	-	-	460	16300	800	28300	750	26500	900	31800
3.47	500	-	-	700	24800	900	31800	800	28300	1200	42400
5.21	750	-	-	-	-	1000	35400	1000	35400	1400	49500
6.94	1000	-	-	-	-	-	-	1100	38900	1500	53000

Cg = 115 K1= 120

**FT 518 - 3/8 STD - LP** flow rate with wide open regulator (100% capacity)

Inlet pressure		Outlet pressure									
		0.06 Mpa / 10 psig		0.13 Mpa / 20 psig		0.2 Mpa / 30 psig		0.41 Mpa / 60 psig		0.86 Mpa / 125 psig	
MPa	psig	Stm <sup>3</sup> /h	Scfh	Stm <sup>3</sup> /h	Scfh	Stm <sup>3</sup> /h	Scfh	Stm <sup>3</sup> /h	Scfh	Stm <sup>3</sup> /h	Scfh
0.69	100	464	16400	464	16400	464	16400	439	15500	-	-
1.04	150	667	23600	667	23600	667	23600	667	23600	486	17200
1.39	200	869	30700	869	30700	869	30700	869	30700	821	29100
2.08	300	-	-	1274	45000	1274	45000	1274	45000	1274	45000
3.47	500	-	-	1365	48300	1764	62400	2084	73600	2084	73600
5.21	750	-	-	-	-	1764	62400	2969	104900	3097	109400
6.94	1000	-	-	-	-	-	-	2969	104900	4109	145100

Cg = 115 K1= 120

**Note:** Recommended max flow rate are considering multiple factors such as: extend the regulator's life, mitigate the erosion/vibrations for high velocity and to minimize the noise emission.

**Remark:** all capacity stated are considering a stand alone regulator. In case of incorporated accessories a reduction of flow shall be considered.

## FT 518 - 1/2 STD - LP - DN 3/4" | 20 mm

Inlet pressure: from 0.69 MPa [100 psig] to 6.94 MPa [1000 psig]

Outlet pressure: from 0.06 MPa [10 psig] to 0.86 MPa [125 psig]

**FT 518 - 1/2 STD - LP** recommended max flow rate for optimal performance

Inlet pressure		Outlet pressure									
		0.06 Mpa / 10 psig		0.13 Mpa / 20 psig		0.2 Mpa / 30 psig		0.41 Mpa / 60 psig		0.86 Mpa / 125 psig	
MPa	psig	Stm <sup>3</sup> /h	Scfh	Stm <sup>3</sup> /h	Scfh	Stm <sup>3</sup> /h	Scfh	Stm <sup>3</sup> /h	Scfh	Stm <sup>3</sup> /h	Scfh
0.69	100	260	9200	550	19500	550	19500	500	17700	-	-
1.04	150	280	9900	680	24100	700	24800	650	23000	520	18400
1.39	200	-	-	750	26500	750	26500	750	26500	680	24100
2.08	300	-	-	800	28300	850	30100	850	30100	1000	35400
3.47	500	-	-	-	-	1000	35400	1000	35400	1450	51200
5.21	750	-	-	-	-	-	-	1300	46000	1900	67100
6.94	1000	-	-	-	-	-	-	-	-	2000	70700

Cg = 180 K1= 120

**FT 518 - 1/2 STD - LP** flow rate with wide open regulator (100% capacity)

Inlet pressure		Outlet pressure									
		0.06 Mpa / 10 psig		0.13 Mpa / 20 psig		0.2 Mpa / 30 psig		0.41 Mpa / 60 psig		0.86 Mpa / 125 psig	
MPa	psig	Stm <sup>3</sup> /h	Scfh	Stm <sup>3</sup> /h	Scfh	Stm <sup>3</sup> /h	Scfh	Stm <sup>3</sup> /h	Scfh	Stm <sup>3</sup> /h	Scfh
0.69	100	726	25700	726	25700	726	25700	686	24300	-	-
1.04	150	967	34200	1043	36900	1043	36900	1043	36900	760	26900
1.39	200	-	-	1360	48100	1360	48100	1360	48100	1286	45500
2.08	300	-	-	1365	48300	1764	62400	1994	70500	1994	70500
3.47	500	-	-	-	-	1764	62400	2969	104900	3262	115200
5.21	750	-	-	-	-	-	-	2969	104900	4847	171200
6.94	1000	-	-	-	-	-	-	-	-	5614	198300

Cg = 180 K1= 120

**Note:** Recommended max flow rate are considering multiple factors such as: extend the regulator's life, mitigate the erosion/vibrations for high velocity and to minimize the noise emission.

**Remark:** all capacity stated are considering a stand alone regulator. In case of incorporated accessories a reduction of flow shall be considered.



## FT 518 - 3/32 STD - HP - DN 3/4" | 20 mm

Inlet pressure: from 1.04 MPa [150 psig] to 6.94 MPa [1000 psig]

Outlet pressure: from 0.76 MPa [110 psig] to 3.47 MPa [500 psig]

**FT 518 - 3/32 STD - HP** recommended max flow rate for optimal performance

Inlet pressure		Outlet pressure									
		0.75 Mpa / 110 psig		1.03 Mpa / 150 psig		1.37 Mpa / 200 psig		2.06 Mpa / 300 psig		3.44 Mpa / 500 psig	
MPa	psig	Stm <sup>3</sup> /h	Scfh	Stm <sup>3</sup> /h	Scfh	Stm <sup>3</sup> /h	Scfh	Stm <sup>3</sup> /h	Scfh	Stm <sup>3</sup> /h	Scfh
1.04	150	36	1300	-	-	-	-	-	-	-	-
1.39	200	48	1700	41	1500	-	-	-	-	-	-
2.08	300	70	2500	75	2700	75	2700	-	-	-	-
2.78	400	105	3800	95	3400	100	3600	95	3400	-	-
3.47	500	110	3900	115	4100	108	3900	120	4300	-	-
5.21	750	165	5900	175	6200	170	6100	185	6600	185	6600
6.94	1000	212	7500	215	7600	230	8200	250	8900	252	8900

Cg = 9 K1= 120

**FT 518 - 3/32 STD - HP** flow rate with wide open regulator (100% capacity)

Inlet pressure		Outlet pressure									
		0.75 Mpa / 110 psig		1.03 Mpa / 150 psig		1.37 Mpa / 200 psig		2.06 Mpa / 300 psig		3.44 Mpa / 500 psig	
MPa	psig	Stm <sup>3</sup> /h	Scfh	Stm <sup>3</sup> /h	Scfh	Stm <sup>3</sup> /h	Scfh	Stm <sup>3</sup> /h	Scfh	Stm <sup>3</sup> /h	Scfh
1.04	150	45	1600	-	-	-	-	-	-	-	-
1.39	200	66	2400	58	2100	-	-	-	-	-	-
2.08	300	100	3600	99	3500	92	3300	-	-	-	-
2.78	400	131	4700	131	4700	131	4700	113	4000	-	-
3.47	500	163	5800	163	5800	163	5800	157	5600	-	-
5.21	750	242	8600	242	8600	242	8600	242	8600	226	8000
6.94	1000	322	11400	322	11400	322	11400	322	11400	320	11300

Cg = 9 K1= 120

**Note:** Recommended max flow rate are considering multiple factors such as: extend the regulator's life, mitigate the erosion/vibrations for high velocity and to minimize the noise emission.

**Remark:** all capacity stated are considering a stand alone regulator. In case of incorporated accessories a reduction of flow shall be considered.



## FT 518 - 1/8 STD - HP - DN 3/4" | 20 mm

Inlet pressure: from 1.04 MPa [150 psig] to 6.94 MPa [1000 psig]

Outlet pressure: from 0.76 MPa [110 psig] to 3.47 MPa [500 psig]

**FT 518 - 1/8 STD - HP** recommended max flow rate for optimal performance

Inlet pressure		Outlet pressure									
		0.75 Mpa / 110 psig		1.03 Mpa / 150 psig		1.37 Mpa / 200 psig		2.06 Mpa / 300 psig		3.44 Mpa / 500 psig	
MPa	psig	Stm <sup>3</sup> /h	Scfh	Stm <sup>3</sup> /h	Scfh	Stm <sup>3</sup> /h	Scfh	Stm <sup>3</sup> /h	Scfh	Stm <sup>3</sup> /h	Scfh
1.04	150	56	2000	-	-	-	-	-	-	-	-
1.39	200	85	3100	87	3100	-	-	-	-	-	-
2.08	300	110	3900	130	4600	130	4600	-	-	-	-
2.78	400	153	5500	154	5500	170	6100	170	6100	-	-
3.47	500	190	6800	210	7500	210	7500	210	7500	-	-
5.21	750	270	9600	320	11300	320	11300	320	11300	336	11900
6.94	1000	345	12200	410	14500	430	15200	455	16100	455	16100

Cg = 16 K1= 120

**FT 518 - 1/8 STD - HP** flow rate with wide open regulator (100% capacity)

Inlet pressure		Outlet pressure									
		0.75 Mpa / 110 psig		1.03 Mpa / 150 psig		1.37 Mpa / 200 psig		2.06 Mpa / 300 psig		3.44 Mpa / 500 psig	
MPa	psig	Stm <sup>3</sup> /h	Scfh	Stm <sup>3</sup> /h	Scfh	Stm <sup>3</sup> /h	Scfh	Stm <sup>3</sup> /h	Scfh	Stm <sup>3</sup> /h	Scfh
1.04	150	80	2900	-	-	-	-	-	-	-	-
1.39	200	118	4200	102	3700	-	-	-	-	-	-
2.08	300	177	6300	176	6300	164	5800	-	-	-	-
2.78	400	234	8300	234	8300	232	8200	200	7100	-	-
3.47	500	290	10300	290	10300	290	10300	280	9900	-	-
5.21	750	431	15300	431	15300	431	15300	431	15300	401	14200
6.94	1000	572	20200	572	20200	572	20200	572	20200	569	20100

Cg = 16 K1= 120

**Note:** Recommended max flow rate are considering multiple factors such as: extend the regulator's life, mitigate the erosion/vibrations for high velocity and to minimize the noise emission.

**Remark:** all capacity stated are considering a stand alone regulator. In case of incorporated accessories a reduction of flow shall be considered.



## FT 518 - 3/16 STD - HP - DN 3/4" | 20 mm

Inlet pressure: from 1.04 MPa [150 psig] to 6.94 MPa [1000 psig]

Outlet pressure: from 0.76 MPa [110 psig] to 3.47 MPa [500 psig]

**FT 518 - 3/16 STD - HP** recommended max flow rate for optimal performance

Inlet pressure		Outlet pressure									
		0.75 Mpa / 110 psig		1.03 Mpa / 150 psig		1.37 Mpa / 200 psig		2.06 Mpa / 300 psig		3.44 Mpa / 500 psig	
MPa	psig	Stm <sup>3</sup> /h	Scfh	Stm <sup>3</sup> /h	Scfh	Stm <sup>3</sup> /h	Scfh	Stm <sup>3</sup> /h	Scfh	Stm <sup>3</sup> /h	Scfh
1.04	150	135	4800	-	-	-	-	-	-	-	-
1.39	200	190	6800	175	6200	-	-	-	-	-	-
2.08	300	265	9400	300	10600	300	10600	-	-	-	-
2.78	400	400	14200	400	14200	400	14200	380	13500	-	-
3.47	500	460	16300	490	17400	490	17400	485	17200	-	-
5.21	750	500	17700	730	25800	710	25100	750	26500	762	26900
6.94	1000	620	21900	1000	35400	960	33900	1000	35400	970	34300

Cg = 34 K1= 120

**FT 518 - 3/16 STD - HP** flow rate with wide open regulator (100% capacity)

Inlet pressure		Outlet pressure									
		0.75 Mpa / 110 psig		1.03 Mpa / 150 psig		1.37 Mpa / 200 psig		2.06 Mpa / 300 psig		3.44 Mpa / 500 psig	
MPa	psig	Stm <sup>3</sup> /h	Scfh	Stm <sup>3</sup> /h	Scfh	Stm <sup>3</sup> /h	Scfh	Stm <sup>3</sup> /h	Scfh	Stm <sup>3</sup> /h	Scfh
1.04	150	169	6000	-	-	-	-	-	-	-	-
1.39	200	251	8900	218	7700	-	-	-	-	-	-
2.08	300	377	13400	374	13200	348	12400	-	-	-	-
2.78	400	496	17600	496	17600	493	17500	425	15100	-	-
3.47	500	616	21800	616	21800	616	21800	595	21000	-	-
5.21	750	916	32400	916	32400	916	32400	916	32400	853	30200
6.94	1000	1215	42900	1215	42900	1215	42900	1215	42900	1209	42700

Cg = 34 K1= 120

**Note:** Recommended max flow rate are considering multiple factors such as: extend the regulator's life, mitigate the erosion/vibrations for high velocity and to minimize the noise emission.

**Remark:** all capacity stated are considering a stand alone regulator. In case of incorporated accessories a reduction of flow shall be considered.

## FT 518 - 1/4 STD - HP - DN 3/4" | 20 mm

Inlet pressure: from 1.04 MPa [150 psig] to 6.94 MPa [1000 psig]

Outlet pressure: from 0.76 MPa [110 psig] to 3.47 MPa [500 psig]

**FT 518 - 1/4 STD - HP** recommended max flow rate for optimal performance

Inlet pressure		Outlet pressure									
		0.75 Mpa / 110 psig		1.03 Mpa / 150 psig		1.37 Mpa / 200 psig		2.06 Mpa / 300 psig		3.44 Mpa / 500 psig	
MPa	psig	Stm <sup>3</sup> /h	Scfh	Stm <sup>3</sup> /h	Scfh	Stm <sup>3</sup> /h	Scfh	Stm <sup>3</sup> /h	Scfh	Stm <sup>3</sup> /h	Scfh
1.04	150	175	6200	-	-	-	-	-	-	-	-
1.39	200	310	11000	310	11000	-	-	-	-	-	-
2.08	300	450	15900	520	18400	520	18400	-	-	-	-
2.78	400	620	21900	690	24400	680	24100	630	22300	-	-
3.47	500	650	23000	790	27900	850	30100	850	30100	-	-
5.21	750	800	28300	1150	40700	1300	46000	1380	48800	1372	48500
6.94	1000	1050	37100	1550	54800	1780	62900	1800	63600	1780	62900

Cg = 58 K1= 120

**FT 518 - 1/4 STD - HP** flow rate with wide open regulator (100% capacity)

Inlet pressure		Outlet pressure									
		0.75 Mpa / 110 psig		1.03 Mpa / 150 psig		1.37 Mpa / 200 psig		2.06 Mpa / 300 psig		3.44 Mpa / 500 psig	
MPa	psig	Stm <sup>3</sup> /h	Scfh	Stm <sup>3</sup> /h	Scfh	Stm <sup>3</sup> /h	Scfh	Stm <sup>3</sup> /h	Scfh	Stm <sup>3</sup> /h	Scfh
1.04	150	289	10200	-	-	-	-	-	-	-	-
1.39	200	428	15200	371	13200	-	-	-	-	-	-
2.08	300	643	22700	638	22600	594	21000	-	-	-	-
2.78	400	847	30000	847	30000	841	29800	725	25700	-	-
3.47	500	1051	37200	1051	37200	1051	37200	1014	35900	-	-
5.21	750	1562	55200	1562	55200	1562	55200	1562	55200	1454	51400
6.94	1000	2072	73200	2072	73200	2072	73200	2072	73200	2062	72900

Cg = 58 K1= 120

**Note:** Recommended max flow rate are considering multiple factors such as: extend the regulator's life, mitigate the erosion/vibrations for high velocity and to minimize the noise emission.

**Remark:** all capacity stated are considering a stand alone regulator. In case of incorporated accessories a reduction of flow shall be considered.



## FT 518 - 3/8 STD - HP - DN 3/4" | 20 mm

Inlet pressure: from 1.04 MPa [150 psig] to 6.94 MPa [1000 psig]

Outlet pressure: from 0.76 MPa [110 psig] to 3.47 MPa [500 psig]

**FT 518 - 3/8 STD - HP** recommended max flow rate for optimal performance

Inlet pressure		Outlet pressure									
		0.75 Mpa / 110 psig		1.03 Mpa / 150 psig		1.37 Mpa / 200 psig		2.06 Mpa / 300 psig		3.44 Mpa / 500 psig	
MPa	psig	Stm <sup>3</sup> /h	Scfh	Stm <sup>3</sup> /h	Scfh	Stm <sup>3</sup> /h	Scfh	Stm <sup>3</sup> /h	Scfh	Stm <sup>3</sup> /h	Scfh
1.04	150	450	15900	-	-	-	-	-	-	-	-
1.39	200	500	17700	550	19500	-	-	-	-	-	-
2.08	300	600	21200	830	29400	1008	35600	-	-	-	-
2.78	400	750	26500	1050	37100	1456	51500	1100	38900	-	-
3.47	500	900	31800	1500	53000	1740	61500	1400	49500	-	-
5.21	750	1100	38900	1600	56500	1900	67100	2400	84800	2400	84800
6.94	1000	1400	49500	1700	60100	2000	70700	2500	88300	3500	123600

Cg = 115 K1= 120

**FT 518 - 3/8 STD - HP** flow rate with wide open regulator (100% capacity)

Inlet pressure		Outlet pressure									
		0.75 Mpa / 110 psig		1.03 Mpa / 150 psig		1.37 Mpa / 200 psig		2.06 Mpa / 300 psig		3.44 Mpa / 500 psig	
MPa	psig	Stm <sup>3</sup> /h	Scfh	Stm <sup>3</sup> /h	Scfh	Stm <sup>3</sup> /h	Scfh	Stm <sup>3</sup> /h	Scfh	Stm <sup>3</sup> /h	Scfh
1.04	150	572	20300	-	-	-	-	-	-	-	-
1.39	200	849	30000	736	26100	-	-	-	-	-	-
2.08	300	1274	45000	1264	44700	1178	41700	-	-	-	-
2.78	400	1679	59300	1679	59300	1668	58900	1438	50800	-	-
3.47	500	2084	73600	2084	73600	2084	73600	2011	71100	-	-
5.21	750	3097	109400	3097	109400	3097	109400	3097	109400	2884	101900
6.94	1000	4109	145100	4109	145100	4109	145100	4109	145100	4088	144400

Cg = 115 K1= 120

**Note:** Recommended max flow rate are considering multiple factors such as: extend the regulator's life, mitigate the erosion/vibrations for high velocity and to minimize the noise emission.

**Remark:** all capacity stated are considering a stand alone regulator. In case of incorporated accessories a reduction of flow shall be considered.

## FT 518 - 1/2 STD - HP - DN 3/4" | 20 mm

Inlet pressure: from 1.04 MPa [150 psig] to 6.94 MPa [1000 psig]

Outlet pressure: from 0.76 MPa [110 psig] to 3.47 MPa [500 psig]

**FT 518 - 1/2 STD - HP** recommended max flow rate for optimal performance

Inlet pressure		Outlet pressure									
		0.75 Mpa / 110 psig		1.03 Mpa / 150 psig		1.37 Mpa / 200 psig		2.06 Mpa / 300 psig		3.44 Mpa / 500 psig	
MPa	psig	Stm <sup>3</sup> /h	Scfh	Stm <sup>3</sup> /h	Scfh	Stm <sup>3</sup> /h	Scfh	Stm <sup>3</sup> /h	Scfh	Stm <sup>3</sup> /h	Scfh
1.04	150	415	14700	-	-	-	-	-	-	-	-
1.39	200	570	20200	600	21200	-	-	-	-	-	-
2.08	300	800	28300	1050	37100	1000	35400	-	-	-	-
2.78	400	1150	40700	1300	46000	1500	53000	1400	49434	-	-
3.47	500	1300	46000	1600	56500	2050	72400	2320	81919	-	-
5.21	750	-	-	-	-	-	-	2500	88275	3600	127200
6.94	1000	-	-	-	-	-	-	2800	98868	3800	134200

Cg = 180 K1= 120

**FT 518 - 1/2 STD - HP** flow rate with wide open regulator (100% capacity)

Inlet pressure		Outlet pressure									
		0.75 Mpa / 110 psig		1.03 Mpa / 150 psig		1.37 Mpa / 200 psig		2.06 Mpa / 300 psig		3.44 Mpa / 500 psig	
MPa	psig	Stm <sup>3</sup> /h	Scfh	Stm <sup>3</sup> /h	Scfh	Stm <sup>3</sup> /h	Scfh	Stm <sup>3</sup> /h	Scfh	Stm <sup>3</sup> /h	Scfh
1.04	150	896	31700	-	-	-	-	-	-	-	-
1.39	200	1329	47000	1153	40800	-	-	-	-	-	-
2.08	300	1994	70500	1979	69900	1845	65200	-	-	-	-
2.78	400	2628	92900	2628	92900	2611	92200	2251	79500	-	-
3.47	500	3262	115200	3262	115200	3262	115200	3148	111200	-	-
5.21	750	-	-	-	-	-	-	4847	171200	4513	159400
6.94	1000	-	-	-	-	-	-	6432	227200	6399	226000

Cg = 180 K1= 120

**Note:** Recommended max flow rate are considering multiple factors such as: extend the regulator's life, mitigate the erosion/vibrations for high velocity and to minimize the noise emission.

**Remark:** all capacity stated are considering a stand alone regulator. In case of incorporated accessories a reduction of flow shall be considered.



## FT 518 - 3/32 - PM518 LP - DN 3/4" | 20 mm

Inlet pressure: from 0.69 MPa [100 psig] to 6.94 MPa [1000 psig]

Outlet pressure: from 0.06 MPa [10 psig] to 0.86 MPa [125 psig]

**FT 518 - 3/32 - PM518 LP** recommended max flow rate for optimal performance

Inlet pressure		Outlet pressure									
		0.06 Mpa / 10 psig		0.13 Mpa / 20 psig		0.2 Mpa / 30 psig		0.41 Mpa / 60 psig		0.86 Mpa / 125 psig	
MPa	psig	Stm <sup>3</sup> /h	Scfh	Stm <sup>3</sup> /h	Scfh	Stm <sup>3</sup> /h	Scfh	Stm <sup>3</sup> /h	Scfh	Stm <sup>3</sup> /h	Scfh
0.69	100	27	1000	27	1000	28	1000	28	1000	-	-
1.04	150	36	1300	37	1400	36	1300	37	1400	34	1200
1.39	200	46	1700	47	1700	45	1600	48	1700	48	1700
2.08	300	72	2600	74	2700	70	2500	70	2500	70	2500
3.47	500	-	-	110	3900	115	4100	110	3900	110	3900
5.21	750	-	-	165	5900	170	6100	170	6100	170	6100
6.94	1000	-	-	-	-	-	-	235	8300	230	8200

Cg = 9 K1= 120

**FT 518 - 3/32 - PM518 LP** flow rate with wide open regulator (100% capacity)

Inlet pressure		Outlet pressure									
		0.06 Mpa / 10 psig		0.13 Mpa / 20 psig		0.2 Mpa / 30 psig		0.41 Mpa / 60 psig		0.86 Mpa / 125 psig	
MPa	psig	Stm <sup>3</sup> /h	Scfh	Stm <sup>3</sup> /h	Scfh	Stm <sup>3</sup> /h	Scfh	Stm <sup>3</sup> /h	Scfh	Stm <sup>3</sup> /h	Scfh
0.69	100	36	1300	36	1300	36	1300	34	1300	-	-
1.04	150	52	1900	52	1900	52	1900	52	1900	38	1400
1.39	200	68	2500	68	2500	68	2500	68	2500	64	2300
2.08	300	100	3600	100	3600	100	3600	100	3600	100	3600
3.47	500	-	-	163	5800	163	5800	163	5800	163	5800
5.21	750	-	-	242	8600	242	8600	242	8600	242	8600
6.94	1000	-	-	-	-	-	-	322	11400	322	11400

Cg = 9 K1= 120

**Note:** Recommended max flow rate are considering multiple factors such as: extend the regulator's life, mitigate the erosion/vibrations for high velocity and to minimize the noise emission.

**Remark:** all capacity stated are considering a stand alone regulator. In case of incorporated accessories a reduction of flow shall be considered.

## FT 518 - 1/8 - PM518 LP - DN 3/4" | 20 mm

Inlet pressure: from 0.69 MPa [100 psig] to 6.94 MPa [1000 psig]

Outlet pressure: from 0.06 MPa [10 psig] to 0.86 MPa [125 psig]

### FT 518 - 1/8 - PM518 LP recommended max flow rate for optimal performance

Inlet pressure		Outlet pressure									
		0.06 Mpa / 10 psig		0.13 Mpa / 20 psig		0.2 Mpa / 30 psig		0.41 Mpa / 60 psig		0.86 Mpa / 125 psig	
MPa	psig	Stm <sup>3</sup> /h	Scfh	Stm <sup>3</sup> /h	Scfh	Stm <sup>3</sup> /h	Scfh	Stm <sup>3</sup> /h	Scfh	Stm <sup>3</sup> /h	Scfh
0.69	100	48	1700	42	1500	45	1600	47	1700	-	-
1.04	150	66	2400	65	2300	67	2400	68	2500	60	2200
1.39	200	85	3100	85	3100	89	3200	88	3200	86	3100
2.08	300	120	4300	120	4300	130	4600	125	4500	120	4300
3.47	500	-	-	200	7100	220	7800	215	7600	200	7100
5.21	750	-	-	310	11000	320	11300	320	11300	290	10300
6.94	1000	-	-	-	-	-	-	370	13100	390	13800

Cg = 16 K1= 120

### FT 518 - 1/8 - PM518 LP flow rate with wide open regulator (100% capacity)

Inlet pressure		Outlet pressure									
		0.06 Mpa / 10 psig		0.13 Mpa / 20 psig		0.2 Mpa / 30 psig		0.41 Mpa / 60 psig		0.86 Mpa / 125 psig	
MPa	psig	Stm <sup>3</sup> /h	Scfh	Stm <sup>3</sup> /h	Scfh	Stm <sup>3</sup> /h	Scfh	Stm <sup>3</sup> /h	Scfh	Stm <sup>3</sup> /h	Scfh
0.69	100	65	2300	65	2300	65	2300	61	2200	-	-
1.04	150	93	3300	93	3300	93	3300	93	3300	68	2400
1.39	200	121	4300	121	4300	121	4300	121	4300	114	4100
2.08	300	177	6300	177	6300	177	6300	177	6300	177	6300
3.47	500	-	-	290	10300	290	10300	290	10300	290	10300
5.21	750	-	-	431	15300	431	15300	431	15300	431	15300
6.94	1000	-	-	-	-	-	-	572	20200	572	20200

Cg = 16 K1= 120

**Note:** Recommended max flow rate are considering multiple factors such as: extend the regulator's life, mitigate the erosion/vibrations for high velocity and to minimize the noise emission.

**Remark:** all capacity stated are considering a stand alone regulator. In case of incorporated accessories a reduction of flow shall be considered.



## FT 518 - 3/16 - PM518 LP - DN 3/4" | 20 mm

Inlet pressure: from 0.69 MPa [100 psig] to 6.94 MPa [1000 psig]

Outlet pressure: from 0.06 MPa [10 psig] to 0.86 MPa [125 psig]

**FT 518 - 3/16 - PM518 LP** recommended max flow rate for optimal performance

Inlet pressure		Outlet pressure									
		0.06 Mpa / 10 psig		0.13 Mpa / 20 psig		0.2 Mpa / 30 psig		0.41 Mpa / 60 psig		0.86 Mpa / 125 psig	
MPa	psig	Stm <sup>3</sup> /h	Scfh	Stm <sup>3</sup> /h	Scfh	Stm <sup>3</sup> /h	Scfh	Stm <sup>3</sup> /h	Scfh	Stm <sup>3</sup> /h	Scfh
0.69	100	100	3600	105	3800	100	3600	90	3200	-	-
1.04	150	130	4600	145	5200	155	5500	145	5200	130	4600
1.39	200	175	6200	190	6800	210	7500	190	6800	190	6800
2.08	300	240	8500	270	9600	280	9900	260	9200	275	9800
3.47	500	-	-	330	11700	470	16600	470	16600	470	16600
5.21	750	-	-	385	13600	520	18400	650	23000	680	24100
6.94	1000	-	-	-	-	-	-	752	26600	860	30400

Cg = 34 K1= 120

**FT 518 - 3/16 - PM518 LP** flow rate with wide open regulator (100% capacity)

Inlet pressure		Outlet pressure									
		0.06 Mpa / 10 psig		0.13 Mpa / 20 psig		0.2 Mpa / 30 psig		0.41 Mpa / 60 psig		0.86 Mpa / 125 psig	
MPa	psig	Stm <sup>3</sup> /h	Scfh	Stm <sup>3</sup> /h	Scfh	Stm <sup>3</sup> /h	Scfh	Stm <sup>3</sup> /h	Scfh	Stm <sup>3</sup> /h	Scfh
0.69	100	137	4900	137	4900	137	4900	130	4600	-	-
1.04	150	197	7000	197	7000	197	7000	197	7000	144	5100
1.39	200	257	9100	257	9100	257	9100	257	9100	243	8600
2.08	300	377	13400	377	13400	377	13400	377	13400	377	13400
3.47	500	-	-	616	21800	616	21800	616	21800	616	21800
5.21	750	-	-	916	32400	916	32400	916	32400	916	32400
6.94	1000	-	-	-	-	-	-	1215	42900	1215	42900

Cg = 34 K1= 120

**Note:** Recommended max flow rate are considering multiple factors such as: extend the regulator's life, mitigate the erosion/vibrations for high velocity and to minimize the noise emission.

**Remark:** all capacity stated are considering a stand alone regulator. In case of incorporated accessories a reduction of flow shall be considered.



## FT 518 - 1/4 - PM518 LP - DN 3/4" | 20 mm

Inlet pressure: from 0.69 MPa [100 psig] to 6.94 MPa [1000 psig]

Outlet pressure: from 0.06 MPa [10 psig] to 0.86 MPa [125 psig]

**FT 518 - 1/4 - PM518 LP** recommended max flow rate for optimal performance

Inlet pressure		Outlet pressure									
		0.06 Mpa / 10 psig		0.13 Mpa / 20 psig		0.2 Mpa / 30 psig		0.41 Mpa / 60 psig		0.86 Mpa / 125 psig	
MPa	psig	Stm <sup>3</sup> /h	Scfh	Stm <sup>3</sup> /h	Scfh	Stm <sup>3</sup> /h	Scfh	Stm <sup>3</sup> /h	Scfh	Stm <sup>3</sup> /h	Scfh
0.69	100	150	5300	180	6400	170	6100	180	6400	-	-
1.04	150	185	6600	260	9200	280	9900	270	9600	200	7100
1.39	200	200	7100	320	11300	345	12200	350	12400	330	11700
2.08	300	250	8900	320	11300	470	16600	510	18100	480	17000
3.47	500	-	-	380	13500	700	24800	725	25600	800	28300
5.21	750	-	-	410	14500	790	27900	715	25300	950	33600
6.94	1000	-	-	-	-	-	-	800	28300	1000	35400

Cg = 58 K1= 120

**FT 518 - 1/4 - PM518 LP** flow rate with wide open regulator (100% capacity)

Inlet pressure		Outlet pressure									
		0.06 Mpa / 10 psig		0.13 Mpa / 20 psig		0.2 Mpa / 30 psig		0.41 Mpa / 60 psig		0.86 Mpa / 125 psig	
MPa	psig	Stm <sup>3</sup> /h	Scfh	Stm <sup>3</sup> /h	Scfh	Stm <sup>3</sup> /h	Scfh	Stm <sup>3</sup> /h	Scfh	Stm <sup>3</sup> /h	Scfh
0.69	100	234	8300	234	8300	234	8300	221	7900	-	-
1.04	150	336	11900	336	11900	336	11900	336	11900	245	8700
1.39	200	438	15500	438	15500	438	15500	438	15500	414	14700
2.08	300	643	22700	643	22700	643	22700	643	22700	643	22700
3.47	500	-	-	1051	37200	1051	37200	1051	37200	1051	37200
5.21	750	-	-	1365	48300	1562	55200	1562	55200	1562	55200
6.94	1000	-	-	-	-	-	-	2072	73200	2072	73200

Cg = 58 K1= 120

**Note:** Recommended max flow rate are considering multiple factors such as: extend the regulator's life, mitigate the erosion/vibrations for high velocity and to minimize the noise emission.

**Remark:** all capacity stated are considering a stand alone regulator. In case of incorporated accessories a reduction of flow shall be considered.



## FT 518 - 3/8 - PM518 LP - DN 3/4" | 20 mm

Inlet pressure: from 0.69 MPa [100 psig] to 6.94 MPa [1000 psig]

Outlet pressure: from 0.06 MPa [10 psig] to 0.86 MPa [125 psig]

**FT 518 - 3/8 - PM518 LP** recommended max flow rate for optimal performance

Inlet pressure		Outlet pressure									
		0.06 Mpa / 10 psig		0.13 Mpa / 20 psig		0.2 Mpa / 30 psig		0.41 Mpa / 60 psig		0.86 Mpa / 125 psig	
MPa	psig	Stm <sup>3</sup> /h	Scfh	Stm <sup>3</sup> /h	Scfh	Stm <sup>3</sup> /h	Scfh	Stm <sup>3</sup> /h	Scfh	Stm <sup>3</sup> /h	Scfh
0.69	100	205	7300	250	8900	340	12100	250	8900	-	-
1.04	150	215	7600	380	13500	390	13800	450	15900	400	14200
1.39	200	300	10600	390	13800	430	15200	600	21200	500	17700
2.08	300	-	-	420	14900	720	25500	710	25100	650	23000
3.47	500	-	-	630	22300	790	27900	750	26500	900	31800
5.21	750	-	-	-	-	1000	35400	970	34300	1000	35400
6.94	1000	-	-	-	-	-	-	1000	35400	1100	38900

Cg = 115 K1 = 120

**FT 518 - 3/8 - PM518 LP** flow rate with wide open regulator (100% capacity)

Inlet pressure		Outlet pressure									
		0.06 Mpa / 10 psig		0.13 Mpa / 20 psig		0.2 Mpa / 30 psig		0.41 Mpa / 60 psig		0.86 Mpa / 125 psig	
MPa	psig	Stm <sup>3</sup> /h	Scfh	Stm <sup>3</sup> /h	Scfh	Stm <sup>3</sup> /h	Scfh	Stm <sup>3</sup> /h	Scfh	Stm <sup>3</sup> /h	Scfh
0.69	100	464	16400	464	16400	464	16400	439	15500	-	-
1.04	150	667	23600	667	23600	667	23600	667	23600	486	17200
1.39	200	869	30700	869	30700	869	30700	869	30700	821	29100
2.08	300	-	-	1274	45000	1274	45000	1274	45000	1274	45000
3.47	500	-	-	1365	48300	1764	62400	2084	73600	2084	73600
5.21	750	-	-	-	-	1764	62400	2969	104900	3097	109400
6.94	1000	-	-	-	-	-	-	2969	104900	4109	145100

Cg = 115 K1 = 120

**Note:** Recommended max flow rate are considering multiple factors such as: extend the regulator's life, mitigate the erosion/vibrations for high velocity and to minimize the noise emission.

**Remark:** all capacity stated are considering a stand alone regulator. In case of incorporated accessories a reduction of flow shall be considered.

## FT 518 - 1/2 - PM518 LP - DN 3/4" | 20 mm

Inlet pressure: from 0.69 MPa [100 psig] to 6.94 MPa [1000 psig]

Outlet pressure: from 0.06 MPa [10 psig] to 0.86 MPa [125 psig]

### FT 518 - 1/2 - PM518 LP recommended max flow rate for optimal performance

Inlet pressure		Outlet pressure									
		0.06 Mpa / 10 psig		0.13 Mpa / 20 psig		0.2 Mpa / 30 psig		0.41 Mpa / 60 psig		0.86 Mpa / 125 psig	
MPa	psig	Stm <sup>3</sup> /h	Scfh	Stm <sup>3</sup> /h	Scfh	Stm <sup>3</sup> /h	Scfh	Stm <sup>3</sup> /h	Scfh	Stm <sup>3</sup> /h	Scfh
0.69	100	260	9200	350	12400	400	14200	340	12100	-	-
1.04	150	300	10600	400	14200	500	17700	390	13800	420	14900
1.39	200	-	-	420	14900	540	19100	450	15900	587	20800
2.08	300	-	-	450	15900	750	26500	850	30100	650	23000
3.47	500	-	-	-	-	850	30100	940	33200	1000	35400
5.21	750	-	-	-	-	-	-	1150	40700	1100	38900
6.94	1000	-	-	-	-	-	-	-	-	1200	42400

Cg = 180 K1= 120

### FT 518 - 1/2 - PM518 LP flow rate with wide open regulator (100% capacity)

Inlet pressure		Outlet pressure									
		0.06 Mpa / 10 psig		0.13 Mpa / 20 psig		0.2 Mpa / 30 psig		0.41 Mpa / 60 psig		0.86 Mpa / 125 psig	
MPa	psig	Stm <sup>3</sup> /h	Scfh	Stm <sup>3</sup> /h	Scfh	Stm <sup>3</sup> /h	Scfh	Stm <sup>3</sup> /h	Scfh	Stm <sup>3</sup> /h	Scfh
0.69	100	726	25700	726	25700	726	25700	686	24300	-	-
1.04	150	967	34200	1043	36900	1043	36900	1043	36900	760	26900
1.39	200	-	-	1360	48100	1360	48100	1360	48100	1286	45500
2.08	300	-	-	1365	48300	1764	62400	1994	70500	1994	70500
3.47	500	-	-	-	-	1764	62400	2969	104900	3262	115200
5.21	750	-	-	-	-	-	-	2969	104900	4847	171200
6.94	1000	-	-	-	-	-	-	-	-	5614	198300

Cg = 180 K1= 120

**Note:** Recommended max flow rate are considering multiple factors such as: extend the regulator's life, mitigate the erosion/vibrations for high velocity and to minimize the noise emission.

**Remark:** all capacity stated are considering a stand alone regulator. In case of incorporated accessories a reduction of flow shall be considered.



## FT 518 - 3/32 - PM518 HP - DN 3/4" | 20 mm

Inlet pressure: from 1.04 MPa [150 psig] to 6.94 MPa [1000 psig]

Outlet pressure: from 0.76 MPa [110 psig] to 3.47 MPa [500 psig]

**FT 518 - 3/32 - PM518 HP** recommended max flow rate for optimal performance

Inlet pressure		Outlet pressure									
		0.75 Mpa / 110 psig		1.03 Mpa / 150 psig		1.37 Mpa / 200 psig		2.06 Mpa / 300 psig		3.44 Mpa / 500 psig	
MPa	psig	Stm <sup>3</sup> /h	Scfh	Stm <sup>3</sup> /h	Scfh	Stm <sup>3</sup> /h	Scfh	Stm <sup>3</sup> /h	Scfh	Stm <sup>3</sup> /h	Scfh
1.04	150	36	1300	-	-	-	-	-	-	-	-
1.39	200	48	1700	41	1500	-	-	-	-	-	-
2.08	300	70	2500	75	2700	75	2700	-	-	-	-
2.78	400	105	3800	95	3400	100	3600	95	3400	-	-
3.47	500	110	3900	115	4100	108	3900	120	4300	-	-
5.21	750	165	5900	175	6200	170	6100	185	6600	185	6600
6.94	1000	212	7500	215	7600	230	8200	250	8900	252	8900

Cg = 9 K1= 120

**FT 518 - 3/32 - PM518 HP** flow rate with wide open regulator (100% capacity)

Inlet pressure		Outlet pressure									
		0.75 Mpa / 110 psig		1.03 Mpa / 150 psig		1.37 Mpa / 200 psig		2.06 Mpa / 300 psig		3.44 Mpa / 500 psig	
MPa	psig	Stm <sup>3</sup> /h	Scfh	Stm <sup>3</sup> /h	Scfh	Stm <sup>3</sup> /h	Scfh	Stm <sup>3</sup> /h	Scfh	Stm <sup>3</sup> /h	Scfh
1.04	150	45	1600	-	-	-	-	-	-	-	-
1.39	200	66	2400	58	2100	-	-	-	-	-	-
2.08	300	100	3600	99	3500	92	3300	-	-	-	-
2.78	400	131	4700	131	4700	131	4700	113	4000	-	-
3.47	500	163	5800	163	5800	163	5800	157	5600	-	-
5.21	750	242	8600	242	8600	242	8600	242	8600	226	8000
6.94	1000	322	11400	322	11400	322	11400	322	11400	320	11300

Cg = 9 K1= 120

**Note:** Recommended max flow rate are considering multiple factors such as: extend the regulator's life, mitigate the erosion/vibrations for high velocity and to minimize the noise emission.

**Remark:** all capacity stated are considering a stand alone regulator. In case of incorporated accessories a reduction of flow shall be considered.

## FT 518 - 1/8 - PM518 HP - DN 3/4" | 20 mm

Inlet pressure: from 1.04 MPa [150 psig] to 6.94 MPa [1000 psig]

Outlet pressure: from 0.76 MPa [110 psig] to 3.47 MPa [500 psig]

**FT 518 - 1/8 - PM518 HP** recommended max flow rate for optimal performance

Inlet pressure		Outlet pressure									
		0.75 Mpa / 110 psig		1.03 Mpa / 150 psig		1.37 Mpa / 200 psig		2.06 Mpa / 300 psig		3.44 Mpa / 500 psig	
MPa	psig	Stm <sup>3</sup> /h	Scfh	Stm <sup>3</sup> /h	Scfh	Stm <sup>3</sup> /h	Scfh	Stm <sup>3</sup> /h	Scfh	Stm <sup>3</sup> /h	Scfh
1.04	150	56	2000	-	-	-	-	-	-	-	-
1.39	200	85	3100	87	3100	-	-	-	-	-	-
2.08	300	110	3900	130	4600	130	4600	-	-	-	-
2.78	400	153	5500	154	5500	170	6100	170	6100	-	-
3.47	500	190	6800	210	7500	210	7500	210	7500	-	-
5.21	750	270	9600	320	11300	320	11300	320	11300	336	11900
6.94	1000	345	12200	410	14500	430	15200	455	16100	455	16100

Cg = 16 K1= 120

**FT 518 - 1/8 - PM518 HP** flow rate with wide open regulator (100% capacity)

Inlet pressure		Outlet pressure									
		0.75 Mpa / 110 psig		1.03 Mpa / 150 psig		1.37 Mpa / 200 psig		2.06 Mpa / 300 psig		3.44 Mpa / 500 psig	
MPa	psig	Stm <sup>3</sup> /h	Scfh	Stm <sup>3</sup> /h	Scfh	Stm <sup>3</sup> /h	Scfh	Stm <sup>3</sup> /h	Scfh	Stm <sup>3</sup> /h	Scfh
1.04	150	80	2900	-	-	-	-	-	-	-	-
1.39	200	118	4200	102	3700	-	-	-	-	-	-
2.08	300	177	6300	176	6300	164	5800	-	-	-	-
2.78	400	234	8300	234	8300	232	8200	200	7100	-	-
3.47	500	290	10300	290	10300	290	10300	280	9900	-	-
5.21	750	431	15300	431	15300	431	15300	431	15300	401	14200
6.94	1000	572	20200	572	20200	572	20200	572	20200	569	20100

Cg = 16 K1= 120

**Note:** Recommended max flow rate are considering multiple factors such as: extend the regulator's life, mitigate the erosion/vibrations for high velocity and to minimize the noise emission.

**Remark:** all capacity stated are considering a stand alone regulator. In case of incorporated accessories a reduction of flow shall be considered.



## FT 518 - 3/16 - PM518 HP - DN 3/4" | 20 mm

Inlet pressure: from 1.04 MPa [150 psig] to 6.94 MPa [1000 psig]

Outlet pressure: from 0.76 MPa [110 psig] to 3.47 MPa [500 psig]

**FT 518 - 3/16 - PM518 HP** recommended max flow rate for optimal performance

Inlet pressure		Outlet pressure									
		0.75 Mpa / 110 psig		1.03 Mpa / 150 psig		1.37 Mpa / 200 psig		2.06 Mpa / 300 psig		3.44 Mpa / 500 psig	
MPa	psig	Stm <sup>3</sup> /h	Scfh	Stm <sup>3</sup> /h	Scfh	Stm <sup>3</sup> /h	Scfh	Stm <sup>3</sup> /h	Scfh	Stm <sup>3</sup> /h	Scfh
1.04	150	135	4800	-	-	-	-	-	-	-	-
1.39	200	190	6800	175	6200	-	-	-	-	-	-
2.08	300	265	9400	300	10600	300	10600	-	-	-	-
2.78	400	400	14200	400	14200	400	14200	380	13500	-	-
3.47	500	460	16300	490	17400	490	17400	485	17200	-	-
5.21	750	500	17700	730	25800	710	25100	750	26500	762	26900
6.94	1000	620	21900	1000	35400	960	33900	1000	35400	970	34300

Cg = 34 K1= 120

**FT 518 - 3/16 - PM518 HP** flow rate with wide open regulator (100% capacity)

Inlet pressure		Outlet pressure									
		0.75 Mpa / 110 psig		1.03 Mpa / 150 psig		1.37 Mpa / 200 psig		2.06 Mpa / 300 psig		3.44 Mpa / 500 psig	
MPa	psig	Stm <sup>3</sup> /h	Scfh	Stm <sup>3</sup> /h	Scfh	Stm <sup>3</sup> /h	Scfh	Stm <sup>3</sup> /h	Scfh	Stm <sup>3</sup> /h	Scfh
1.04	150	169	6000	-	-	-	-	-	-	-	-
1.39	200	251	8900	218	7700	-	-	-	-	-	-
2.08	300	377	13400	374	13200	348	12400	-	-	-	-
2.78	400	496	17600	496	17600	493	17500	425	15100	-	-
3.47	500	616	21800	616	21800	616	21800	595	21000	-	-
5.21	750	916	32400	916	32400	916	32400	916	32400	853	30200
6.94	1000	1215	42900	1215	42900	1215	42900	1215	42900	1209	42700

Cg = 34 K1= 120

**Note:** Recommended max flow rate are considering multiple factors such as: extend the regulator's life, mitigate the erosion/vibrations for high velocity and to minimize the noise emission.

**Remark:** all capacity stated are considering a stand alone regulator. In case of incorporated accessories a reduction of flow shall be considered.

## FT 518 - 1/4 - PM518 HP - DN 3/4" | 20 mm

Inlet pressure: from 1.04 MPa [150 psig] to 6.94 MPa [1000 psig]

Outlet pressure: from 0.76 MPa [110 psig] to 3.47 MPa [500 psig]

### FT 518 - 1/4 - PM518 HP recommended max flow rate for optimal performance

Inlet pressure		Outlet pressure									
		0.75 Mpa / 110 psig		1.03 Mpa / 150 psig		1.37 Mpa / 200 psig		2.06 Mpa / 300 psig		3.44 Mpa / 500 psig	
MPa	psig	Stm <sup>3</sup> /h	Scfh	Stm <sup>3</sup> /h	Scfh	Stm <sup>3</sup> /h	Scfh	Stm <sup>3</sup> /h	Scfh	Stm <sup>3</sup> /h	Scfh
1.04	150	175	6200	-	-	-	-	-	-	-	-
1.39	200	310	11000	310	11000	-	-	-	-	-	-
2.08	300	450	15900	520	18400	520	18400	-	-	-	-
2.78	400	620	21900	690	24400	680	24100	630	22300	-	-
3.47	500	650	23000	790	27900	850	30100	850	30100	-	-
5.21	750	800	28300	1150	40700	1300	46000	1250	44200	1200	42400
6.94	1000	1050	37100	1550	54800	1780	62900	1600	56500	1550	54800

Cg = 58 K1= 120

### FT 518 - 1/4 - PM518 HP flow rate with wide open regulator (100% capacity)

Inlet pressure		Outlet pressure									
		0.75 Mpa / 110 psig		1.03 Mpa / 150 psig		1.37 Mpa / 200 psig		2.06 Mpa / 300 psig		3.44 Mpa / 500 psig	
MPa	psig	Stm <sup>3</sup> /h	Scfh	Stm <sup>3</sup> /h	Scfh	Stm <sup>3</sup> /h	Scfh	Stm <sup>3</sup> /h	Scfh	Stm <sup>3</sup> /h	Scfh
1.04	150	289	10200	-	-	-	-	-	-	-	-
1.39	200	428	15200	371	13200	-	-	-	-	-	-
2.08	300	643	22700	638	22600	594	21000	-	-	-	-
2.78	400	847	30000	847	30000	841	29800	725	25700	-	-
3.47	500	1051	37200	1051	37200	1051	37200	1014	35900	-	-
5.21	750	1562	55200	1562	55200	1562	55200	1562	55200	1454	51400
6.94	1000	2072	73200	2072	73200	2072	73200	2072	73200	2062	72900

Cg = 58 K1= 120

**Note:** Recommended max flow rate are considering multiple factors such as: extend the regulator's life, mitigate the erosion/vibrations for high velocity and to minimize the noise emission.

**Remark:** all capacity stated are considering a stand alone regulator. In case of incorporated accessories a reduction of flow shall be considered.



## FT 518 - 3/8 - PM518 HP - DN 3/4" | 20 mm

Inlet pressure: from 1.04 MPa [150 psig] to 6.94 MPa [1000 psig]

Outlet pressure: from 0.76 MPa [110 psig] to 3.47 MPa [500 psig]

**FT 518 - 3/8 - PM518 HP** recommended max flow rate for optimal performance

Inlet pressure		Outlet pressure									
		0.75 Mpa / 110 psig		1.03 Mpa / 150 psig		1.37 Mpa / 200 psig		2.06 Mpa / 300 psig		3.44 Mpa / 500 psig	
MPa	psig	Stm <sup>3</sup> /h	Scfh	Stm <sup>3</sup> /h	Scfh	Stm <sup>3</sup> /h	Scfh	Stm <sup>3</sup> /h	Scfh	Stm <sup>3</sup> /h	Scfh
1.04	150	325	11500	-	-	-	-	-	-	-	-
1.39	200	450	15900	510	18100	-	-	-	-	-	-
2.08	300	580	20500	830	29400	870	30800	-	-	-	-
2.78	400	750	26500	1050	37100	1300	46000	1100	38900	-	-
3.47	500	900	31800	1500	53000	1580	55800	1400	49500	-	-
5.21	750	1100	38900	1600	56500	1700	60100	2400	84800	2160	76300
6.94	1000	1400	49500	1700	60100	1800	63600	2500	88300	3000	106000

Cg = 115 K1 = 120

**FT 518 - 3/8 - PM518 HP** flow rate with wide open regulator (100% capacity)

Inlet pressure		Outlet pressure									
		0.75 Mpa / 110 psig		1.03 Mpa / 150 psig		1.37 Mpa / 200 psig		2.06 Mpa / 300 psig		3.44 Mpa / 500 psig	
MPa	psig	Stm <sup>3</sup> /h	Scfh	Stm <sup>3</sup> /h	Scfh	Stm <sup>3</sup> /h	Scfh	Stm <sup>3</sup> /h	Scfh	Stm <sup>3</sup> /h	Scfh
1.04	150	572	20300	-	-	-	-	-	-	-	-
1.39	200	849	30000	736	26100	-	-	-	-	-	-
2.08	300	1274	45000	1264	44700	1178	41700	-	-	-	-
2.78	400	1679	59300	1679	59300	1668	58900	1438	50800	-	-
3.47	500	2084	73600	2084	73600	2084	73600	2011	71100	-	-
5.21	750	3097	109400	3097	109400	3097	109400	3097	109400	2884	101900
6.94	1000	4109	145100	4109	145100	4109	145100	4109	145100	4088	144400

Cg = 115 K1 = 120

**Note:** Recommended max flow rate are considering multiple factors such as: extend the regulator's life, mitigate the erosion/vibrations for high velocity and to minimize the noise emission.

**Remark:** all capacity stated are considering a stand alone regulator. In case of incorporated accessories a reduction of flow shall be considered.



## FT 518 - 1/2 - PM518 HP - DN 3/4" | 20 mm

Inlet pressure: from 1.04 MPa [150 psig] to 6.94 MPa [1000 psig]

Outlet pressure: from 0.76 MPa [110 psig] to 3.47 MPa [500 psig]

**FT 518 - 1/2 - PM518 HP** recommended max flow rate for optimal performance

Inlet pressure		Outlet pressure									
		0.75 Mpa / 110 psig		1.03 Mpa / 150 psig		1.37 Mpa / 200 psig		2.06 Mpa / 300 psig		3.44 Mpa / 500 psig	
MPa	psig	Stm <sup>3</sup> /h	Scfh	Stm <sup>3</sup> /h	Scfh	Stm <sup>3</sup> /h	Scfh	Stm <sup>3</sup> /h	Scfh	Stm <sup>3</sup> /h	Scfh
1.04	150	415	14700	-	-	-	-	-	-	-	-
1.39	200	570	20200	600	21200	-	-	-	-	-	-
2.08	300	800	28300	1050	37100	900	31800	-	-	-	-
2.78	400	1150	40700	1250	44200	1380	48800	1150	49434	-	-
3.47	500	1300	46000	1500	53000	1650	58300	1660	81919	-	-
5.21	750	-	-	-	-	-	-	2450	88275	2250	79500
6.94	1000	-	-	-	-	-	-	2600	98868	3200	113000

Cg = 180 K1= 120

**FT 518 - 1/2 - PM518 HP** flow rate with wide open regulator (100% capacity)

Inlet pressure		Outlet pressure									
		0.75 Mpa / 110 psig		1.03 Mpa / 150 psig		1.37 Mpa / 200 psig		2.06 Mpa / 300 psig		3.44 Mpa / 500 psig	
MPa	psig	Stm <sup>3</sup> /h	Scfh	Stm <sup>3</sup> /h	Scfh	Stm <sup>3</sup> /h	Scfh	Stm <sup>3</sup> /h	Scfh	Stm <sup>3</sup> /h	Scfh
1.04	150	896	31700	-	-	-	-	-	-	-	-
1.39	200	1329	47000	1153	40800	-	-	-	-	-	-
2.08	300	1994	70500	1979	69900	1845	65200	-	-	-	-
2.78	400	2628	92900	2628	92900	2611	92200	2251	79500	-	-
3.47	500	3262	115200	3262	115200	3262	115200	3148	111200	-	-
5.21	750	-	-	-	-	-	-	4847	171200	4513	159400
6.94	1000	-	-	-	-	-	-	6432	227200	6399	226000

Cg = 180 K1= 120

**Note:** Recommended max flow rate are considering multiple factors such as: extend the regulator's life, mitigate the erosion/vibrations for high velocity and to minimize the noise emission.

**Remark:** all capacity stated are considering a stand alone regulator. In case of incorporated accessories a reduction of flow shall be considered.



## FT 518 - 3/32 STD - LP - DN 1" | 25 mm

Inlet pressure: from 0.69 MPa [100 psig] to 6.94 MPa [1000 psig]

Outlet pressure: from 0.06 MPa [10 psig] to 0.86 MPa [125 psig]

**FT 518 - 3/32 STD** recommended max flow rate for optimal performance

Inlet pressure		Outlet pressure									
		0.06 Mpa / 10 psig		0.13 Mpa / 20 psig		0.2 Mpa / 30 psig		0.41 Mpa / 60 psig		0.86 Mpa / 125 psig	
MPa	psig	Stm <sup>3</sup> /h	Scfh	Stm <sup>3</sup> /h	Scfh	Stm <sup>3</sup> /h	Scfh	Stm <sup>3</sup> /h	Scfh	Stm <sup>3</sup> /h	Scfh
0.69	100	28	1000	28	1000	28	1000	28	1000	-	-
1.04	150	38	1400	38	1400	38	1400	38	1400	34	1200
1.39	200	49	1800	49	1800	50	1800	50	1800	49	1800
2.08	300	76	2700	76	2700	80	2900	76	2700	72	2600
3.47	500	120	4300	120	4300	125	4400	115	4100	115	4100
5.21	750	150	5300	180	6400	180	6400	180	6400	175	6200
6.94	1000	180	6400	250	8900	250	8900	250	8900	240	8500

Cg = 9 K1= 120

**FT 518 - 3/32 STD** flow rate with wide open regulator (100% capacity)

Inlet pressure		Outlet pressure									
		0.06 Mpa / 10 psig		0.13 Mpa / 20 psig		0.2 Mpa / 30 psig		0.41 Mpa / 60 psig		0.86 Mpa / 125 psig	
MPa	psig	Stm <sup>3</sup> /h	Scfh	Stm <sup>3</sup> /h	Scfh	Stm <sup>3</sup> /h	Scfh	Stm <sup>3</sup> /h	Scfh	Stm <sup>3</sup> /h	Scfh
0.69	100	36	1300	36	1300	36	1300	34	1300	-	-
1.04	150	52	1900	52	1900	52	1900	52	1900	38	1400
1.39	200	68	2500	68	2500	68	2500	68	2500	64	2300
2.08	300	100	3600	100	3600	100	3600	100	3600	100	3600
3.47	500	163	5800	163	5800	163	5800	163	5800	163	5800
5.21	750	242	8600	242	8600	242	8600	242	8600	242	8600
6.94	1000	322	11400	322	11400	322	11400	322	11400	322	11400

Cg = 9 K1= 120

**Note:** Recommended max flow rate are considering multiple factors such as: extend the regulator's life, mitigate the erosion/vibrations for high velocity and to minimize the noise emission.

**Remark:** all capacity stated are considering a stand alone regulator. In case of incorporated accessories a reduction of flow shall be considered.

## FT 518 - 1/8 STD - LP - DN 1" | 25 mm

Inlet pressure: from 0.69 MPa [100 psig] to 6.94 MPa [1000 psig]

Outlet pressure: from 0.06 MPa [10 psig] to 0.86 MPa [125 psig]

### FT 518 - 1/8 STD recommended max flow rate for optimal performance

Inlet pressure		Outlet pressure									
		0.06 Mpa / 10 psig		0.13 Mpa / 20 psig		0.2 Mpa / 30 psig		0.41 Mpa / 60 psig		0.86 Mpa / 125 psig	
MPa	psig	Stm <sup>3</sup> /h	Scfh	Stm <sup>3</sup> /h	Scfh	Stm <sup>3</sup> /h	Scfh	Stm <sup>3</sup> /h	Scfh	Stm <sup>3</sup> /h	Scfh
0.69	100	50	1800	42	1500	48	1700	47	1700	-	-
1.04	150	69	2500	69	2500	70	2500	69	2500	60	2200
1.39	200	90	3200	90	3200	95	3400	90	3200	89	3200
2.08	300	130	4600	130	4600	135	4800	125	4500	125	4500
3.47	500	220	7800	220	7800	225	8000	215	7600	210	7500
5.21	750	330	11700	330	11700	340	12000	320	11300	320	11300
6.94	1000	380	13500	430	15200	440	15600	380	13500	420	14900

Cg = 16 K1= 120

### FT 518 - 1/8 STD flow rate with wide open regulator (100% capacity)

Inlet pressure		Outlet pressure									
		0.06 Mpa / 10 psig		0.13 Mpa / 20 psig		0.2 Mpa / 30 psig		0.41 Mpa / 60 psig		0.86 Mpa / 125 psig	
MPa	psig	Stm <sup>3</sup> /h	Scfh	Stm <sup>3</sup> /h	Scfh	Stm <sup>3</sup> /h	Scfh	Stm <sup>3</sup> /h	Scfh	Stm <sup>3</sup> /h	Scfh
0.69	100	65	2300	65	2300	65	2300	61	2200	-	-
1.04	150	93	3300	93	3300	93	3300	93	3300	68	2400
1.39	200	121	4300	121	4300	121	4300	121	4300	114	4100
2.08	300	177	6300	177	6300	177	6300	177	6300	177	6300
3.47	500	290	10300	290	10300	290	10300	290	10300	290	10300
5.21	750	431	15300	431	15300	431	15300	431	15300	431	15300
6.94	1000	572	20200	572	20200	572	20200	572	20200	572	20200

Cg = 16 K1= 120

**Note:** Recommended max flow rate are considering multiple factors such as: extend the regulator's life, mitigate the erosion/vibrations for high velocity and to minimize the noise emission.

**Remark:** all capacity stated are considering a stand alone regulator. In case of incorporated accessories a reduction of flow shall be considered.



## FT 518 - 3/16 STD - LP - DN 1" | 25 mm

Inlet pressure: from 0.69 MPa [100 psig] to 6.94 MPa [1000 psig]

Outlet pressure: from 0.06 MPa [10 psig] to 0.86 MPa [125 psig]

**FT 518 - 3/16 STD** recommended max flow rate for optimal performance

Inlet pressure		Outlet pressure									
		0.06 Mpa / 10 psig		0.13 Mpa / 20 psig		0.2 Mpa / 30 psig		0.41 Mpa / 60 psig		0.86 Mpa / 125 psig	
MPa	psig	Stm <sup>3</sup> /h	Scfh	Stm <sup>3</sup> /h	Scfh	Stm <sup>3</sup> /h	Scfh	Stm <sup>3</sup> /h	Scfh	Stm <sup>3</sup> /h	Scfh
0.69	100	120	4300	110	3900	108	3900	100	3600	-	-
1.04	150	150	5300	150	5300	160	5700	150	5300	140	5000
1.39	200	200	7100	200	7100	210	7500	200	7100	200	7100
2.08	300	280	9900	280	9900	300	10600	290	10300	290	10300
3.47	500	410	14500	430	15200	510	18100	480	17000	480	17000
5.21	750	500	17700	600	21200	540	19100	700	24800	720	25500
6.94	1000	-	-	750	26500	800	28300	950	33600	950	33600

Cg = 34 K1= 120

**FT 518 - 3/16 STD** flow rate with wide open regulator (100% capacity)

Inlet pressure		Outlet pressure									
		0.06 Mpa / 10 psig		0.13 Mpa / 20 psig		0.2 Mpa / 30 psig		0.41 Mpa / 60 psig		0.86 Mpa / 125 psig	
MPa	psig	Stm <sup>3</sup> /h	Scfh	Stm <sup>3</sup> /h	Scfh	Stm <sup>3</sup> /h	Scfh	Stm <sup>3</sup> /h	Scfh	Stm <sup>3</sup> /h	Scfh
0.69	100	137	4900	137	4900	137	4900	130	4600	-	-
1.04	150	197	7000	197	7000	197	7000	197	7000	144	5100
1.39	200	257	9100	257	9100	257	9100	257	9100	243	8600
2.08	300	377	13400	377	13400	377	13400	377	13400	377	13400
3.47	500	616	21800	616	21800	616	21800	616	21800	616	21800
5.21	750	916	32400	916	32400	916	32400	916	32400	916	32400
6.94	1000	-	-	1215	42900	1215	42900	1215	42900	1215	42900

Cg = 34 K1= 120

**Note:** Recommended max flow rate are considering multiple factors such as: extend the regulator's life, mitigate the erosion/vibrations for high velocity and to minimize the noise emission.

**Remark:** all capacity stated are considering a stand alone regulator. In case of incorporated accessories a reduction of flow shall be considered.

## FT 518 - 1/4 STD - LP - DN 1" | 25 mm

Inlet pressure: from 0.69 MPa [100 psig] to 6.94 MPa [1000 psig]

Outlet pressure: from 0.06 MPa [10 psig] to 0.86 MPa [125 psig]

### FT 518 - 1/4 STD recommended max flow rate for optimal performance

Inlet pressure		Outlet pressure									
		0.06 Mpa / 10 psig		0.13 Mpa / 20 psig		0.2 Mpa / 30 psig		0.41 Mpa / 60 psig		0.86 Mpa / 125 psig	
MPa	psig	Stm <sup>3</sup> /h	Scfh	Stm <sup>3</sup> /h	Scfh	Stm <sup>3</sup> /h	Scfh	Stm <sup>3</sup> /h	Scfh	Stm <sup>3</sup> /h	Scfh
0.69	100	180	6400	190	6800	190	6800	185	6600	-	-
1.04	150	270	9600	280	9900	290	10300	280	9900	240	8500
1.39	200	350	12400	350	12400	360	12800	360	12800	350	12400
2.08	300	480	17000	490	17400	500	17700	520	18400	520	18400
3.47	500	530	18800	750	26500	750	26500	850	30100	850	30100
5.21	750	-	-	850	30100	850	30100	1160	41000	1300	46000
6.94	1000	-	-	900	31800	900	31800	1400	49500	1700	60100

Cg = 58 K1= 120

### FT 518 - 1/4 STD flow rate with wide open regulator (100% capacity)

Inlet pressure		Outlet pressure									
		0.06 Mpa / 10 psig		0.13 Mpa / 20 psig		0.2 Mpa / 30 psig		0.41 Mpa / 60 psig		0.86 Mpa / 125 psig	
MPa	psig	Stm <sup>3</sup> /h	Scfh	Stm <sup>3</sup> /h	Scfh	Stm <sup>3</sup> /h	Scfh	Stm <sup>3</sup> /h	Scfh	Stm <sup>3</sup> /h	Scfh
0.69	100	234	8300	234	8300	234	8300	221	7900	-	-
1.04	150	336	11900	336	11900	336	11900	336	11900	245	8700
1.39	200	438	15500	438	15500	438	15500	438	15500	414	14700
2.08	300	643	22700	643	22700	643	22700	643	22700	643	22700
3.47	500	1051	37200	1051	37200	1051	37200	1051	37200	1051	37200
5.21	750	-	-	1562	55200	1562	55200	1562	55200	1562	55200
6.94	1000	-	-	2072	73200	2072	73200	2072	73200	2072	73200

Cg = 58 K1= 120

**Note:** Recommended max flow rate are considering multiple factors such as: extend the regulator's life, mitigate the erosion/vibrations for high velocity and to minimize the noise emission.

**Remark:** all capacity stated are considering a stand alone regulator. In case of incorporated accessories a reduction of flow shall be considered.



## FT 518 - 3/8 STD - LP - DN 1" | 25 mm

Inlet pressure: from 0.69 MPa [100 psig] to 6.94 MPa [1000 psig]

Outlet pressure: from 0.06 MPa [10 psig] to 0.86 MPa [125 psig]

**FT 518 - 3/8 STD** recommended max flow rate for optimal performance

Inlet pressure		Outlet pressure									
		0.06 Mpa / 10 psig		0.13 Mpa / 20 psig		0.2 Mpa / 30 psig		0.41 Mpa / 60 psig		0.86 Mpa / 125 psig	
MPa	psig	Stm <sup>3</sup> /h	Scfh	Stm <sup>3</sup> /h	Scfh	Stm <sup>3</sup> /h	Scfh	Stm <sup>3</sup> /h	Scfh	Stm <sup>3</sup> /h	Scfh
0.69	100	220	7800	340	12100	350	12400	340	12100	-	-
1.04	150	400	14200	460	16300	410	14500	500	17700	440	15600
1.39	200	430	15200	700	24800	440	15600	650	23000	800	28300
2.08	300	-	-	750	26500	800	28300	1050	37100	1110	39200
3.47	500	-	-	800	28300	900	31800	1700	60100	1800	63600
5.21	750	-	-	-	-	1000	35400	1750	61800	2700	95400
6.94	1000	-	-	-	-	-	-	1800	63600	3400	120100

Cg = 115 K1 = 120

**FT 518 - 3/8 STD** flow rate with wide open regulator (100% capacity)

Inlet pressure		Outlet pressure									
		0.06 Mpa / 10 psig		0.13 Mpa / 20 psig		0.2 Mpa / 30 psig		0.41 Mpa / 60 psig		0.86 Mpa / 125 psig	
MPa	psig	Stm <sup>3</sup> /h	Scfh	Stm <sup>3</sup> /h	Scfh	Stm <sup>3</sup> /h	Scfh	Stm <sup>3</sup> /h	Scfh	Stm <sup>3</sup> /h	Scfh
0.69	100	464	16400	464	16400	464	16400	439	15500	-	-
1.04	150	667	23600	667	23600	667	23600	667	23600	486	17200
1.39	200	869	30700	869	30700	869	30700	869	30700	821	29100
2.08	300	-	-	1274	45000	1274	45000	1274	45000	1274	45000
3.47	500	-	-	2084	73600	2084	73600	2084	73600	2084	73600
5.21	750	-	-	-	-	2859	101000	3097	109400	3097	109400
6.94	1000	-	-	-	-	-	-	4109	145100	4109	145100

Cg = 115 K1 = 120

**Note:** Recommended max flow rate are considering multiple factors such as: extend the regulator's life, mitigate the erosion/vibrations for high velocity and to minimize the noise emission.

**Remark:** all capacity stated are considering a stand alone regulator. In case of incorporated accessories a reduction of flow shall be considered.

## FT 518 - 1/2 STD - LP - DN 1" | 25 mm

Inlet pressure: from 0.69 MPa [100 psig] to 6.94 MPa [1000 psig]

Outlet pressure: from 0.06 MPa [10 psig] to 0.86 MPa [125 psig]

### FT 518 - 1/2 STD recommended max flow rate for optimal performance

Inlet pressure		Outlet pressure									
		0.06 Mpa / 10 psig		0.13 Mpa / 20 psig		0.2 Mpa / 30 psig		0.41 Mpa / 60 psig		0.86 Mpa / 125 psig	
MPa	psig	Stm <sup>3</sup> /h	Scfh	Stm <sup>3</sup> /h	Scfh	Stm <sup>3</sup> /h	Scfh	Stm <sup>3</sup> /h	Scfh	Stm <sup>3</sup> /h	Scfh
0.69	100	420	14900	550	19500	600	21200	550	19500	-	-
1.04	150	460	16300	680	24100	800	28300	850	30100	600	21200
1.39	200	480	17000	750	26500	950	33600	1100	38900	880	31100
2.08	300	-	-	800	28300	1000	35400	1500	53000	1550	54800
3.47	500	-	-	-	-	1000	35400	1800	63600	2850	100700
5.21	750	-	-	-	-	-	-	1900	67100	3900	137800
6.94	1000	-	-	-	-	-	-	-	-	4000	141300

Cg = 160 K1= 120

### FT 518 - 1/2 STD flow rate with wide open regulator (100% capacity)

Inlet pressure		Outlet pressure									
		0.06 Mpa / 10 psig		0.13 Mpa / 20 psig		0.2 Mpa / 30 psig		0.41 Mpa / 60 psig		0.86 Mpa / 125 psig	
MPa	psig	Stm <sup>3</sup> /h	Scfh	Stm <sup>3</sup> /h	Scfh	Stm <sup>3</sup> /h	Scfh	Stm <sup>3</sup> /h	Scfh	Stm <sup>3</sup> /h	Scfh
0.69	100	646	22900	646	22900	646	22900	610	21600	-	-
1.04	150	927	32800	927	32800	927	32800	927	32800	676	23900
1.39	200	1209	42700	1209	42700	1209	42700	1209	42700	1143	40400
2.08	300	-	-	1773	62600	1773	62600	1773	62600	1773	62600
3.47	500	-	-	-	-	2859	101000	2900	102400	2900	102400
5.21	750	-	-	-	-	-	-	4308	152200	4308	152200
6.94	1000	-	-	-	-	-	-	-	-	5717	201900

Cg = 160 K1= 120

**Note:** Recommended max flow rate are considering multiple factors such as: extend the regulator's life, mitigate the erosion/vibrations for high velocity and to minimize the noise emission.

**Remark:** all capacity stated are considering a stand alone regulator. In case of incorporated accessories a reduction of flow shall be considered.



## FT 518 - 3/32 STD - HP - DN 1" | 25 mm

Inlet pressure: from 1.04 MPa [150 psig] to 6.94 MPa [1000 psig]

Outlet pressure: from 0.76 MPa [110 psig] to 3.47 MPa [500 psig]

**FT 518 - 3/32 STD - HP** recommended max flow rate for optimal performance

Inlet pressure		Outlet pressure									
		0.75 Mpa / 110 psig		1.03 Mpa / 150 psig		1.37 Mpa / 200 psig		2.06 Mpa / 300 psig		3.44 Mpa / 500 psig	
MPa	psig	Stm <sup>3</sup> /h	Scfh	Stm <sup>3</sup> /h	Scfh	Stm <sup>3</sup> /h	Scfh	Stm <sup>3</sup> /h	Scfh	Stm <sup>3</sup> /h	Scfh
1.04	150	39	1400	-	-	-	-	-	-	-	-
1.39	200	48	1700	48	1700	-	-	-	-	-	-
2.08	300	70	2500	75	2700	75	2700	-	-	-	-
2.78	400	105	3800	100	3600	100	3600	100	3600	-	-
3.47	500	110	3900	120	4300	126	4500	128	4600	-	-
5.21	750	165	5900	185	6600	180	6400	188	6700	185	6600
6.94	1000	240	8500	256	9100	250	8900	245	8700	245	8700

Cg = 9 K1= 120

**FT 518 - 3/32 STD - HP** flow rate with wide open regulator (100% capacity)

Inlet pressure		Outlet pressure									
		0.75 Mpa / 110 psig		1.03 Mpa / 150 psig		1.37 Mpa / 200 psig		2.06 Mpa / 300 psig		3.44 Mpa / 500 psig	
MPa	psig	Stm <sup>3</sup> /h	Scfh	Stm <sup>3</sup> /h	Scfh	Stm <sup>3</sup> /h	Scfh	Stm <sup>3</sup> /h	Scfh	Stm <sup>3</sup> /h	Scfh
1.04	150	45	1600	-	-	-	-	-	-	-	-
1.39	200	66	2400	58	2100	-	-	-	-	-	-
2.08	300	100	3600	99	3500	92	3300	-	-	-	-
2.78	400	131	4700	131	4700	131	4700	113	4000	-	-
3.47	500	163	5800	163	5800	163	5800	157	5600	-	-
5.21	750	242	8600	242	8600	242	8600	242	8600	226	8000
6.94	1000	322	11400	322	11400	322	11400	322	11400	320	11300

Cg = 9 K1= 120

**Note:** Recommended max flow rate are considering multiple factors such as: extend the regulator's life, mitigate the erosion/vibrations for high velocity and to minimize the noise emission.

**Remark:** all capacity stated are considering a stand alone regulator. In case of incorporated accessories a reduction of flow shall be considered.



## FT 518 - 1/8 STD - HP -DN 1" | 25 mm

Inlet pressure: from 1.04 MPa [150 psig] to 6.94 MPa [1000 psig]

Outlet pressure: from 0.76 MPa [110 psig] to 3.47 MPa [500 psig]

### FT 518 - 1/8 STD - HP recommended max flow rate for optimal performance

Inlet pressure		Outlet pressure									
		0.75 Mpa / 110 psig		1.03 Mpa / 150 psig		1.37 Mpa / 200 psig		2.06 Mpa / 300 psig		3.44 Mpa / 500 psig	
MPa	psig	Stm <sup>3</sup> /h	Scfh	Stm <sup>3</sup> /h	Scfh	Stm <sup>3</sup> /h	Scfh	Stm <sup>3</sup> /h	Scfh	Stm <sup>3</sup> /h	Scfh
1.04	150	60	2200	-	-	-	-	-	-	-	-
1.39	200	85	3100	90	3200	-	-	-	-	-	-
2.08	300	110	3900	140	5000	140	5000	-	-	-	-
2.78	400	153	5500	180	6400	185	6600	175	6200	-	-
3.47	500	200	7100	220	7800	225	8000	228	8100	-	-
5.21	750	300	10600	330	11700	340	12100	340	12100	330	11700
6.94	1000	450	15900	450	15900	450	15900	455	16100	430	15200

Cg = 16 K1= 120

### FT 518 - 1/8 STD - HP flow rate with wide open regulator (100% capacity)

Inlet pressure		Outlet pressure									
		0.75 Mpa / 110 psig		1.03 Mpa / 150 psig		1.37 Mpa / 200 psig		2.06 Mpa / 300 psig		3.44 Mpa / 500 psig	
MPa	psig	Stm <sup>3</sup> /h	Scfh	Stm <sup>3</sup> /h	Scfh	Stm <sup>3</sup> /h	Scfh	Stm <sup>3</sup> /h	Scfh	Stm <sup>3</sup> /h	Scfh
1.04	150	80	2900	-	-	-	-	-	-	-	-
1.39	200	118	4200	102	3700	-	-	-	-	-	-
2.08	300	177	6300	176	6300	164	5800	-	-	-	-
2.78	400	234	8300	234	8300	232	8200	200	7100	-	-
3.47	500	290	10300	290	10300	290	10300	280	9900	-	-
5.21	750	431	15300	431	15300	431	15300	431	15300	401	14200
6.94	1000	572	20200	572	20200	572	20200	572	20200	569	20100

Cg = 16 K1= 120

**Note:** Recommended max flow rate are considering multiple factors such as: extend the regulator's life, mitigate the erosion/vibrations for high velocity and to minimize the noise emission.

**Remark:** all capacity stated are considering a stand alone regulator. In case of incorporated accessories a reduction of flow shall be considered.



## FT 518 - 3/16 STD - HP - DN 1" | 25 mm

Inlet pressure: from 1.04 MPa [150 psig] to 6.94 MPa [1000 psig]

Outlet pressure: from 0.76 MPa [110 psig] to 3.47 MPa [500 psig]

FT 518 - 3/16 STD - HP recommended max flow rate for optimal performance

Inlet pressure		Outlet pressure									
		0.75 Mpa / 110 psig		1.03 Mpa / 150 psig		1.37 Mpa / 200 psig		2.06 Mpa / 300 psig		3.44 Mpa / 500 psig	
MPa	psig	Stm <sup>3</sup> /h	Scfh	Stm <sup>3</sup> /h	Scfh	Stm <sup>3</sup> /h	Scfh	Stm <sup>3</sup> /h	Scfh	Stm <sup>3</sup> /h	Scfh
1.04	150	137	4900	-	-	-	-	-	-	-	-
1.39	200	190	6800	200	7100	-	-	-	-	-	-
2.08	300	280	9900	310	11000	310	11000	-	-	-	-
2.78	400	400	14200	405	14400	405	14400	380	13500	-	-
3.47	500	460	16300	500	17700	490	17400	480	17000	-	-
5.21	750	680	24100	750	26500	740	26200	740	26200	760	26900
6.94	1000	935	33100	970	34300	1010	35700	980	34700	980	34700

Cg = 34 K1= 120

FT 518 - 3/16 STD - HP flow rate with wide open regulator (100% capacity)

Inlet pressure		Outlet pressure									
		0.75 Mpa / 110 psig		1.03 Mpa / 150 psig		1.37 Mpa / 200 psig		2.06 Mpa / 300 psig		3.44 Mpa / 500 psig	
MPa	psig	Stm <sup>3</sup> /h	Scfh	Stm <sup>3</sup> /h	Scfh	Stm <sup>3</sup> /h	Scfh	Stm <sup>3</sup> /h	Scfh	Stm <sup>3</sup> /h	Scfh
1.04	150	169	6000	-	-	-	-	-	-	-	-
1.39	200	251	8900	218	7700	-	-	-	-	-	-
2.08	300	377	13400	374	13200	348	12400	-	-	-	-
2.78	400	496	17600	496	17600	493	17500	425	15100	-	-
3.47	500	616	21800	616	21800	616	21800	595	21000	-	-
5.21	750	916	32400	916	32400	916	32400	916	32400	853	30200
6.94	1000	1215	42900	1215	42900	1215	42900	1215	42900	1209	42700

Cg = 34 K1= 120

**Note:** Recommended max flow rate are considering multiple factors such as: extend the regulator's life, mitigate the erosion/vibrations for high velocity and to minimize the noise emission.

**Remark:** all capacity stated are considering a stand alone regulator. In case of incorporated accessories a reduction of flow shall be considered.

## FT 518 - 1/4 STD - HP - DN 1" | 25 mm

Inlet pressure: from 1.04 MPa [150 psig] to 6.94 MPa [1000 psig]

Outlet pressure: from 0.76 MPa [110 psig] to 3.47 MPa [500 psig]

### FT 518 - 1/4 STD - HP recommended max flow rate for optimal performance

Inlet pressure		Outlet pressure									
		0.75 Mpa / 110 psig		1.03 Mpa / 150 psig		1.37 Mpa / 200 psig		2.06 Mpa / 300 psig		3.44 Mpa / 500 psig	
MPa	psig	Stm <sup>3</sup> /h	Scfh	Stm <sup>3</sup> /h	Scfh	Stm <sup>3</sup> /h	Scfh	Stm <sup>3</sup> /h	Scfh	Stm <sup>3</sup> /h	Scfh
1.04	150	220	7800	-	-	-	-	-	-	-	-
1.39	200	320	11300	340	12100	-	-	-	-	-	-
2.08	300	460	16300	530	18800	540	19100	-	-	-	-
2.78	400	620	21900	700	24800	715	25300	670	23700	-	-
3.47	500	750	26500	860	30400	920	32500	920	32500	-	-
5.21	750	1000	35400	1350	47700	1360	48100	1360	48100	1370	48400
6.94	1000	1690	59700	1650	58300	1820	64300	1760	62200	1800	63600

Cg = 58 K1= 120

### FT 518 - 1/4 STD - HP flow rate with wide open regulator (100% capacity)

Inlet pressure		Outlet pressure									
		0.75 Mpa / 110 psig		1.03 Mpa / 150 psig		1.37 Mpa / 200 psig		2.06 Mpa / 300 psig		3.44 Mpa / 500 psig	
MPa	psig	Stm <sup>3</sup> /h	Scfh	Stm <sup>3</sup> /h	Scfh	Stm <sup>3</sup> /h	Scfh	Stm <sup>3</sup> /h	Scfh	Stm <sup>3</sup> /h	Scfh
1.04	150	289	10200	-	-	-	-	-	-	-	-
1.39	200	428	15200	371	13200	-	-	-	-	-	-
2.08	300	643	22700	638	22600	594	21000	-	-	-	-
2.78	400	847	30000	847	30000	841	29800	725	25700	-	-
3.47	500	1051	37200	1051	37200	1051	37200	1014	35900	-	-
5.21	750	1562	55200	1562	55200	1562	55200	1562	55200	1454	51400
6.94	1000	2072	73200	2072	73200	2072	73200	2072	73200	2062	72900

Cg = 58 K1= 120

**Note:** Recommended max flow rate are considering multiple factors such as: extend the regulator's life, mitigate the erosion/vibrations for high velocity and to minimize the noise emission.

**Remark:** all capacity stated are considering a stand alone regulator. In case of incorporated accessories a reduction of flow shall be considered.



## FT 518 - 3/8 STD - HP - DN 1" | 25 mm

Inlet pressure: from 1.04 MPa [150 psig] to 6.94 MPa [1000 psig]

Outlet pressure: from 0.76 MPa [110 psig] to 3.47 MPa [500 psig]

**FT 518 - 3/8 STD - HP** recommended max flow rate for optimal performance

Inlet pressure		Outlet pressure									
		0.75 Mpa / 110 psig		1.03 Mpa / 150 psig		1.37 Mpa / 200 psig		2.06 Mpa / 300 psig		3.44 Mpa / 500 psig	
MPa	psig	Stm <sup>3</sup> /h	Scfh	Stm <sup>3</sup> /h	Scfh	Stm <sup>3</sup> /h	Scfh	Stm <sup>3</sup> /h	Scfh	Stm <sup>3</sup> /h	Scfh
1.04	150	390	13800	-	-	-	-	-	-	-	-
1.39	200	550	19500	630	22300	-	-	-	-	-	-
2.08	300	700	24800	840	29700	1000	35400	-	-	-	-
2.78	400	1110	39200	1100	38900	1400	49500	1200	42400	-	-
3.47	500	1400	49500	1450	51200	1760	62200	1550	54800	-	-
5.21	750	1800	63600	1600	56500	1900	67100	2300	81300	2450	86600
6.94	1000	2400	84800	1800	63600	2000	70700	3600	127200	3650	128900

Cg = 115 K1 = 120

**FT 518 - 3/8 STD - HP** flow rate with wide open regulator (100% capacity)

Inlet pressure		Outlet pressure									
		0.75 Mpa / 110 psig		1.03 Mpa / 150 psig		1.37 Mpa / 200 psig		2.06 Mpa / 300 psig		3.44 Mpa / 500 psig	
MPa	psig	Stm <sup>3</sup> /h	Scfh	Stm <sup>3</sup> /h	Scfh	Stm <sup>3</sup> /h	Scfh	Stm <sup>3</sup> /h	Scfh	Stm <sup>3</sup> /h	Scfh
1.04	150	572	20300	-	-	-	-	-	-	-	-
1.39	200	849	30000	736	26100	-	-	-	-	-	-
2.08	300	1274	45000	1264	44700	1178	41700	-	-	-	-
2.78	400	1679	59300	1679	59300	1668	58900	1438	50800	-	-
3.47	500	2084	73600	2084	73600	2084	73600	2011	71100	-	-
5.21	750	3097	109400	3097	109400	3097	109400	3097	109400	2884	101900
6.94	1000	4109	145100	4109	145100	4109	145100	4109	145100	4088	144400

Cg = 115 K1 = 120

**Note:** Recommended max flow rate are considering multiple factors such as: extend the regulator's life, mitigate the erosion/vibrations for high velocity and to minimize the noise emission.

**Remark:** all capacity stated are considering a stand alone regulator. In case of incorporated accessories a reduction of flow shall be considered.

## FT 518 - 1/2 STD - HP - DN 1" | 25 mm

Inlet pressure: from 1.04 MPa [150 psig] to 6.94 MPa [1000 psig]

Outlet pressure: from 0.76 MPa [110 psig] to 3.47 MPa [500 psig]

**FT 518 - 1/2 STD HP** recommended max flow rate for optimal performance

Inlet pressure		Outlet pressure									
		0.75 Mpa / 110 psig		1.03 Mpa / 150 psig		1.37 Mpa / 200 psig		2.06 Mpa / 300 psig		3.44 Mpa / 500 psig	
MPa	psig	Stm <sup>3</sup> /h	Scfh	Stm <sup>3</sup> /h	Scfh	Stm <sup>3</sup> /h	Scfh	Stm <sup>3</sup> /h	Scfh	Stm <sup>3</sup> /h	Scfh
1.04	150	550	19500	-	-	-	-	-	-	-	-
1.39	200	750	26500	900	31800	-	-	-	-	-	-
2.08	300	1230	43500	1350	47700	1450	51200	-	-	-	-
2.78	400	1400	49500	1450	51200	1900	67100	1550	49434	-	-
3.47	500	1680	59400	1900	67100	2500	88300	2400	81919	-	-
5.21	750	-	-	-	-	-	-	3000	88275	4000	141300
6.94	1000	-	-	-	-	-	-	4500	98868	4600	162500

Cg = 180 K1= 120

**FT 518 - 1/2 STD - HP** flow rate with wide open regulator (100% capacity)

Inlet pressure		Outlet pressure									
		0.75 Mpa / 110 psig		1.03 Mpa / 150 psig		1.37 Mpa / 200 psig		2.06 Mpa / 300 psig		3.44 Mpa / 500 psig	
MPa	psig	Stm <sup>3</sup> /h	Scfh	Stm <sup>3</sup> /h	Scfh	Stm <sup>3</sup> /h	Scfh	Stm <sup>3</sup> /h	Scfh	Stm <sup>3</sup> /h	Scfh
1.04	150	896	31700	-	-	-	-	-	-	-	-
1.39	200	1329	47000	1153	40800	-	-	-	-	-	-
2.08	300	1994	70500	1979	69900	1845	65200	-	-	-	-
2.78	400	2628	92900	2628	92900	2611	92200	2251	79500	-	-
3.47	500	3262	115200	3262	115200	3262	115200	3148	111200	-	-
5.21	750	-	-	-	-	-	-	4847	171200	4513	159400
6.94	1000	-	-	-	-	-	-	6432	227200	6399	226000

Cg = 180 K1= 120

**Note:** Recommended max flow rate are considering multiple factors such as: extend the regulator's life, mitigate the erosion/vibrations for high velocity and to minimize the noise emission.

**Remark:** all capacity stated are considering a stand alone regulator. In case of incorporated accessories a reduction of flow shall be considered.



## FT 518 - 3/32 - PM518 LP - DN 1" | 25 mm

Inlet pressure: from 0.69 MPa [100 psig] to 6.94 MPa [1000 psig]

Outlet pressure: from 0.06 MPa [10 psig] to 0.86 MPa [125 psig]

**FT 518 - 3/32 STD - PM518 LP** recommended max flow rate for optimal performance

Inlet pressure		Outlet pressure									
		0.06 Mpa / 10 psig		0.13 Mpa / 20 psig		0.2 Mpa / 30 psig		0.41 Mpa / 60 psig		0.86 Mpa / 125 psig	
MPa	psig	Stm <sup>3</sup> /h	Scfh	Stm <sup>3</sup> /h	Scfh	Stm <sup>3</sup> /h	Scfh	Stm <sup>3</sup> /h	Scfh	Stm <sup>3</sup> /h	Scfh
0.69	100	27	1000	27	1000	28	1000	28	1000	-	-
1.04	150	36	1300	37	1400	36	1300	37	1400	34	1200
1.39	200	46	1700	47	1700	45	1600	48	1700	48	1700
2.08	300	72	2600	74	2700	70	2500	70	2500	70	2500
3.47	500	-	-	110	3900	116	4100	110	3900	110	3900
5.21	750	-	-	165	5900	168	6000	170	6100	170	6100
6.94	1000	-	-	-	-	-	-	235	8300	230	8200

Cg = 9 K1= 120

**FT 518 - 1/2 - PM518 LP** flow rate with wide open regulator (100% capacity)

Inlet pressure		Outlet pressure									
		0.06 Mpa / 10 psig		0.13 Mpa / 20 psig		0.2 Mpa / 30 psig		0.41 Mpa / 60 psig		0.86 Mpa / 125 psig	
MPa	psig	Stm <sup>3</sup> /h	Scfh	Stm <sup>3</sup> /h	Scfh	Stm <sup>3</sup> /h	Scfh	Stm <sup>3</sup> /h	Scfh	Stm <sup>3</sup> /h	Scfh
0.69	100	36	1300	36	1300	36	1300	34	1300	-	-
1.04	150	52	1900	52	1900	52	1900	52	1900	38	1400
1.39	200	68	2500	68	2500	68	2500	68	2500	64	2300
2.08	300	100	3600	100	3600	100	3600	100	3600	100	3600
3.47	500	-	-	163	5800	163	5800	163	5800	163	5800
5.21	750	-	-	242	8600	242	8600	242	8600	242	8600
6.94	1000	-	-	-	-	-	-	322	11400	322	11400

Cg = 9 K1= 120

**Note:** Recommended max flow rate are considering multiple factors such as: extend the regulator's life, mitigate the erosion/vibrations for high velocity and to minimize the noise emission.

**Remark:** all capacity stated are considering a stand alone regulator. In case of incorporated accessories a reduction of flow shall be considered.

## FT 518 - 1/8 - PM518 LP - DN 1" | 25 mm

Inlet pressure: from 0.69 MPa [100 psig] to 6.94 MPa [1000 psig]

Outlet pressure: from 0.06 MPa [10 psig] to 0.86 MPa [125 psig]

**FT 518 - 1/8 - PM518 LP** recommended max flow rate for optimal performance

Inlet pressure		Outlet pressure									
		0.06 Mpa / 10 psig		0.13 Mpa / 20 psig		0.2 Mpa / 30 psig		0.41 Mpa / 60 psig		0.86 Mpa / 125 psig	
MPa	psig	Stm <sup>3</sup> /h	Scfh	Stm <sup>3</sup> /h	Scfh	Stm <sup>3</sup> /h	Scfh	Stm <sup>3</sup> /h	Scfh	Stm <sup>3</sup> /h	Scfh
0.69	100	48	1700	42	1500	45	1600	47	1700	-	-
1.04	150	66	2400	65	2300	67	2400	68	2500	60	2200
1.39	200	85	3100	85	3100	89	3200	88	3200	86	3100
2.08	300	120	4300	120	4300	130	4600	125	4500	120	4300
3.47	500	-	-	200	7100	218	7700	215	7600	200	7100
5.21	750	-	-	300	10600	320	11300	320	11300	290	10300
6.94	1000	-	-	-	-	-	-	370	13100	390	13800

Cg = 16 K1= 120

**FT 518 - 1/8 - PM518 LP** flow rate with wide open regulator (100% capacity)

Inlet pressure		Outlet pressure									
		0.06 Mpa / 10 psig		0.13 Mpa / 20 psig		0.2 Mpa / 30 psig		0.41 Mpa / 60 psig		0.86 Mpa / 125 psig	
MPa	psig	Stm <sup>3</sup> /h	Scfh	Stm <sup>3</sup> /h	Scfh	Stm <sup>3</sup> /h	Scfh	Stm <sup>3</sup> /h	Scfh	Stm <sup>3</sup> /h	Scfh
0.69	100	65	2300	65	2300	65	2300	61	2200	-	-
1.04	150	93	3300	93	3300	93	3300	93	3300	68	2400
1.39	200	121	4300	121	4300	121	4300	121	4300	114	4100
2.08	300	177	6300	177	6300	177	6300	177	6300	177	6300
3.47	500	-	-	290	10300	290	10300	290	10300	290	10300
5.21	750	-	-	431	15300	431	15300	431	15300	431	15300
6.94	1000	-	-	-	-	-	-	572	20200	572	20200

Cg = 16 K1= 120

**Note:** Recommended max flow rate are considering multiple factors such as: extend the regulator's life, mitigate the erosion/vibrations for high velocity and to minimize the noise emission.

**Remark:** all capacity stated are considering a stand alone regulator. In case of incorporated accessories a reduction of flow shall be considered.



## FT 518 - 3/16 - PM518 LP - DN 1" | 25 mm

Inlet pressure: from 0.69 MPa [100 psig] to 6.94 MPa [1000 psig]

Outlet pressure: from 0.06 MPa [10 psig] to 0.86 MPa [125 psig]

**FT 518 - 3/16 - PM518 LP** recommended max flow rate for optimal performance

Inlet pressure		Outlet pressure									
		0.06 Mpa / 10 psig		0.13 Mpa / 20 psig		0.2 Mpa / 30 psig		0.41 Mpa / 60 psig		0.86 Mpa / 125 psig	
MPa	psig	Stm <sup>3</sup> /h	Scfh	Stm <sup>3</sup> /h	Scfh	Stm <sup>3</sup> /h	Scfh	Stm <sup>3</sup> /h	Scfh	Stm <sup>3</sup> /h	Scfh
0.69	100	100	3600	100	3600	105	3800	90	3200	-	-
1.04	150	130	4600	145	5200	155	5500	145	5200	130	4600
1.39	200	180	6400	190	6800	210	7500	190	6800	190	6800
2.08	300	260	9200	267	9500	280	9900	260	9200	275	9800
3.47	500	-	-	400	14200	470	16600	470	16600	470	16600
5.21	750	-	-	550	19500	550	19500	650	23000	680	24100
6.94	1000	-	-	-	-	-	-	850	30100	880	31100

Cg = 34 K1= 120

**FT 518 - 3/16 - PM518 LP** flow rate with wide open regulator (100% capacity)

Inlet pressure		Outlet pressure									
		0.06 Mpa / 10 psig		0.13 Mpa / 20 psig		0.2 Mpa / 30 psig		0.41 Mpa / 60 psig		0.86 Mpa / 125 psig	
MPa	psig	Stm <sup>3</sup> /h	Scfh	Stm <sup>3</sup> /h	Scfh	Stm <sup>3</sup> /h	Scfh	Stm <sup>3</sup> /h	Scfh	Stm <sup>3</sup> /h	Scfh
0.69	100	137	4900	137	4900	137	4900	130	4600	-	-
1.04	150	197	7000	197	7000	197	7000	197	7000	144	5100
1.39	200	257	9100	257	9100	257	9100	257	9100	243	8600
2.08	300	377	13400	377	13400	377	13400	377	13400	377	13400
3.47	500	-	-	616	21800	616	21800	616	21800	616	21800
5.21	750	-	-	916	32400	916	32400	916	32400	916	32400
6.94	1000	-	-	-	-	-	-	1215	42900	1215	42900

Cg = 34 K1= 120

**Note:** Recommended max flow rate are considering multiple factors such as: extend the regulator's life, mitigate the erosion/vibrations for high velocity and to minimize the noise emission.

**Remark:** all capacity stated are considering a stand alone regulator. In case of incorporated accessories a reduction of flow shall be considered.



## FT 518 - 1/4 - PM518 LP - DN 1" | 25 mm

Inlet pressure: from 0.69 MPa [100 psig] to 6.94 MPa [1000 psig]

Outlet pressure: from 0.06 MPa [10 psig] to 0.86 MPa [125 psig]

**FT 518 - 1/4 - PM518 LP** recommended max flow rate for optimal performance

Inlet pressure		Outlet pressure									
		0.06 Mpa / 10 psig		0.13 Mpa / 20 psig		0.2 Mpa / 30 psig		0.41 Mpa / 60 psig		0.86 Mpa / 125 psig	
MPa	psig	Stm <sup>3</sup> /h	Scfh	Stm <sup>3</sup> /h	Scfh	Stm <sup>3</sup> /h	Scfh	Stm <sup>3</sup> /h	Scfh	Stm <sup>3</sup> /h	Scfh
0.69	100	160	5700	180	6400	180	6400	180	6400	-	-
1.04	150	250	8900	260	9200	280	9900	270	9600	220	7800
1.39	200	330	11700	320	11300	345	12200	350	12400	330	11700
2.08	300	450	15900	450	15900	470	16600	495	17500	480	17000
3.47	500	490	17400	690	24400	700	24800	790	27900	800	28300
5.21	750	-	-	790	27900	790	27900	1000	35400	1150	40700
6.94	1000	-	-	-	-	-	-	1300	46000	1500	53000

Cg = 58 K1= 120

**FT 518 - 1/4 - PM518 LP** flow rate with wide open regulator (100% capacity)

Inlet pressure		Outlet pressure									
		0.06 Mpa / 10 psig		0.13 Mpa / 20 psig		0.2 Mpa / 30 psig		0.41 Mpa / 60 psig		0.86 Mpa / 125 psig	
MPa	psig	Stm <sup>3</sup> /h	Scfh	Stm <sup>3</sup> /h	Scfh	Stm <sup>3</sup> /h	Scfh	Stm <sup>3</sup> /h	Scfh	Stm <sup>3</sup> /h	Scfh
0.69	100	234	8300	234	8300	234	8300	221	7900	-	-
1.04	150	336	11900	336	11900	336	11900	336	11900	245	8700
1.39	200	438	15500	438	15500	438	15500	438	15500	414	14700
2.08	300	643	22700	643	22700	643	22700	643	22700	643	22700
3.47	500	1051	37200	1051	37200	1051	37200	1051	37200	1051	37200
5.21	750	-	-	1562	55200	1562	55200	1562	55200	1562	55200
6.94	1000	-	-	-	-	-	-	2072	73200	2072	73200

Cg = 58 K1= 120

**Note:** Recommended max flow rate are considering multiple factors such as: extend the regulator's life, mitigate the erosion/vibrations for high velocity and to minimize the noise emission.

**Remark:** all capacity stated are considering a stand alone regulator. In case of incorporated accessories a reduction of flow shall be considered.



## FT 518 - 3/8 - PM518 LP - DN 1" | 25 mm

Inlet pressure: from 0.69 MPa [100 psig] to 6.94 MPa [1000 psig]

Outlet pressure: from 0.06 MPa [10 psig] to 0.86 MPa [125 psig]

**FT 518 - 3/8 - PM518 LP** recommended max flow rate for optimal performance

Inlet pressure		Outlet pressure									
		0.06 Mpa / 10 psig		0.13 Mpa / 20 psig		0.2 Mpa / 30 psig		0.41 Mpa / 60 psig		0.86 Mpa / 125 psig	
MPa	psig	Stm <sup>3</sup> /h	Scfh	Stm <sup>3</sup> /h	Scfh	Stm <sup>3</sup> /h	Scfh	Stm <sup>3</sup> /h	Scfh	Stm <sup>3</sup> /h	Scfh
0.69	100	220	7800	250	8900	340	12100	300	10600	-	-
1.04	150	390	13800	380	13500	390	13800	450	15900	400	14200
1.39	200	400	14200	480	17000	430	15200	600	21200	710	25100
2.08	300	-	-	600	21200	720	25500	1000	35400	1080	38200
3.47	500	-	-	700	24800	790	27900	1600	56500	1700	60100
5.21	750	-	-	-	-	1000	35400	1700	60100	2500	88300
6.94	1000	-	-	-	-	-	-	1800	63600	3300	116600

Cg = 115 K1 = 120

**FT 518 - 3/8 - PM518 LP** flow rate with wide open regulator (100% capacity)

Inlet pressure		Outlet pressure									
		0.06 Mpa / 10 psig		0.13 Mpa / 20 psig		0.2 Mpa / 30 psig		0.41 Mpa / 60 psig		0.86 Mpa / 125 psig	
MPa	psig	Stm <sup>3</sup> /h	Scfh	Stm <sup>3</sup> /h	Scfh	Stm <sup>3</sup> /h	Scfh	Stm <sup>3</sup> /h	Scfh	Stm <sup>3</sup> /h	Scfh
0.69	100	464	16400	464	16400	464	16400	439	15500	-	-
1.04	150	667	23600	667	23600	667	23600	667	23600	486	17200
1.39	200	869	30700	869	30700	869	30700	869	30700	821	29100
2.08	300	-	-	1274	45000	1274	45000	1274	45000	1274	45000
3.47	500	-	-	2084	73600	2084	73600	2084	73600	2084	73600
5.21	750	-	-	-	-	2859	101000	3097	109400	3097	109400
6.94	1000	-	-	-	-	-	-	4109	145100	4109	145100

Cg = 115 K1 = 120

**Note:** Recommended max flow rate are considering multiple factors such as: extend the regulator's life, mitigate the erosion/vibrations for high velocity and to minimize the noise emission.

**Remark:** all capacity stated are considering a stand alone regulator. In case of incorporated accessories a reduction of flow shall be considered.

## FT 518 - 1/2 - PM518 LP - DN 1" | 25 mm

Inlet pressure: from 0.69 MPa [100 psig] to 6.94 MPa [1000 psig]

Outlet pressure: from 0.06 MPa [10 psig] to 0.86 MPa [125 psig]

**FT 518 - 1/2 - PM518 LP** recommended max flow rate for optimal performance

Inlet pressure		Outlet pressure									
		0.06 Mpa / 10 psig		0.13 Mpa / 20 psig		0.2 Mpa / 30 psig		0.41 Mpa / 60 psig		0.86 Mpa / 125 psig	
MPa	psig	Stm <sup>3</sup> /h	Scfh	Stm <sup>3</sup> /h	Scfh	Stm <sup>3</sup> /h	Scfh	Stm <sup>3</sup> /h	Scfh	Stm <sup>3</sup> /h	Scfh
0.69	100	360	12800	350	12400	450	15900	360	12800	-	-
1.04	150	400	14200	540	19100	800	28300	500	17700	580	20500
1.39	200	-	-	550	19500	650	23000	630	22300	760	26900
2.08	300	-	-	690	24400	800	28300	1100	38900	1100	38900
3.47	500	-	-	-	-	850	30100	1700	60100	2300	81300
5.21	750	-	-	-	-	-	-	1700	60100	2500	88300
6.94	1000	-	-	-	-	-	-	-	-	2600	91900

Cg = 160 K1= 120

**FT 518 - 1/2 - PM518 LP** flow rate with wide open regulator (100% capacity)

Inlet pressure		Outlet pressure									
		0.06 Mpa / 10 psig		0.13 Mpa / 20 psig		0.2 Mpa / 30 psig		0.41 Mpa / 60 psig		0.86 Mpa / 125 psig	
MPa	psig	Stm <sup>3</sup> /h	Scfh	Stm <sup>3</sup> /h	Scfh	Stm <sup>3</sup> /h	Scfh	Stm <sup>3</sup> /h	Scfh	Stm <sup>3</sup> /h	Scfh
0.69	100	646	22900	646	22900	646	22900	610	21600	-	-
1.04	150	927	32800	927	32800	927	32800	927	32800	676	23900
1.39	200	-	-	1209	42700	1209	42700	1209	42700	1143	40400
2.08	300	-	-	1773	62600	1773	62600	1773	62600	1773	62600
3.47	500	-	-	-	-	2859	101000	2900	102400	2900	102400
5.21	750	-	-	-	-	-	-	4308	152200	4308	152200
6.94	1000	-	-	-	-	-	-	-	-	5717	201900

Cg = 160 K1= 120

**Note:** Recommended max flow rate are considering multiple factors such as: extend the regulator's life, mitigate the erosion/vibrations for high velocity and to minimize the noise emission.

**Remark:** all capacity stated are considering a stand alone regulator. In case of incorporated accessories a reduction of flow shall be considered.



## FT 518 - 3/32 - PM518 HP - DN 1" | 25 mm

Inlet pressure: from 1.04 MPa [150 psig] to 6.94 MPa [1000 psig]

Outlet pressure: from 0.76 MPa [110 psig] to 3.47 MPa [500 psig]

**FT 518 - 3/32 - PM518 HP** recommended max flow rate for optimal performance

Inlet pressure		Outlet pressure									
		0.75 Mpa / 110 psig		1.03 Mpa / 150 psig		1.37 Mpa / 200 psig		2.06 Mpa / 300 psig		3.44 Mpa / 500 psig	
MPa	psig	Stm <sup>3</sup> /h	Scfh	Stm <sup>3</sup> /h	Scfh	Stm <sup>3</sup> /h	Scfh	Stm <sup>3</sup> /h	Scfh	Stm <sup>3</sup> /h	Scfh
1.04	150	39	1400	-	-	-	-	-	-	-	-
1.39	200	48	1700	48	1700	-	-	-	-	-	-
2.08	300	70	2500	75	2700	75	2700	-	-	-	-
2.78	400	105	3800	100	3600	100	3600	100	3600	-	-
3.47	500	110	3900	120	4300	126	4500	128	4600	-	-
5.21	750	165	5900	185	6600	180	6400	188	6700	185	6600
6.94	1000	240	8500	256	9100	250	8900	245	8700	245	8700

Cg = 9 K1= 120

**FT 518 - 3/32 - PM518 HP** flow rate with wide open regulator (100% capacity)

Inlet pressure		Outlet pressure									
		0.75 Mpa / 110 psig		1.03 Mpa / 150 psig		1.37 Mpa / 200 psig		2.06 Mpa / 300 psig		3.44 Mpa / 500 psig	
MPa	psig	Stm <sup>3</sup> /h	Scfh	Stm <sup>3</sup> /h	Scfh	Stm <sup>3</sup> /h	Scfh	Stm <sup>3</sup> /h	Scfh	Stm <sup>3</sup> /h	Scfh
1.04	150	45	1600	-	-	-	-	-	-	-	-
1.39	200	66	2400	58	2100	-	-	-	-	-	-
2.08	300	100	3600	99	3500	92	3300	-	-	-	-
2.78	400	131	4700	131	4700	131	4700	113	4000	-	-
3.47	500	163	5800	163	5800	163	5800	157	5600	-	-
5.21	750	242	8600	242	8600	242	8600	242	8600	226	8000
6.94	1000	322	11400	322	11400	322	11400	322	11400	320	11300

Cg = 9 K1= 120

**Note:** Recommended max flow rate are considering multiple factors such as: extend the regulator's life, mitigate the erosion/vibrations for high velocity and to minimize the noise emission.

**Remark:** all capacity stated are considering a stand alone regulator. In case of incorporated accessories a reduction of flow shall be considered.

## FT 518 - 1/8 - PM518 HP - DN 1" | 25 mm

Inlet pressure: from 1.04 MPa [150 psig] to 6.94 MPa [1000 psig]

Outlet pressure: from 0.76 MPa [110 psig] to 3.47 MPa [500 psig]

**FT 518 - 1/8 - PM518 HP** recommended max flow rate for optimal performance

Inlet pressure		Outlet pressure									
		0.75 Mpa / 110 psig		1.03 Mpa / 150 psig		1.37 Mpa / 200 psig		2.06 Mpa / 300 psig		3.44 Mpa / 500 psig	
MPa	psig	Stm <sup>3</sup> /h	Scfh	Stm <sup>3</sup> /h	Scfh	Stm <sup>3</sup> /h	Scfh	Stm <sup>3</sup> /h	Scfh	Stm <sup>3</sup> /h	Scfh
1.04	150	60	2200	-	-	-	-	-	-	-	-
1.39	200	85	3100	90	3200	-	-	-	-	-	-
2.08	300	110	3900	140	5000	140	5000	-	-	-	-
2.78	400	153	5500	180	6400	185	6600	175	6200	-	-
3.47	500	200	7100	220	7800	225	8000	228	8100	-	-
5.21	750	300	10600	330	11700	340	12100	340	12100	330	11700
6.94	1000	450	15900	450	15900	450	15900	455	16100	430	15200

Cg = 16 K1= 120

**FT 518 - 1/8 - PM518 HP** flow rate with wide open regulator (100% capacity)

Inlet pressure		Outlet pressure									
		0.75 Mpa / 110 psig		1.03 Mpa / 150 psig		1.37 Mpa / 200 psig		2.06 Mpa / 300 psig		3.44 Mpa / 500 psig	
MPa	psig	Stm <sup>3</sup> /h	Scfh	Stm <sup>3</sup> /h	Scfh	Stm <sup>3</sup> /h	Scfh	Stm <sup>3</sup> /h	Scfh	Stm <sup>3</sup> /h	Scfh
1.04	150	80	2900	-	-	-	-	-	-	-	-
1.39	200	118	4200	102	3700	-	-	-	-	-	-
2.08	300	177	6300	176	6300	164	5800	-	-	-	-
2.78	400	234	8300	234	8300	232	8200	200	7100	-	-
3.47	500	290	10300	290	10300	290	10300	280	9900	-	-
5.21	750	431	15300	431	15300	431	15300	431	15300	401	14200
6.94	1000	572	20200	572	20200	572	20200	572	20200	569	20100

Cg = 16 K1= 120

**Note:** Recommended max flow rate are considering multiple factors such as: extend the regulator's life, mitigate the erosion/vibrations for high velocity and to minimize the noise emission.

**Remark:** all capacity stated are considering a stand alone regulator. In case of incorporated accessories a reduction of flow shall be considered.



## FT 518 - 3/16 - PM518 HP - DN 1" | 25 mm

Inlet pressure: from 1.04 MPa [150 psig] to 6.94 MPa [1000 psig]

Outlet pressure: from 0.76 MPa [110 psig] to 3.47 MPa [500 psig]

**FT 518 - 3/16 - PM518 HP** recommended max flow rate for optimal performance

Inlet pressure		Outlet pressure									
		0.75 Mpa / 110 psig		1.03 Mpa / 150 psig		1.37 Mpa / 200 psig		2.06 Mpa / 300 psig		3.44 Mpa / 500 psig	
MPa	psig	Stm <sup>3</sup> /h	Scfh	Stm <sup>3</sup> /h	Scfh	Stm <sup>3</sup> /h	Scfh	Stm <sup>3</sup> /h	Scfh	Stm <sup>3</sup> /h	Scfh
1.04	150	137	4900	-	-	-	-	-	-	-	-
1.39	200	190	6800	200	7100	-	-	-	-	-	-
2.08	300	280	9900	310	11000	310	11000	-	-	-	-
2.78	400	400	14200	405	14400	405	14400	380	13500	-	-
3.47	500	460	16300	500	17700	490	17400	480	17000	-	-
5.21	750	680	24100	750	26500	740	26200	740	26200	760	26900
6.94	1000	935	33100	970	34300	1010	35700	980	34700	980	34700

Cg = 34 K1= 120

**FT 518 - 3/16 - PM518 HP** flow rate with wide open regulator (100% capacity)

Inlet pressure		Outlet pressure									
		0.75 Mpa / 110 psig		1.03 Mpa / 150 psig		1.37 Mpa / 200 psig		2.06 Mpa / 300 psig		3.44 Mpa / 500 psig	
MPa	psig	Stm <sup>3</sup> /h	Scfh	Stm <sup>3</sup> /h	Scfh	Stm <sup>3</sup> /h	Scfh	Stm <sup>3</sup> /h	Scfh	Stm <sup>3</sup> /h	Scfh
1.04	150	169	6000	-	-	-	-	-	-	-	-
1.39	200	251	8900	218	7700	-	-	-	-	-	-
2.08	300	377	13400	374	13200	348	12400	-	-	-	-
2.78	400	496	17600	496	17600	493	17500	425	15100	-	-
3.47	500	616	21800	616	21800	616	21800	595	21000	-	-
5.21	750	916	32400	916	32400	916	32400	916	32400	853	30200
6.94	1000	1215	42900	1215	42900	1215	42900	1215	42900	1209	42700

Cg = 34 K1= 120

**Note:** Recommended max flow rate are considering multiple factors such as: extend the regulator's life, mitigate the erosion/vibrations for high velocity and to minimize the noise emission.

**Remark:** all capacity stated are considering a stand alone regulator. In case of incorporated accessories a reduction of flow shall be considered.

## FT 518 - 1/4 - PM518 HP - DN 1" | 25 mm

Inlet pressure: from 1.04 MPa [150 psig] to 6.94 MPa [1000 psig]

Outlet pressure: from 0.76 MPa [110 psig] to 3.47 MPa [500 psig]

### FT 518 - 1/4 - PM518 HP recommended max flow rate for optimal performance

Inlet pressure		Outlet pressure									
		0.75 Mpa / 110 psig		1.03 Mpa / 150 psig		1.37 Mpa / 200 psig		2.06 Mpa / 300 psig		3.44 Mpa / 500 psig	
MPa	psig	Stm <sup>3</sup> /h	Scfh	Stm <sup>3</sup> /h	Scfh	Stm <sup>3</sup> /h	Scfh	Stm <sup>3</sup> /h	Scfh	Stm <sup>3</sup> /h	Scfh
1.04	150	195	6900	-	-	-	-	-	-	-	-
1.39	200	295	10500	320	11300	-	-	-	-	-	-
2.08	300	440	15600	500	17700	535	18900	-	-	-	-
2.78	400	600	21200	650	23000	710	25100	670	23700	-	-
3.47	500	720	25500	830	29400	910	32200	920	32500	-	-
5.21	750	980	34700	1300	46000	1340	47400	1360	48100	1350	47700
6.94	1000	1700	60100	1560	55100	1800	63600	1760	62200	1780	62900

Cg = 58 K1= 120

### FT 518 - 1/4 - PM518 HP flow rate with wide open regulator (100% capacity)

Inlet pressure		Outlet pressure									
		0.75 Mpa / 110 psig		1.03 Mpa / 150 psig		1.37 Mpa / 200 psig		2.06 Mpa / 300 psig		3.44 Mpa / 500 psig	
MPa	psig	Stm <sup>3</sup> /h	Scfh	Stm <sup>3</sup> /h	Scfh	Stm <sup>3</sup> /h	Scfh	Stm <sup>3</sup> /h	Scfh	Stm <sup>3</sup> /h	Scfh
1.04	150	289	10200	-	-	-	-	-	-	-	-
1.39	200	428	15200	371	13200	-	-	-	-	-	-
2.08	300	643	22700	638	22600	594	21000	-	-	-	-
2.78	400	847	30000	847	30000	841	29800	725	25700	-	-
3.47	500	1051	37200	1051	37200	1051	37200	1014	35900	-	-
5.21	750	1562	55200	1562	55200	1562	55200	1562	55200	1454	51400
6.94	1000	2072	73200	2072	73200	2072	73200	2072	73200	2062	72900

Cg = 58 K1= 120

**Note:** Recommended max flow rate are considering multiple factors such as: extend the regulator's life, mitigate the erosion/vibrations for high velocity and to minimize the noise emission.

**Remark:** all capacity stated are considering a stand alone regulator. In case of incorporated accessories a reduction of flow shall be considered.



## FT 518 - 3/8 - PM518 HP - DN 1" | 25 mm

Inlet pressure: from 1.04 MPa [150 psig] to 6.94 MPa [1000 psig]

Outlet pressure: from 0.76 MPa [110 psig] to 3.47 MPa [500 psig]

**FT 518 - 3/8 - PM518 HP** recommended max flow rate for optimal performance

Inlet pressure		Outlet pressure									
		0.75 Mpa / 110 psig		1.03 Mpa / 150 psig		1.37 Mpa / 200 psig		2.06 Mpa / 300 psig		3.44 Mpa / 500 psig	
MPa	psig	Stm <sup>3</sup> /h	Scfh	Stm <sup>3</sup> /h	Scfh	Stm <sup>3</sup> /h	Scfh	Stm <sup>3</sup> /h	Scfh	Stm <sup>3</sup> /h	Scfh
1.04	150	330	11700	-	-	-	-	-	-	-	-
1.39	200	500	17700	590	20900	-	-	-	-	-	-
2.08	300	640	22600	815	28800	910	32200	-	-	-	-
2.78	400	1080	38200	1030	36400	1290	45600	1200	42400	-	-
3.47	500	1360	48100	1400	49500	1650	58300	1550	54800	-	-
5.21	750	1775	62700	1950	68900	1860	65700	2300	81300	2100	74200
6.94	1000	2340	82700	2900	102400	3160	111600	3150	111300	3340	118000

Cg = 115 K1= 120

**FT 518 - 3/8 - PM518 HP** flow rate with wide open regulator (100% capacity)

Inlet pressure		Outlet pressure									
		0.75 Mpa / 110 psig		1.03 Mpa / 150 psig		1.37 Mpa / 200 psig		2.06 Mpa / 300 psig		3.44 Mpa / 500 psig	
MPa	psig	Stm <sup>3</sup> /h	Scfh	Stm <sup>3</sup> /h	Scfh	Stm <sup>3</sup> /h	Scfh	Stm <sup>3</sup> /h	Scfh	Stm <sup>3</sup> /h	Scfh
1.04	150	572	20300	-	-	-	-	-	-	-	-
1.39	200	849	30000	736	26100	-	-	-	-	-	-
2.08	300	1274	45000	1264	44700	1178	41700	-	-	-	-
2.78	400	1679	59300	1679	59300	1668	58900	1438	50800	-	-
3.47	500	2084	73600	2084	73600	2084	73600	2011	71100	-	-
5.21	750	3097	109400	3097	109400	3097	109400	3097	109400	2884	101900
6.94	1000	4109	145100	4109	145100	4109	145100	4109	145100	4088	144400

Cg = 115 K1= 120

**Note:** Recommended max flow rate are considering multiple factors such as: extend the regulator's life, mitigate the erosion/vibrations for high velocity and to minimize the noise emission.

**Remark:** all capacity stated are considering a stand alone regulator. In case of incorporated accessories a reduction of flow shall be considered.



## FT 518 - 1/2 - PM518 HP - DN 1" | 25 mm

Inlet pressure: from 1.04 MPa [150 psig] to 6.94 MPa [1000 psig]

Outlet pressure: from 0.76 MPa [110 psig] to 3.47 MPa [500 psig]

**FT 518 - 1/2 - PM518 HP** recommended max flow rate for optimal performance

Inlet pressure		Outlet pressure									
		0.75 Mpa / 110 psig		1.03 Mpa / 150 psig		1.37 Mpa / 200 psig		2.06 Mpa / 300 psig		3.44 Mpa / 500 psig	
MPa	psig	Stm <sup>3</sup> /h	Scfh	Stm <sup>3</sup> /h	Scfh	Stm <sup>3</sup> /h	Scfh	Stm <sup>3</sup> /h	Scfh	Stm <sup>3</sup> /h	Scfh
1.04	150	450	15900	-	-	-	-	-	-	-	-
1.39	200	700	24800	670	23700	-	-	-	-	-	-
2.08	300	830	29400	930	32900	1050	37100	-	-	-	-
2.78	400	1220	43100	1150	40700	1400	49500	1360	49434	-	-
3.47	500	1440	50900	1510	53400	1780	62900	1880	81919	-	-
5.21	750	-	-	-	-	-	-	2560	88275	2300	81300
6.94	1000	-	-	-	-	-	-	3450	98868	3500	123600

Cg = 58 K1= 120

**FT 518 - 1/2 - PM518 HP** flow rate with wide open regulator (100% capacity)

Inlet pressure		Outlet pressure									
		0.75 Mpa / 110 psig		1.03 Mpa / 150 psig		1.37 Mpa / 200 psig		2.06 Mpa / 300 psig		3.44 Mpa / 500 psig	
MPa	psig	Stm <sup>3</sup> /h	Scfh	Stm <sup>3</sup> /h	Scfh	Stm <sup>3</sup> /h	Scfh	Stm <sup>3</sup> /h	Scfh	Stm <sup>3</sup> /h	Scfh
1.04	150	896	31700	-	-	-	-	-	-	-	-
1.39	200	1329	47000	1153	40800	-	-	-	-	-	-
2.08	300	1994	70500	1979	69900	1845	65200	-	-	-	-
2.78	400	2628	92900	2628	92900	2611	92200	2251	79500	-	-
3.47	500	3262	115200	3262	115200	3262	115200	3148	111200	-	-
5.21	750	-	-	-	-	-	-	4847	171200	4513	159400
6.94	1000	-	-	-	-	-	-	6432	227200	6399	226000

Cg = 58 K1= 120

**Note:** Recommended max flow rate are considering multiple factors such as: extend the regulator's life, mitigate the erosion/vibrations for high velocity and to minimize the noise emission.

**Remark:** all capacity stated are considering a stand alone regulator. In case of incorporated accessories a reduction of flow shall be considered.



# Pietro Fiorentini

**TB0051USA**



The data is not binding. We reserve the right  
to make changes without prior notice.

ft518\_technicalbrochure\_USA\_revB

[www.fiorentini.com](http://www.fiorentini.com)