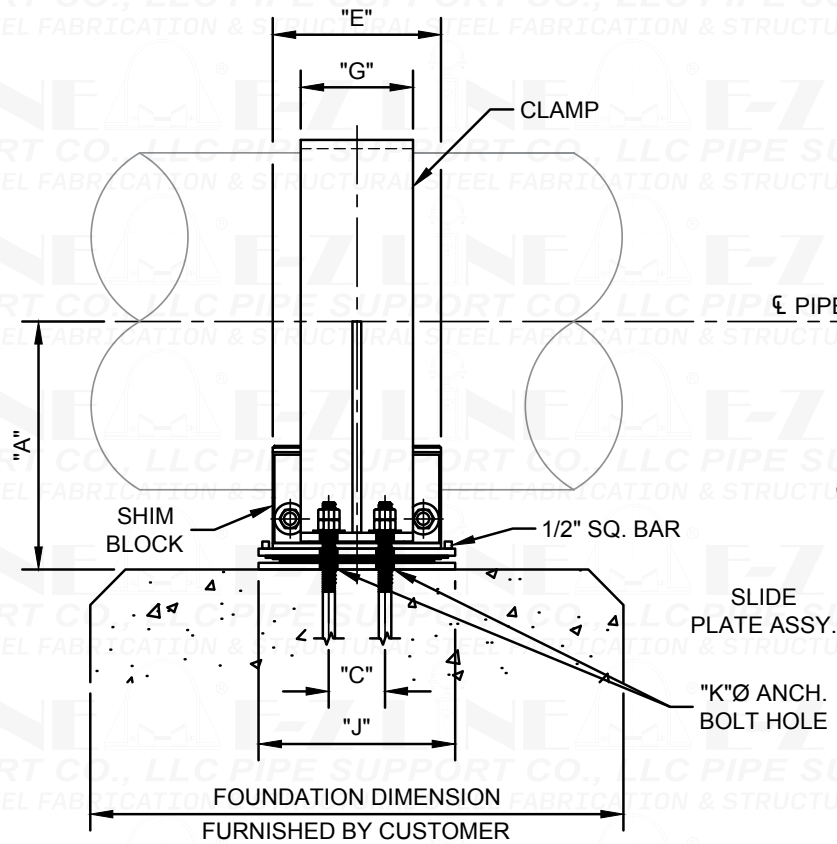
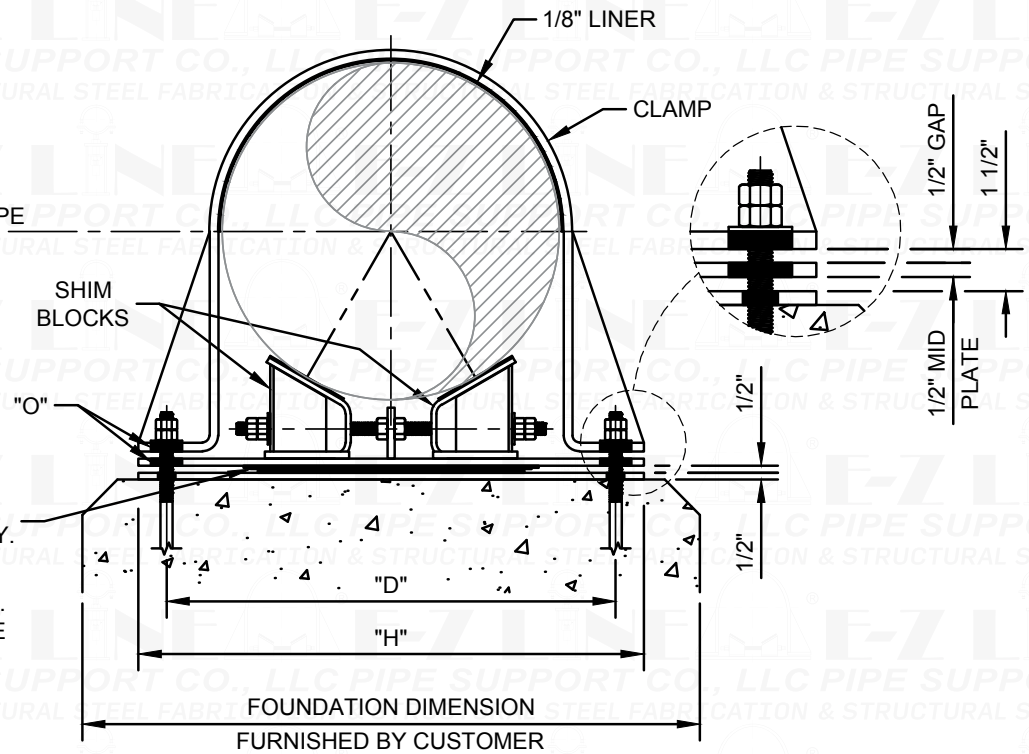


CSBSP-02

CLAMP AND SHIM BLOCK W/ SLIDE PLATE ASSEMBLY



ELEVATION AT PIPE SUPPORT



SECTION THRU PIPE AT SUPPORT