

# SUPERGUN® PUMP PARTS LIST



A CMC MATERIALS COMPANY

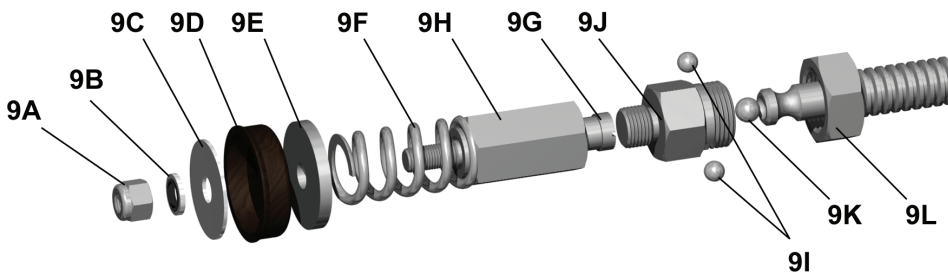
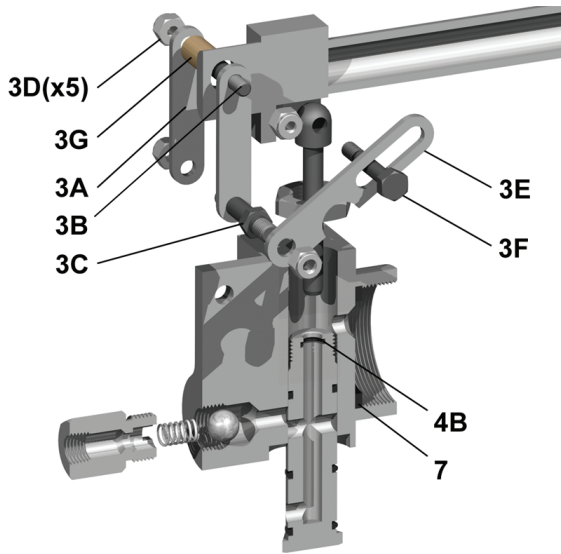
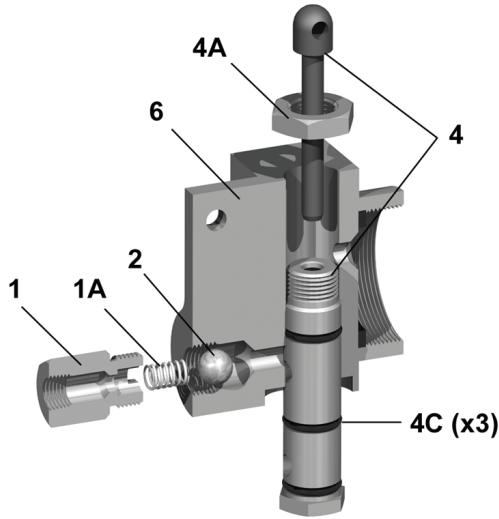


Illustration #	Description	Order Part #	Qty. Req'd
1	FLOW WOLF® Check Valve Nut	R-SG-16	1
1A	Check Valve Spring	R-SG-01A	1
2	Ball - 1/2"	R-SG-16A	1
3	Linkage Assembly	R-SG-17	1
3A	Harness Links	R-SG-17A	2
3B	Handle Pin	R-SG-17B1	1
3C	Head Pin	R-SG-17B3	1
3D	NyLock Nuts	R-SG-17C	5
3E	Fulcrum Link	R-SG-18A	1
3F	Fulcrum Bolt	R-SG-18B	1
3G	Handle Bushing	R-SG-03A	1
4	Piston Cartridge Assembly	R-SG-02	1
4A	Body Nut	R-SG-02C	1
4B	Piston O-Ring - Nitrile	R-SG-02D	1
4C	Piston Body O-Rings - Nitrile	R-SG-02E	3
5	Handle	R-SG-03	1
6	Head - Bare	R-SG-01	1
7	Barrel Gasket	R-SG-07A	1
8	Sealant Barrel	R-SG-07	1
9	Primer Rod Assembly	R-SG-19	1
9A	End Nut	R-SG-19A	1
9B	Bonded Seal - 3/8"	R-SG-19B2	1
9C	Small Cup Washer	R-SG-19C	1
9D	Leather Cup	R-SG-19D	1
9E	Large Cup Washer	R-SG-19E	1
9F	Spring	R-SG-19F	1
9G	Shaft	R-SG-19G	1
9H	Shaft Body Nut	R-SG-19H	1
9I	Shaft Bearings - 5/16" Diameter	R-SG-19I	2
9J	Shaft End Nut	R-SG-19J	1
9K	Rod Bearing - 3/8" Diameter	R-SG-06B	1
9L	Rod Nut	R-SG-06C	1



# SUPERGUN® PUMP PARTS LIST (continued)

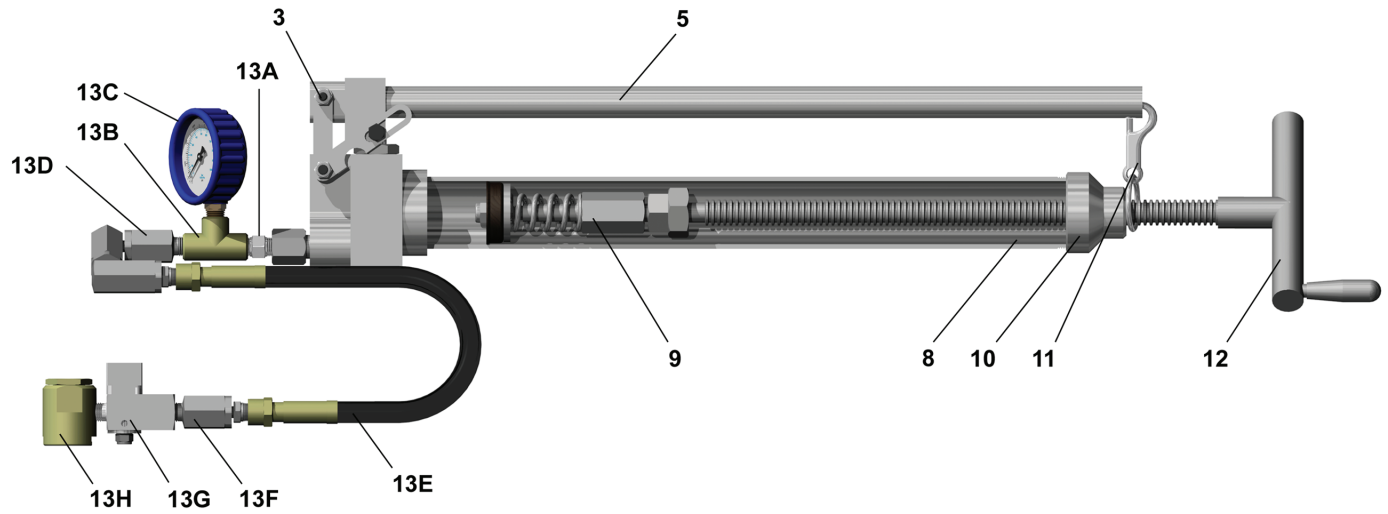


Illustration #	Description	Order Part #	Qty. Req'd
10	End Cap	R-SG-05	1
11	Handle Clasp and Ring	R-SG-04	1
12	Primer Rod Crank	R-SG-06A	1
13	SuperGun Pump Hose Assembly - Complete	H-S-HOSE	
13A	Adapter - 1/4" Male X 1/4" Male	H-AD-4M4M	1
13B	High Pressure TEE 1/4" F X 1/4" F X 1/4" F	H-T-444	1
13C	High Pressure Gauge Assembly - 15,000 PSI	H-GD-01C	1
13D	'Z' Swivel 1/4" Male X 1/2" - 27 Male	H-SV-Z1	1
13E	Extra High Pressure Hose - 18"	H-HS-18XHP	1
13F	Straight Swivel 1/4" Male X 1/2"-27 Male	H-SV-ST1	1
13G	Release Valve 1/4" Male X 1/4" Female	H-RVAB	1
13H	Sealweld® Giant Buttonhead Coupler	H-CPSG-2	1
Optional Accessories			
	Oversized Piston Assembly	R-SG-02LP	1
	Plastic Carrying Case	B-PC-SG	1