



*Built on Quality - Focused on Innovation*

# PRODUCT CATALOG

# TABLE OF CONTENTS

## Accessories

*Pages 51-68*

<u>VALVE SECURITY .....</u>	<u>52-53</u>
<u>Sentinels .....</u>	<u>52</u>
<u>Locking Lids .....</u>	<u>53</u>
<u>LINE MARKERS .....</u>	<u>54</u>
<u>PROTECTION SLEEVES .....</u>	<u>55</u>
<u>STABILIZERS .....</u>	<u>56-57</u>
<u>TOOLS .....</u>	<u>58</u>
<u>ADJ. VALVE BOX ADAPTER .....</u>	<u>59</u>
<u>LEAK DETECTION LIDS .....</u>	<u>60</u>
<u>2½" TRACER WIRE ACCESS BOX .....</u>	<u>61</u>
<u>CATHODIC PROTECTION .....</u>	<u>62-68</u>
<u>2½" Boxes .....</u>	<u>62-63</u>
<u>4" Boxes .....</u>	<u>64-66</u>
<u>5¼" Boxes .....</u>	<u>67-68</u>
<u>WARRANTY.....</u>	<u>70-71</u>

*All measurements in tables are in **inches** or **pounds** unless indicated otherwise.*

*Printed September 2021*



# ACCESSORIES

*All measurements in tables are in **inches** or **pounds** unless indicated otherwise.*



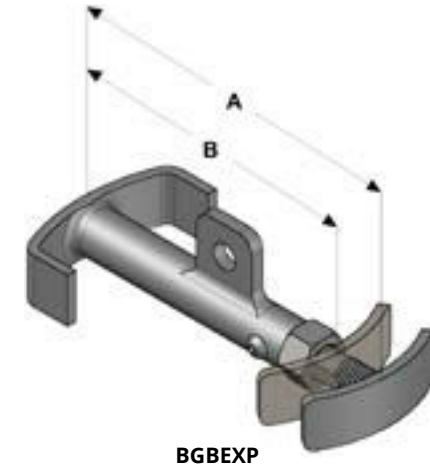
# VALVE SECURITY

## Sentinels - BGB

- Robust protection from unauthorized access, theft, tampering
- Easy lock-out/tag-out protection for utilities and municipalities
- Compatible with all valve boxes
- Made from high-strength carbon steel
- Available as an assembled unit with expander bar and plate attached with a lanyard
- Also available as individual pieces
- Plates available in Yellow, Blue, and Red

## Expander Bar

PART SERIES	A (MAX BOX)	B (MIN BOX)
BGBEXP-04.25	4¼	3⅞
BGBEXP-04.88	4⅞	4¼
BGBEXP-05.63	5⅝	4⅞
BGBEXP-06.50	6½	5⅝
BGBEXP-07.50	7½	6½
BGBEXP-08.75	8¾	7½
BGBEXP-10.50	10½	8¾
BGBEXP-12.75	12¾	10½



## Assembly

PART SERIES	EXPANDER BAR	PLATE	LANYARD INSTALLED	COLOR
BGBA04.25Lx	4.25	3.75	Yes	Blue or Yellow
BGBA04.88Lx	4.88	4.38	Yes	Blue or Yellow
BGBA05.63Lx	5.63	4.88	Yes	Blue or Yellow
BGBA06.50Lx	6.50	5.50	Yes	Blue, Yellow, or Red

## Plate

PART SERIES	PLATE DIAMETER
BGBPLATE-03.75x	3¾
BGBPLATE-04.38x	4⅜
BGBPLATE-04.88x	4⅞
BGBPLATE-05.50x	5½
BGBPLATE-06.50x	6½
BGBPLATE-07.75x	7¾
BGBPLATE-08.50x	8½
BGBPLATE-10.75x	10¾
BGBPLATE-11.50x	11½



TO ORDER BGB - SPECIFY: Part Series, Color

## Universal Locking Lid - LBUL

- Available for 5¼" shaft diameters
- Legs provide positive locking mechanism against side of the valve box
- Tamper resistant
- Minimizes lid ejections

PART SERIES	SHAFT DIAMETER
I5LBUL	5¼



## Phoenix Locking Lid - LBPH

- Available for 5¼" and 7" shaft diameters
- Locking bar secures lid against the underside of rim
- Tamper resistant
- Minimizes lid ejections

PART SERIES	SHAFT DIAMETER
I5LB-L	5¼
I8LBPH	7



## Pentagon Bolt

- Standard Waterworks head and thread
- Standard 17/32" diameter

PART SERIES	MATERIAL	LENGTH
BRASSBOLT	Brass	1¾, 1½, 2¹³⁄₁₆
CORTENBOLT	Corten Steel	1¾, 2¹¹⁄₁₆, 3¾
ALUMBOLT	Aluminum	¾, 1½, 2



# LINE MARKERS

## Line Markers - CTCUL

- High visibility: various colors and lengths available
- Marker and test station combinations available
- Strong and maintenance free
- Superior UV stabilizing
- Customized silk screen lettering available
- Customer to provide graphics and lettering for marker

TYPE	PART SERIES	DESCRIPTION	DIMENSION
Round Markers	503 LM0	Sleeve Only	3.3 Diameter
	503 LM1	Domed Cap	
	503 LM2	Flat Cap	
	533	Test station, Bison Cap	
	713	Test station, Domed Cap	
Accessories	512 DT	Driving Tool for Flat Markers	-

Lengths (in): 60, 66, 72, 78, 84, 90, 96

Colors: Yellow, Blue, White, Green, Orange, Red, Black



503 LM0

503 LM1

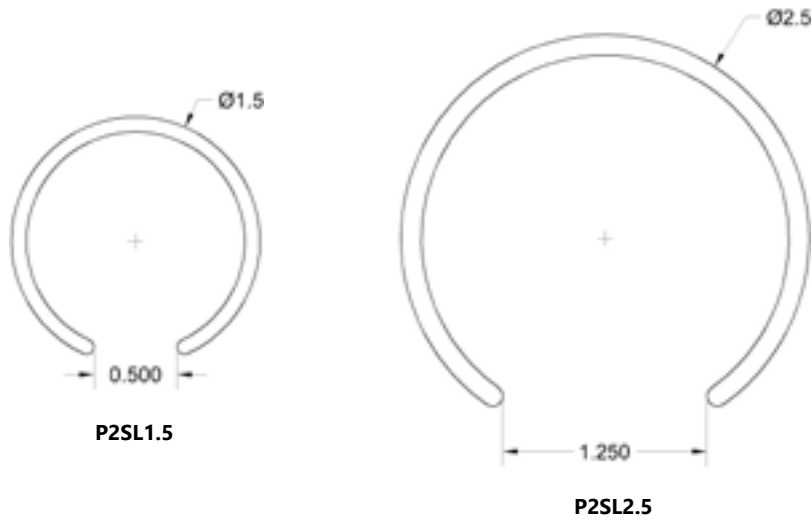
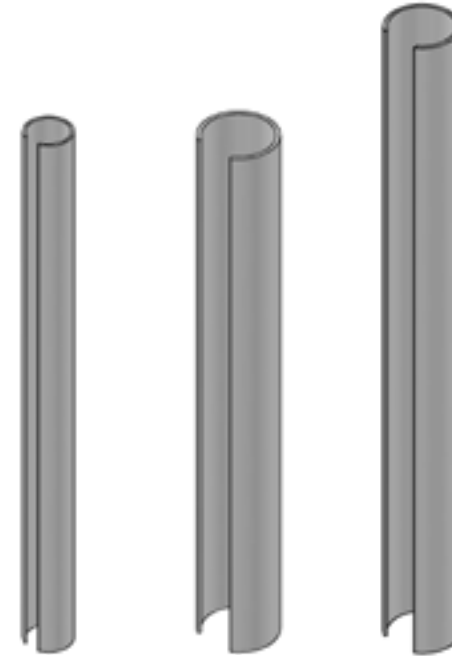
503 LM2



533

## Protection Sleeves - P2SL

- Helps prevent damage to service lines during backfill or dig-in
- Redistributes loads, reducing stress on pipelines
- Manufactured with high-strength, impact-resistant PVC material
- Provides long-term corrosion protection
- Available in grey or yellow



PART SERIES	DIAMETER	LENGTH
P2SL1.5	1½	18
		30
		60
P2SL2.5	2½	18
		24
		30
		60

# STABILIZERS

## Valve Box Stabilizers - ADP

- Minimizes settling and shifting of the valve box or meter pit
- Centers valve box over operating nut
- Helps prevent backfill from entering box
- Protects the epoxy coating of the valve
- Multi-Fit adapters have elongated slots to accommodate numerous valve types
- Multi-Fit adapters available in many sizes

PART SERIES	ADAPTER TYPE	DIAMETER	CENTER HOLE DIAMETER	FITS
ADP-MF	Multi-Fit	6.75-10.3	1.0-3.25	5¼ VB Bottom Sections, 8" PVC & C-900/C-905
ADP-6	#6 Base	18.0-18.9	2.0-3.25	#6 Base
ADP-VBII	VBA II	7.75	n/a	5¼ VB Bottom Sections
ADP-MP	Meter Pit	17.5-23.5	3.25	18, 20 and 24 Injection Molded Meter Pit



ADP-MF



ADP-VBII



ADP-6



ADP-MP



# STABILIZERS

## Common Stabilizers For The Gas Industry - ADP

PART NUMBER	TYPE	FITS	DIAMETER	CENTER HOLE DIAMETER
4001002P	Multi-Fit	5¼ VB Bottom Sections (8 O.D.), Poly Valve	9.9	3.25
5001002S	Multi-Fit	5¼ VB Bottom Sections (8 O.D.), Poly Valve	9.9	2.00
4001006P	#6 Base	#6 Base with Poly Valve	18.0	3.25
5001006S	#6 Base	#6 Base with Poly Valve	18.0	2.00
4001006PGB	#6 Base	#6 Base with Geared Broan Valve	18.0	3.25
4001006PGC	#6 Base	#6 Base with Geared Cameron Valve	18.0	3.25
4001006PGK	#6 Base	#6 Base with Geared Kerotest Valve	17.8	n/a



**4001006PGB**



**4001006PGC**



**4001006PGK**

## Meter Box Hand Key - BTT0200

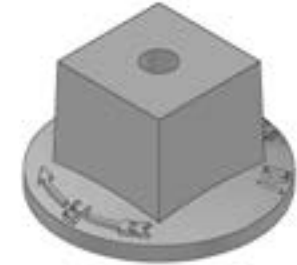
- For use with pentabolts



**BTT0200**

## 2" Replacement Operating Nut - BTTALM

FITS	WEIGHT
3/4" Stem (4" Ductile Iron)	2
7/8" Stem (6" Ductile Iron)	2
1" Stem (8" Ductile Iron)	2
1 1/4" Stem (12" Ductile Iron)	2



**BTTALM**

## Lid Lifter - ETD

- Safe, practical alternative for valve box lid removal
- Manufactured from high-strength carbon steel
- 25" Extension handle enables easier lid removal

PART SERIES	DESCRIPTION	COLORS
ETD4LL	4 Valve Boxes	Yellow
ETD5LL	5 1/4 Valve Boxes	
ETDUVCL	Adjustable 5 1/4-12 1/2	
ETD325	25 extension Handle	



**ETD4LL and ETD5LL**



**ETDUVCL**



**ETD325**

## Adjustable Valve Box Adapter - P05A

- Fits 6" PVC and 6" C-900 pipe
- Lightweight and easy to install
- Thick wall ABS plastic
- Reduces the need to cut pipe to exact heights
- Allows for minor adjustments



**6625**  
Fits 6" PVC



**6900**  
Fits 6" C-900 Pipe



**Assembly**  
Shown with Cast Iron  
Top Section & Lid

# LEAK DETECTION LIDS

## Cast Iron and Plastic Lids

- Plastic insert houses T-antennae or button antennae
- Cast iron ring provides weight to resist dislodging



**I5LPI**  
Fits 5 1/4" Valve Box



**I7LPI**  
Fits 7" Valve Box



**I12LPI**  
Fits 12" Cleanout

PART SERIES	TYPE	CAST IRON DIAMETER	PLASTIC DIAMETER	DESCRIPTION
I5LPI	Cast Iron and Plastic	7.5	5.3	Fits 5 1/4" valve box
I7LPI		8.6	5.3	Fits 7" valve box
I12LPI		13.25	5.3	Fits 12" clean out
CUL5LMXU	Cast Iron Recessed Thru Hole	7.5	n/a	Fits 5 1/4" valve box
CUL5LRDAMI		7.5	n/a	Fits 5 1/4" valve box

## Cast Iron Recessed Thru Hole Lids

- Cast iron lids with thru-holes allow for thru-hole mount
- Circular or oblong hole
- Custom cast iron sizes and lettering available



**CUL5LRDAMI**



**CUL5LMXU**

## 2½" Tracer Wire Access Boxes

### P2B200NFG

- Provides direct connections to tracer wire
- Two terminal board connected below the lid

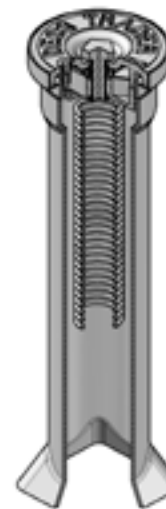
PART SERIES	TOP	BOTTOM	EXT
P2B200NFG	12	-	-
	15	-	-
	12	12	14-21
P2BCNG	15	-	-
	18	-	-
	15	15	18-27

### P2BCNG (Buffalo Style)

- Provides direct connection to tracer wire
- Single terminal on lid
- Does not require removal of lid to take reading
- Heavy duty rims available for roadway installation
- Available with or without 10' coiled tracer wire



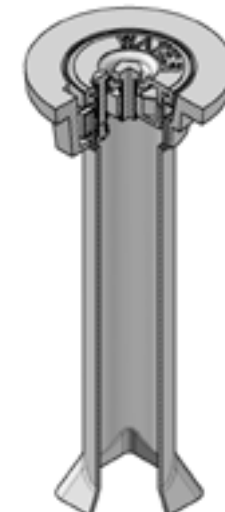
**P2B200NFG**



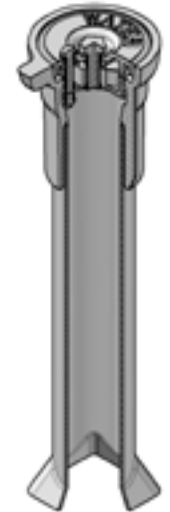
**P2BCNGTRC**  
With 10' Coiled  
tracer wire



**P2B202CNG**  
Light Duty



**P2B202CNGLGE**  
Concrete Installs



**P2B202CNGHVY**  
Asphalt Installs

# 2½" CATHODIC PROTECTION

## 2½" Shaft Cathodic Protection Test Boxes

- Bottom is flared circular or square
- Terminal jumpers available
- Custom lettering available on lids

PART SERIES	ACTUAL SHAFT DIAMETER	LID DIAMETER	NUMBER OF TERMINALS	APPROX WEIGHT
P2B202CNG	2.4	3.5	0-5	2
P2B200NFG	2.7	3.3	0-5	3
P2B200	2.5	4.2	0-3	3

### P2B202CNG

- Cast iron or plastic lids available
- Terminal test stations
- Permanent magnet installed for locating

TOP	BOTTOM	EXT
15	-	-
18	-	-
10	15	18-23
15	15	18-27



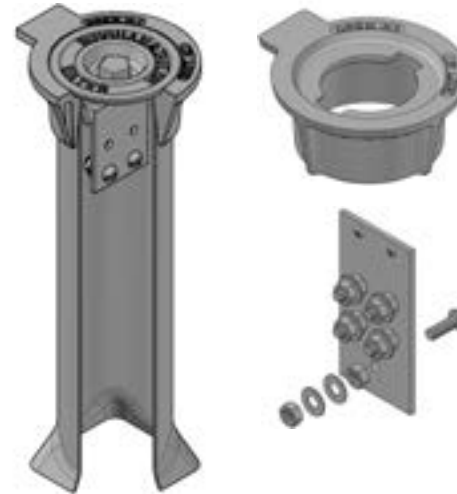
P2B202CNG

# 2½" CATHODIC PROTECTION

## P2B200NFG

- Drop Turn Locking Lid
- Cast iron rim, ABS plastic body

TOP	BOTTOM	EXT
12	-	-
15	-	-
18	-	-
24	-	-
36	-	-
12	12	14-21
12	18	20-27
18	24	26-39
26	36	38-59

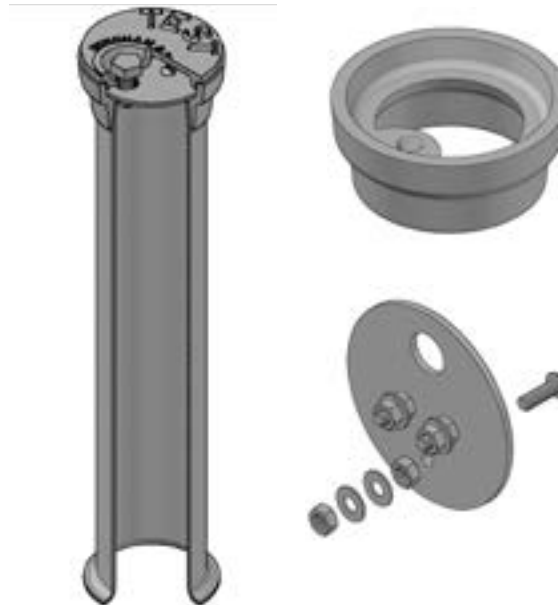


P2B200NFG

## P2B200

- Cast iron lid with pentagon bolt locking lid
- Cast iron rim, ABS plastic body
- Terminal block available beneath the lid

TOP	BOTTOM	EXT
18	-	-
24	-	-



P2B200

# 4" CATHODIC PROTECTION

## 4" Shaft Cathodic Protection Test Boxes

- Cast iron rim, ABS plastic body
- Bottom is flared circular
- Custom lettering available on lids

PART SERIES	ACTUAL SHAFT DIAMETER	LID DIAMETER	NUMBER OF TERMINALS	APPROX WEIGHT
P4B334DT	3.3	4.7	0-7	6
P4B445DT	4.1	4.8	0-5	8
P4B106	4.1	4.7	N/A	15
P4BHWL	4.0	5.1	0-5	7
P4BHHD	4.0	5.1	0-5	14

### P4B334DT

- Cast iron drop turn locking lid
- Terminal jumpers available

TOP	BOTTOM	EXT
12	-	-
18	-	-
18	18	20-33



P4B334DT



# 4" CATHODIC PROTECTION

## P4B445DT

- Cast iron drop turn locking lid
- Terminal jumpers available

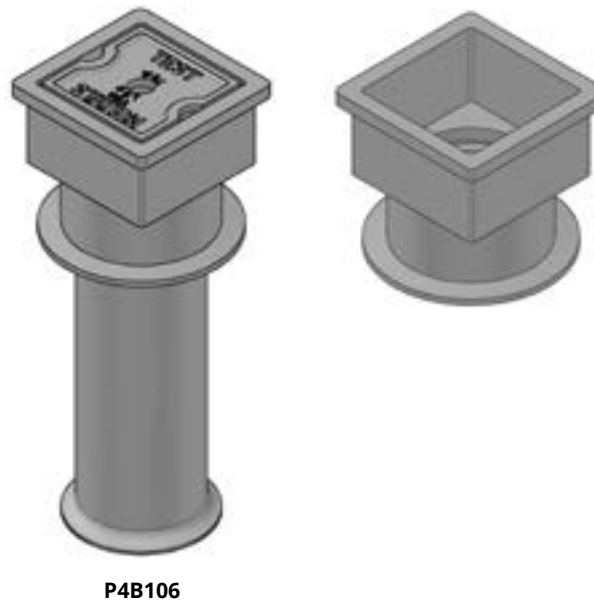
TOP	BOTTOM	EXT
12	-	-
18	-	-
24	-	-
36	-	-
18	18	20-33
24	24	27-45
36	36	39-69



## P4B106

- Square cast iron drop in lid

TOP	BOTTOM	EXT
18	-	-

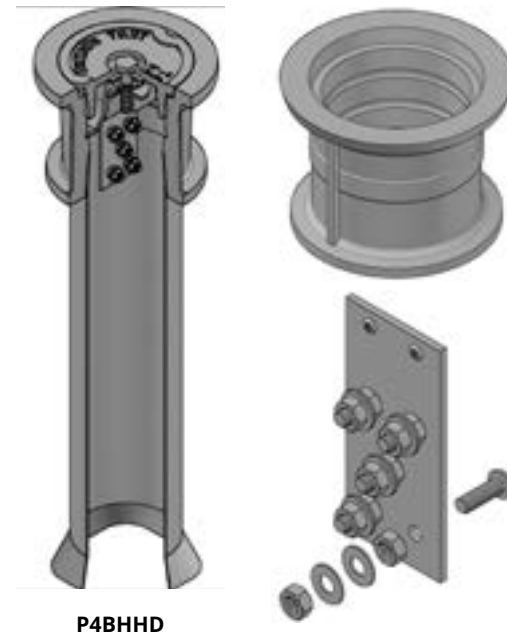


# 4" CATHODIC PROTECTION

## P4BHHD

- One-piece locking lid
- Heavy duty cast iron rim
- Suitable for roadway use
- ABS plastic body
- Terminal jumpers available

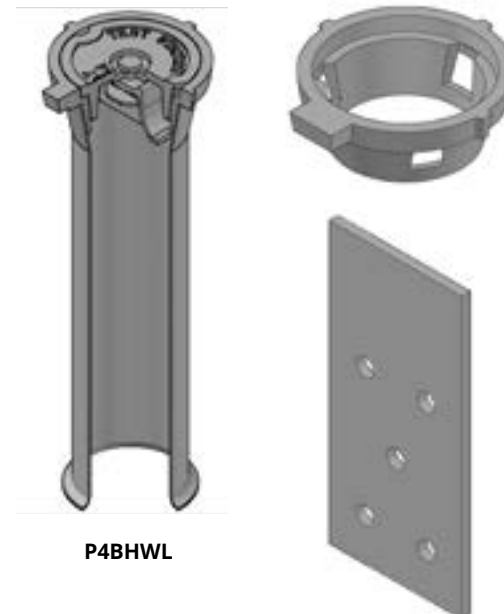
TOP	BOTTOM	EXT
18	-	-
24	-	-
36	-	-
48	-	-



## P4BHWL

- One piece locking lid with center bolt
- Terminal jumpers available

TOP	BOTTOM	EXT
18	-	-



## 5 1/4" Shaft Cathodic Protection Test Boxes

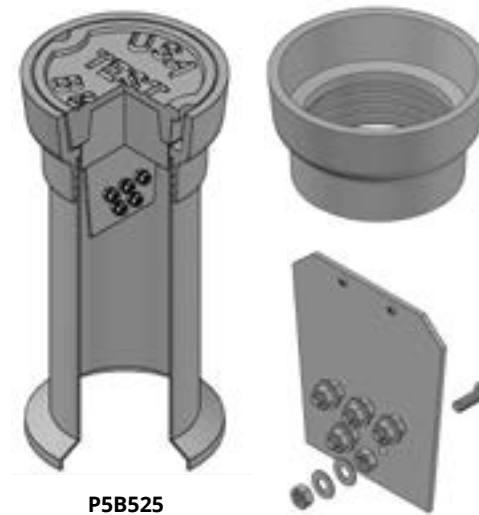
- Suitable for roadway use
- ABS plastic body
- Bottom is flared circular
- Terminal Jumpers available
- Custom lettering available on lids

PART SERIES	ACTUAL SHAFT DIAMETER	LID DIAMETER	NUMBER OF TERMINALS	APPROX WEIGHT
P5B525	5.9	7.4	0-8	26
P5BNM5	5.1	5.9	0-10	15
P5B668DT	5.9	6.4	0-7	23

### P5B525

- Heavy duty cast iron rim with drop in lid
- Paving risers available 1"-6"

TOP	BOTTOM	EXT
18	-	-



# 5½" CATHODIC PROTECTION

## P5BNM5

- Heavy duty cast iron rim with drop turn and drop in lids
- Paving risers available stackable 1"

TOP	BOTTOM	EXT
18	-	-
24	-	-
18	18	21-33

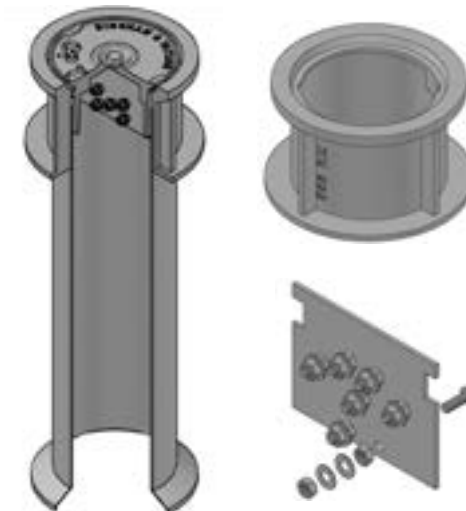


P5BNM5

## P5B668DT

- Heavy duty cast iron rim with drop turn locking lid

TOP	BOTTOM	EXT
18	-	-
24	-	-
24	24	30-46



P5B668DT



# WARRANTY

## **Bingham & Taylor Commitment to Our Customers**

The Bingham & Taylor family of employees is dedicated to providing you, our customers, with the highest quality products, support and service to successfully satisfy your requirements. Our service is fast and dependable, our prices are competitive and reasonable. We have been in continuous business since 1849 serving water and gas industries. Associate member of the American Water Works Association since 1882, member of the Water and Wastewater Equipment Manufacturers Association, Inc., and associate member of the American Gas Association.

---

## **Bingham & Taylor Corp. Limited Warranty**

**Effective July 1, 2021**

Subject to the terms and conditions of this Limited Warranty, Bingham & Taylor Corp. ("Bingham & Taylor") warrants to the buyer that the Bingham & Taylor products listed below shall be free from defects in materials and workmanship, under normal conditions of use when sold as part of a Bingham & Taylor meter or valve access system.

Unless otherwise specified, this Limited Warranty for the applicable Bingham & Taylor products listed below shall begin on the date the product is sold to the buyer ("Commencement Date") and will expire after the following number of years:

- (a) Fifty (50) years for Bingham & Taylor cast iron and plastic valve boxes, lids, extensions, and bases when all are sold and used in combination with other Bingham & Taylor components;
- (b) Five (5) years for Bingham & Taylor injection molded meter pits and meter lids when all are sold and used in combination with other Bingham & Taylor components;
- (c) One (1) year for Bingham & Taylor cast iron, plastic, and injection molded products when sold or used in combination with non-Bingham & Taylor components;
- (d) One (1) year for any other Bingham & Taylor product not covered in (a) – (c) above.

### **Exclusions from Limited Warranty:**

This limited warranty applies only if the applicable Bingham & Taylor products identified above:

- (a) are selected, configured and sold by a certified reseller recognized by Bingham & Taylor;
- (b) remain in their originally sold location;
- (c) are used only for the purpose of providing access to underground utilities;
- (d) are not misused, tampered with, mishandled, neglected, or accidentally damaged;
- (e) are not modified or repaired without the prior written approval of Bingham & Taylor;
- (f) are sold and used in accordance with applicable laws, rules, regulations and code requirements.

Without limiting the foregoing exclusions, this limited warranty does not apply if the product failure or resulting damage is caused by:

- (a) faulty installation;
- (b) components not manufactured or sold by Bingham & Taylor;
- (c) external physical or chemical conditions;
- (d) any abnormal operating conditions; or
- (e) damages incurred through secondary construction activities, roadwork, repaving, or excavation.

This limited warranty is not transferable by the buyer of the applicable Bingham & Taylor product.

**Warranty Claim Process:**

If the buyer of a Bingham & Taylor product which is subject to the limited warranty desires to make a breach of warranty claim, the buyer must provide written notification describing the alleged failure or defect to Bingham & Taylor, Attn: Warranty Department, 601 Nalle Place, Culpeper, VA 22701, within thirty (30) days after detection of the alleged failure or defect occurring within the applicable warranty period. The failure to give such written notice during such time voids the limited warranty with respect to such claim. All products alleged to have failed or to be defective must be sent to Bingham & Taylor for inspection and testing for determination of the cause of the alleged failure or defect.

**Exclusive Remedies:**

If Bingham & Taylor determines that a product which is subject to the limited warranty has failed or is defective within the applicable warranty period, Bingham & Taylor's liability is limited, at the option of Bingham & Taylor, to: issuing a refund of the purchase price paid by the buyer for the defective product or to repairing or replacing the defective product. BINGHAM & TAYLOR SHALL NOT HAVE ANY RESPONSIBILITY FOR LOSSES, EXPENSES OR SPECIAL, INDIRECT, SECONDARY, INCIDENTAL OR CONSEQUENTIAL DAMAGES ARISING OR RESULTING FROM ANY FAILURE OR DEFECT IN ANY PRODUCT SUBJECT TO THE LIMITED WARRANTY.

**Warranty Claim Dispute Process:**

In the event claimant and Bingham & Taylor are unable to resolve a claim through informal means, the parties shall submit the dispute to the American Arbitration Association or its successor (the "Association") for arbitration under its Commercial Arbitration Rules, and any arbitration proceeding shall be conducted before a single arbitrator in Culpeper, Virginia.

NOTWITHSTANDING THE FOREGOING, NEITHER THE CLAIMANT NOR BINGHAM & TAYLOR CORP. SHALL BE ENTITLED TO ARBITRATE ANY CLAIMS AS A REPRESENTATIVE OR MEMBER OF A CLASS, AND NEITHER THE CLAIMANT NOR BINGHAM & TAYLOR SHALL BE ENTITLED TO JOIN OR CONSOLIDATE CLAIMS WITH ANY OTHER PARTIES IN ARBITRATION OR IN LITIGATION BY CLASS ACTION OR OTHERWISE.

**Miscellaneous:**

This limited warranty and any claims arising from breach of contract, breach of warranty, tort, or any other claim arising from the sale or use of Bingham & Taylor's products shall be governed and construed under the laws of the State of Virginia. Bingham & Taylor sales representatives, distributors, and contracting professionals have no express or implied authority to bind Bingham & Taylor to any agreement or warranty of any kind without the prior written consent of Bingham & Taylor.

**No Other Warranty**

THIS LIMITED WARRANTY IS THE FULL EXTENT OF THE WARRANTY PROVIDED BY BINGHAM & TAYLOR. BINGHAM & TAYLOR HEREBY DISCLAIMS ANY OTHER EXPRESS OR IMPLIED WARRANTIES, INCLUDING, WITHOUT LIMITATION, THE IMPLIED WARRANTIES OF MERCHANTABILITY AND FITNESS FOR A PARTICULAR PURPOSE.

**All shipments are made F.O.B. Shipping Point**

## TO ORDER

(540) 825-8334

[orders@bandt-us.com](mailto:orders@bandt-us.com)

## VISIT OUR WEBSITE

[www.bandt-us.com](http://www.bandt-us.com)



**BINGHAM & TAYLOR**  
*Built on Quality - Focused on Innovation*

*601 Nalle Place • Culpeper, VA 22701*