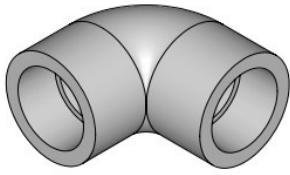
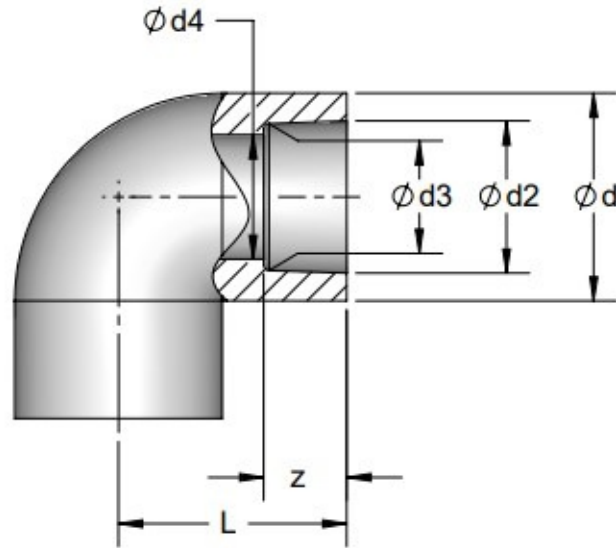


SOCKET FITTINGS 90° ELBOWS: PE2708, IPS, DR7



- Approval: ASTM D2513
- Approval: ASTM D2683
- Approval: IAPMO
- Approval: CSA B137.4 (indicated with *)

Main Size (inch)	GF Code	weight (lb)	CSA	d (inch)	d2 (inch)	d3 (inch)	d4 (inch)	z (inch)	L (inch)	Box Qty
0.5	360 002 094	0.1	*	1.20	0.81	0.80	0.69	0.66	1.31	100
0.75	360 002 096	0.1	*	1.50	1.02	1.01	0.87	0.75	1.63	100
1	360 002 100	0.2	*	1.83	1.27	1.27	1.12	0.78	1.69	60
1.25	360 002 102	0.3	*	2.27	1.62	1.61	1.44	0.95	2.09	100
1.5	360 002 104	0.4	*	2.64	1.86	1.85	1.72	0.98	2.33	70
2	360 002 106	0.7	*	3.28	2.34	2.32	2.17	1.00	2.73	50
3	360 002 108	3.4	*	5.21	3.46	3.44	3.24	1.17	4.13	8
4	360 002 110	6.2	*	6.40	4.45	4.43	4.25	1.35	5.50	8



The technical data are not binding. They neither constitute expressly warranted characteristics nor guaranteed properties nor a guaranteed durability. They are subject to modification. Our General Terms of Sale apply.

Georg Fischer Piping Systems Ltd, Postfach, CH-8201 Schaffhausen/Switzerland

Phone +41 -(0)52-631 1111

e-mail: info.ps@georgfischer.com

Internet: <http://www.gfps.com>