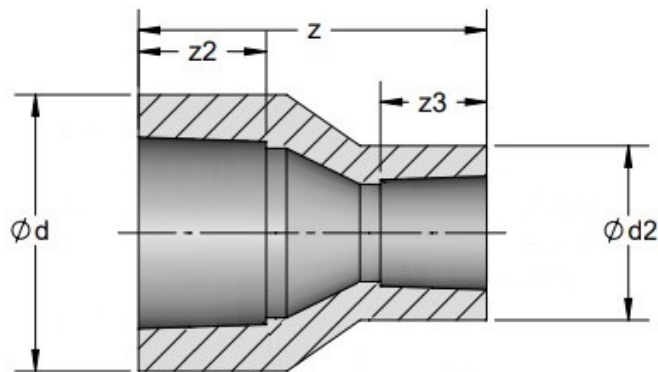


## SOCKET FITTINGS REDUCERS: PE2708, IPS x CTS



- Approval: ASTM D2513
- Approval: ASTM D2683
- Approval: CSA B137.4 (Indicated with \*)
- Approval: IAPMO (Indicated with \*)

Main Size (inch)	GF Code	weight (lb)	CSA	IAPMO	d (inch)	d2 (inch)	z (inch)	z2 (inch)	z3 (inch)	Box Qty
0.5 x 0.5	<b>360 002 150</b>	0.4		*	0.81	0.80	1.83	0.65	0.68	100
0.75 x 0.5	<b>360 002 153</b>	0.0	*	*	1.02	1.01	1.85	0.72	0.65	100
1 x 0.5	<b>360 002 161</b>	0.1	*	*	1.27	1.27	2.09	0.76	0.63	100
1 x 1	<b>360 002 166</b>	0.1	*	*	1.27	1.27	1.98	0.74	0.70	100
1.25 x 0.5	<b>360 022 748</b>	0.1			2.27	1.09	2.30	1.02	0.75	100
1.25 x 1	<b>360 002 171</b>	0.1	*	*	1.62	1.61	2.18	0.96	0.88	100
2 x 1	<b>360 094 656</b>	0.3			2.34	2.32	2.52	1.00	0.75	100



The technical data are not binding. They neither constitute expressly warranted characteristics nor guaranteed properties nor a guaranteed durability. They are subject to modification. Our General Terms of Sale apply.

Georg Fischer Piping Systems Ltd, Postfach, CH-8201 Schaffhausen/Switzerland

Phone +41 -(0)52-631 1111

e-mail: [info.ps@georgfischer.com](mailto:info.ps@georgfischer.com)

Internet: <http://www.gfps.com>