

## Operating Procedures for Test Plug Lifting Fixture (26" - 48")

### FOR USE WITH TP-LIFT-GT-26-36 AND 38-48

#### WARNING

- ⚠ This Test Plug Lifting Fixture is designed for use with 26" thru 48" GripTight® products. Do not use the Test Plug Lifting Fixture to lift any other objects.
- ⚠ Test Plugs can be extremely heavy. Use caution when maneuvering any Test Plug while attached to the lifting fixture. Never lift any Test Plug heavier than the Test Plug Lifting Fixture is rated for (See table1). Never position body or extremities under a suspended plug.
- ⚠ Observe industry standard and site specific best lifting and rigging practices at all times.
- ⚠ This Test Plug Lifting Fixture to be used on horizontal installations only.

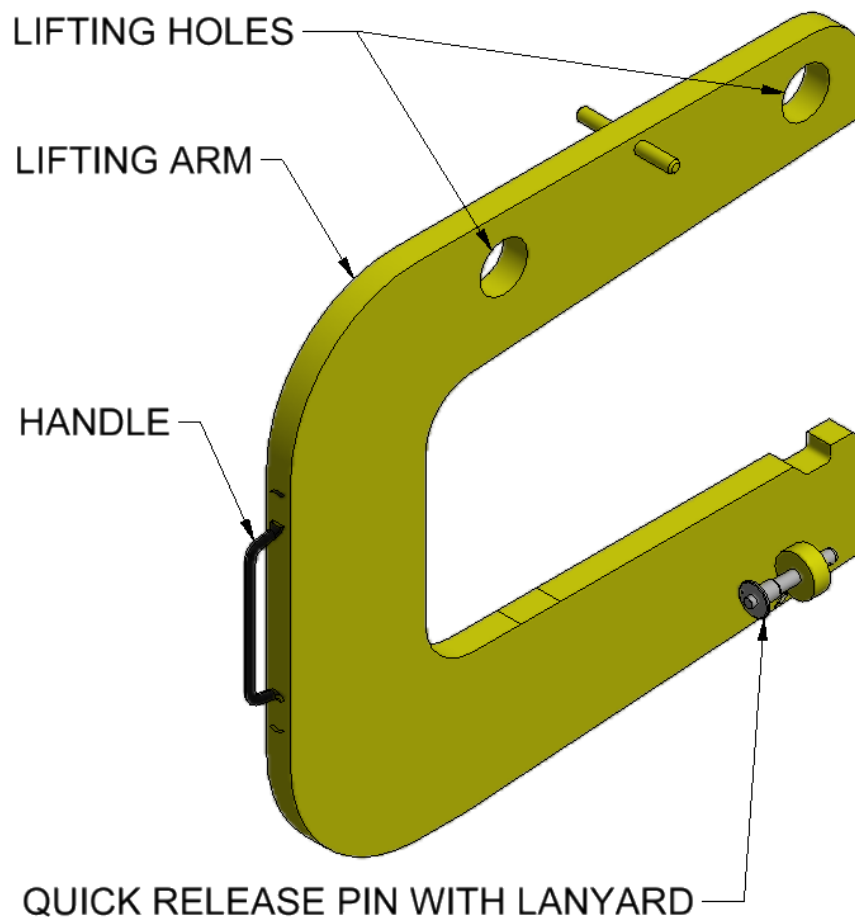


Figure 1: TP-LIFT-GT-XXXX

### PROCEDURES FOR USE

Use this procedure to attach the Lifting Fixture to your Test Plug and safely insert it into the pipe to be tested.

**Questions?** Contact EST Group Customer Service at any of the following locations.

**CURTISS-  
WRIGHT**

EST Group  
[www.cw-estgroup.com](http://www.cw-estgroup.com)

**North, Central & South America**

EST Group Corporate Office  
2701 Township Line Road  
Hatfield, PA 19440-1770 USA  
P: +1.215.721.1100  
+1.800.355.7044  
F: +1.215.721.1101  
[est-info@curtisswright.com](mailto:est-info@curtisswright.com)

**Europe / Middle East / Africa**

EST Group B.V.  
Hoom 312a  
2404 HL Alphen aan den Rijn  
The Netherlands  
P: +31.172.418841  
F: +31.172.418849  
[est-emea@curtisswright.com](mailto:est-emea@curtisswright.com)

**China**

P +86.400.636.5077  
[est-china@curtisswright.com](mailto:est-china@curtisswright.com)

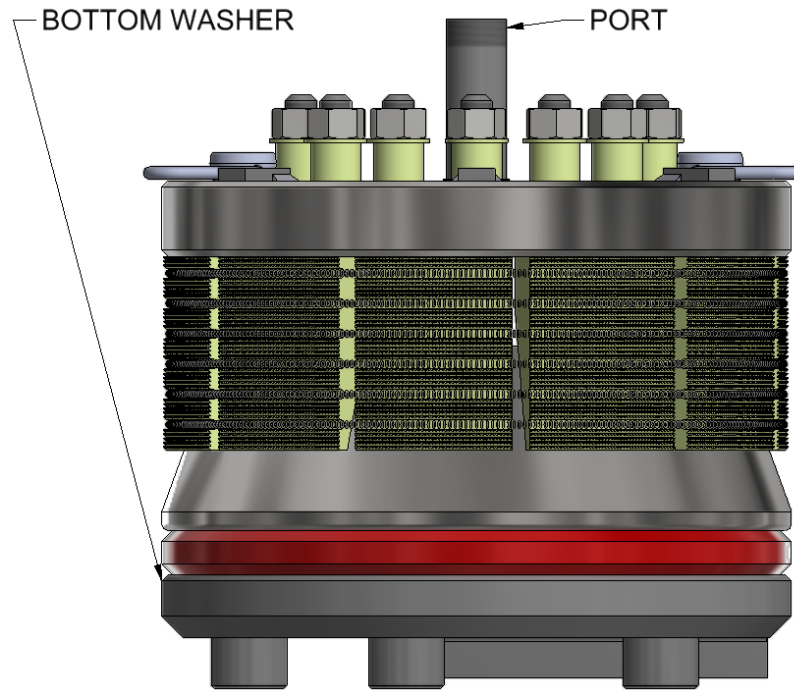
**Singapore**

P +65.3158.5052  
[est-asia@curtisswright.com](mailto:est-asia@curtisswright.com)

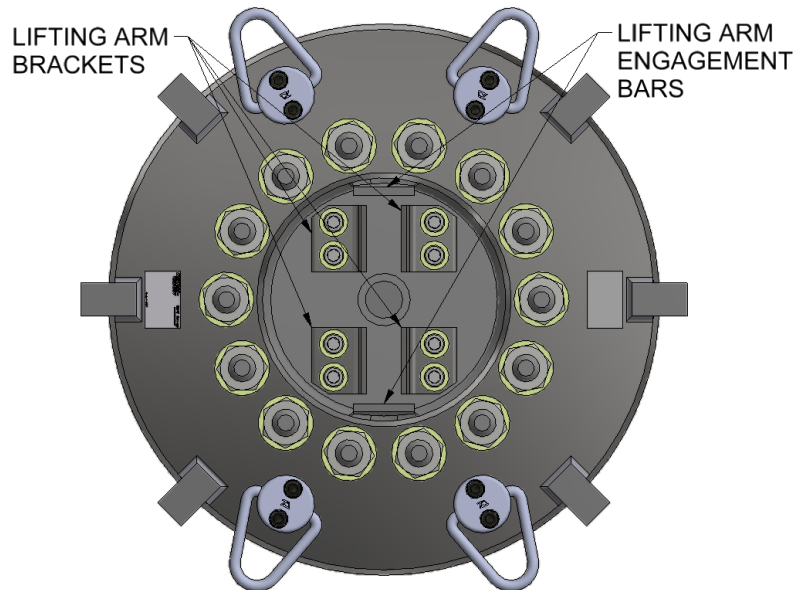
©2018 Curtiss-Wright

**Step/Action****Additional Action/Information/Result**

1. GripTight Test Plugs are generally shipped and stored so the Bottom Washer is down, and the Port is facing up. These instructions depict the GripTight Test Plug in this orientation. The TP-LIFT-GT-XXXX may be installed if the GripTight Test Plug is laying on its side. Care must always be taken while handling the TP-LIFT-XXXX to ensure technicians maintain safe practices, avoid pinch points, and observe safe material handling and lifting practices.



2. Prepare the Lifting Fixture for attachment to the Test Plug. Inspect the Lifting Fixture and all associated hardware for signs of excessive wear or other damage (cracks or bends). Check the Quick Release Pin and make sure it functions correctly and is not damaged. Inspect the GripTight Test Plug, particularly the Lifting Arm Brackets and Lifting Arm Engagement Bars. Ensure the Brackets are securely fastened and the Engagement Bars are not damaged.



**Questions?** Contact EST Group Customer Service at any of the following locations.

**CURTISS-  
WRIGHT**

EST Group  
[www.cw-estgroup.com](http://www.cw-estgroup.com)

**North, Central & South America**  
EST Group Corporate Office  
2701 Township Line Road  
Hatfield, PA 19440-1770 USA  
P: +1.215.721.1100  
+1.800.355.7044  
F: +1.215.721.1101  
[est-info@curtisswright.com](mailto:est-info@curtisswright.com)

**Europe / Middle East / Africa**  
EST Group B.V.  
Hoorn 312a  
2404 HL Alphen aan den Rijn  
The Netherlands  
P: +31.172.418841  
F: +31.172.418849  
[est-emea@curtisswright.com](mailto:est-emea@curtisswright.com)

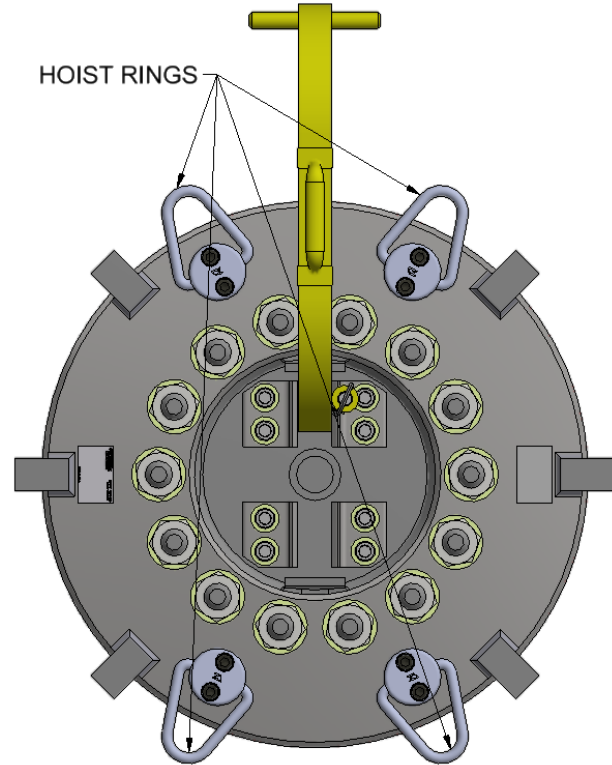
**China**  
P +86.400.636.5077  
[est-china@curtisswright.com](mailto:est-china@curtisswright.com)

**Singapore**  
P +65.3158.5052  
[est-asia@curtisswright.com](mailto:est-asia@curtisswright.com)

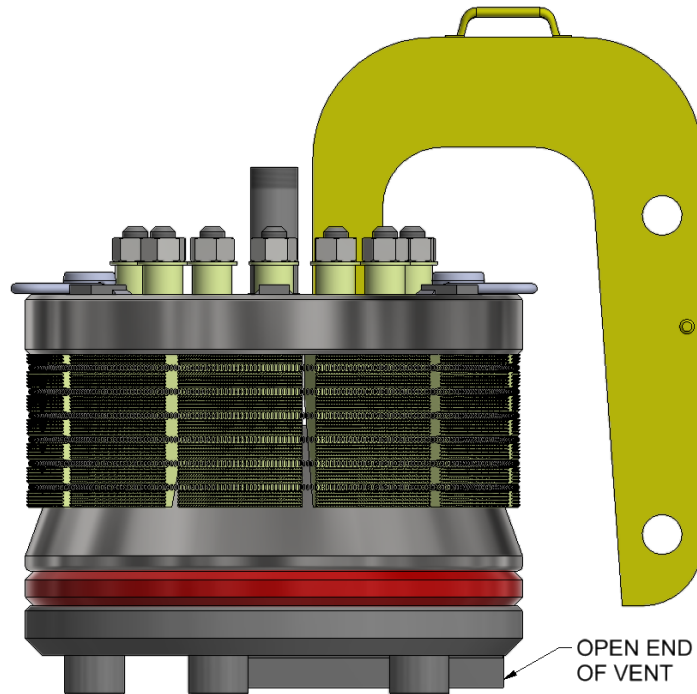
©2018 Curtiss-Wright

**Step/Action****Additional Action/Information/Result**

3. Position the Lifting Fixture inside the plug. Place the Lifting Fixture between the two Lifting Arm Brackets. Pay attention to the orientation of the Vent on the GripTight Test Plug. The Vent opening should face up if air is to be displaced from the pipe system through the GripTight Test Plug port during filling the pipe with the test medium. It will aid in displacing as much air as possible.



4. The Vent open end should face down if the test medium will be “siphoned” out of the system through the GripTight Test Plug port for recycling, reuse, etc. Position the Lifting Fixture in the appropriate orientation to facilitate installing in the desired orientation. The Lifting Fixture is shown in an orientation that would place the open end of the Vent up to facilitate displacing and venting air from the test pipe.



**Questions?** Contact EST Group Customer Service at any of the following locations.

**CURTISS-  
WRIGHT**

EST Group  
[www.cw-estgroup.com](http://www.cw-estgroup.com)

**North, Central & South America**  
EST Group Corporate Office  
2701 Township Line Road  
Hatfield, PA 19440-1770 USA  
P: +1.215.721.1100  
+1.800.355.7044  
F: +1.215.721.1101  
[est-info@curtisswright.com](mailto:est-info@curtisswright.com)

**Europe / Middle East / Africa**  
EST Group B.V.  
Hoon 312a  
2404 HL Alphen aan den Rijn  
The Netherlands  
P: +31.172.418841  
F: +31.172.418849  
[est-emea@curtisswright.com](mailto:est-emea@curtisswright.com)

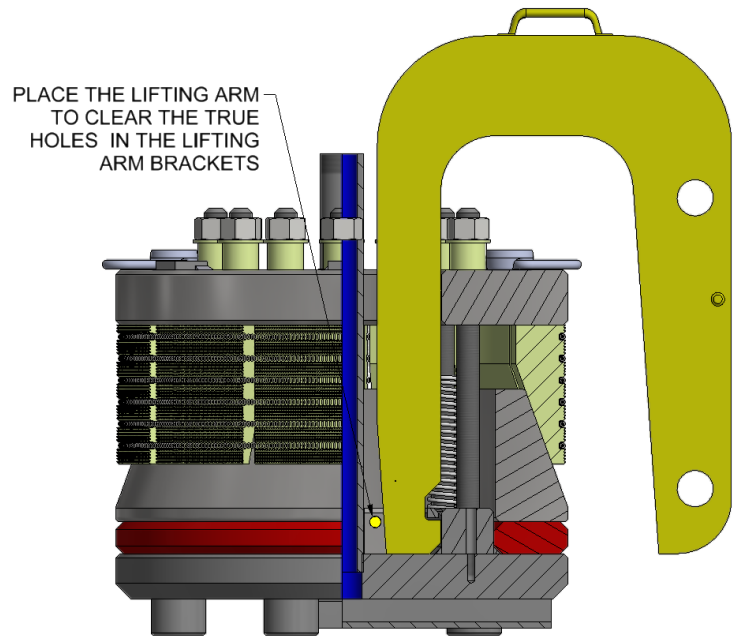
**China**  
P +86.400.636.5077  
[est-china@curtisswright.com](mailto:est-china@curtisswright.com)

**Singapore**  
P +65.3158.5052  
[est-asia@curtisswright.com](mailto:est-asia@curtisswright.com)

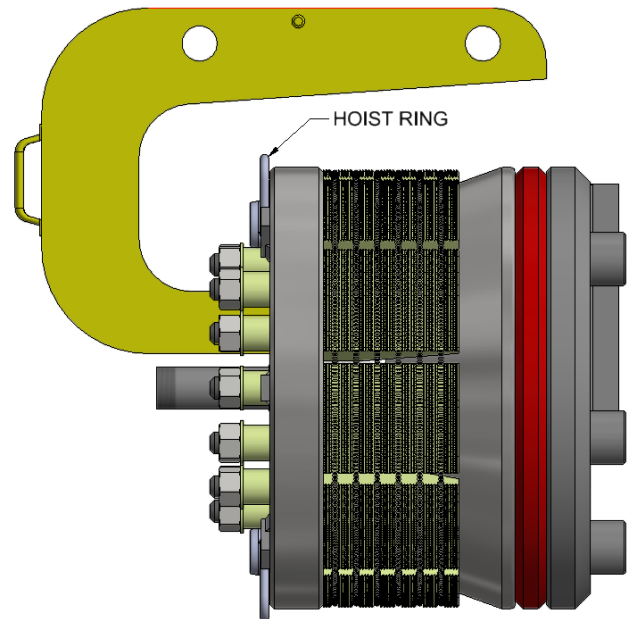
©2018 Curtiss-Wright

**Step/Action****Additional Action/Information/Result**

5. Place the Lifting Fixture to clear the true holes in the Lifting Arm Brackets. Insert the Quick Release Pin through all of the parts. Release the quick release and check to make sure the Quick Release Pin is secure and cannot fall out.



6. If the plug is resting on its Bottom Washer, use the Hoist Rings adjacent to the Lifting Fixture to pick the plug up and reposition it so it is sitting on its side. Take care to prevent the plug from rolling.



**WARNING: DO NOT USE THE LIFTING FIXTURE FOR REPOSITIONING PLUG FROM VERTICAL TO HORIZONTAL, ONLY USE HOIST RINGS.**

7. Connect the lifting mechanism (hoist, lift, crane, etc.) to the Lifting Holes on the Lifting Fixture.
- Use of a load-leveling device may be required to help level the GripTight Test Plug and ease installation into the pipe end.
  - Follow all heavy lifting safe practices.
  - Lift slowly and carefully observe the GripTight Test Plug and Test Plug Lifting Fixture during the lift.

**Questions?** Contact EST Group Customer Service at any of the following locations.

**CURTISS-  
WRIGHT**

EST Group  
[www.cw-estgroup.com](http://www.cw-estgroup.com)

**North, Central & South America**  
EST Group Corporate Office  
2701 Township Line Road  
Hatfield, PA 19440-1770 USA  
P: +1.215.721.1100  
+1.800.355.7044  
F: +1.215.721.1101  
[est-info@curtisswright.com](mailto:est-info@curtisswright.com)

**Europe / Middle East / Africa**  
EST Group B.V.  
Hoorn 312a  
2404 HL Alphen aan den Rijn  
The Netherlands  
P: +31.172.418841  
F: +31.172.418849  
[est-emea@curtisswright.com](mailto:est-emea@curtisswright.com)

**China**  
P +86.400.636.5077  
[est-china@curtisswright.com](mailto:est-china@curtisswright.com)

**Singapore**  
P +65.3158.5052  
[est-asia@curtisswright.com](mailto:est-asia@curtisswright.com)

©2018 Curtiss-Wright

Step/Action	Additional Action/Information/Result
8. Carefully maneuver the GripTight Test Plug into the pipe end. The GripTight Test Plug should be fully inserted into the pipe so the Positioning Tabs touch the pipe end.	<ul style="list-style-type: none"> <li>Take care to not lift the GripTight Test Plug after it has been inserted into the pipe end. Lifting the GripTight Test Plug against the pipe and applying an excessive load may damage the GripTight Test Plug, Test Plug Lifting Fixture, or the pipe being tested.</li> </ul>
9. The Lifting Fixture may have to be removed to access and tighten all of the Hex Nuts on the GripTight Test Plug. Release the Quick Disconnect Pin and remove it from the Lifting Fixture and Lifting Arm Brackets so the Lifting Fixture can be removed.	<ul style="list-style-type: none"> <li>Tightening some of the Hex Nuts prior to removing the Lifting Fixture can help keep the GripTight Test Plug in place.</li> <li>Refer to the instructions included with the GripTight Test Plug, specifically the sections about applying torque and torque specifications.</li> <li>Tightening the Hex Nuts on the bottom (6 o'clock position) of the GripTight Test Plug can help center the plug within the pipe.</li> </ul>
10. Install the GripTight Test Plug.	<ul style="list-style-type: none"> <li>Carefully follow the instructions included with the GripTight Test Plug.</li> </ul>
11. After the test is complete and the GripTight Test Plug is ready to be removed, reattach the Lifting Fixture to the GripTight Test Plug and carefully remove the GripTight Test Plug from the pipe.	<ul style="list-style-type: none"> <li>Uninstall the GripTight Test Plug in accordance with its supplied instructions.</li> <li>Carefully lift the GripTight Test Plug to withdraw it from the pipe.</li> <li>Care must be taken to not apply excessive lifting force while the Test Plug is still within the open pipe end. This will cause the Test Plug to contact the inside top of the pipe and can apply excessive force to the Test Plug and Lifting Fixture.</li> </ul>
12. Carefully set the plug down on its side.	<ul style="list-style-type: none"> <li>If the plug is going to be returned to the standard shipping and storage orientation, use the Hoist Rings, not the Lifting Fixture, to maneuver the plug back into place.</li> </ul>
13. Remove the Lifting Fixture and store along with these instructions.	<ul style="list-style-type: none"> <li>Following each use, carefully inspect the Lifting Fixture and other related components for wear or damage.</li> </ul>

**TABLE 1: TEST PLUG LIFTING FIXTURE MAX LIFTING CAPACITY**

PART NUMBER	PLUG SIZE	MAX LIFTING CAPACITY
TP-LIFT-GT-2636	26" - 36"	3500 LBS
TP-LIFT-GT-3848	38" - 48"	6500 LBS

**Questions?** Contact EST Group Customer Service at any of the following locations.



EST Group  
[www.cw-estgroup.com](http://www.cw-estgroup.com)

**North, Central & South America**  
**EST Group Corporate Office**  
 2701 Township Line Road  
 Hatfield, PA 19440-1770 USA  
 P: +1.215.721.1100  
 +1.800.355.7044  
 F: +1.215.721.1101  
[est-info@curtisswright.com](mailto:est-info@curtisswright.com)

**Europe / Middle East / Africa**  
**EST Group B.V.**  
 Hoorn 312a  
 2404 HL Alphen aan den Rijn  
 The Netherlands  
 P: +31.172.418841  
 F: +31.172.418849  
[est-emea@curtisswright.com](mailto:est-emea@curtisswright.com)

**China**  
 P +86.400.636.5077  
[est-china@curtisswright.com](mailto:est-china@curtisswright.com)

**Singapore**  
 P +65.3158.5052  
[est-asia@curtisswright.com](mailto:est-asia@curtisswright.com)

©2018 Curtiss-Wright